



## 电流负载能力 / Current carrying capacity

电流负载能力所受的限制主要来自包含接插针的接插体可承受的最大温度。

测试和控制过程依据DINIEC 60512-5。

The current carrying is limited by maximum temperature of materials for inserts and contacts including terminals.

Control and test procedures according to DIN IEC 60512-5.

## 规范 / Specifications

DIN VDE 0627  
DIN VDE 0110

## 插接体 / Inserts

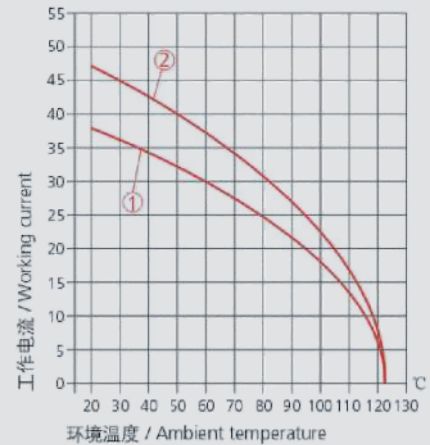
接插件针数/Number of contacts	4,6,12(2x6)+PE
工作电流/Working current (见负载图/See current carrying capacity)	35A max.
工作电压/Working voltage	690V
测试电压/Test voltage Urms	6KV
污染等级/Pollution degree	3(C)
隔离电阻/Insulation resistance	$\geq 10^{10} \Omega$
材料/Material	聚碳酸酯 Polyamide
工作温度范围/Temperature range	-40°C...+100°C/125°C
阻燃等级(UL94)Flammability acc.to (UI94)	V0
据UL/CSA工作电压Working voltage acc.to UL/CSA	600V
可拔插次数/Mechanical working life(mating cycles)	$\geq 500$

## 接插针 / Contacts

材料/Material	铜/Copper alloy
表面处理/Surface	镀银/Hard silver-plated
接触电阻/Contact resistance	$\leq 1m \Omega$
接线形式/Terminal -mm <sup>2</sup> -AWG	螺钉压接/Screw terminal 6mm <sup>2</sup> 10
拧紧力矩/测试力矩Tightening/test torque	1.2Nm

## 金属上壳/底座 Hoods/Housings

材料/Material	铸铝合金/Die cast aluminium
表面处理/Surface	高温粉末镀层,灰色 Powder-coated, RAL 7037
锁定装置/Locking element	不锈钢或铁镀锌 Stainless steel, steel-zinc plated
工作温度范围/Temperature range	-40°C...+125°C
防护等级/Degree of protection acc.to DIN40 050	IP65



①线径/Wire gauge: 4mm<sup>2</sup>

②线径/Wire gauge: 6mm<sup>2</sup>

# GSBS-004接插体 / GSBS-004 inserts



芯件适配用G6B外壳  
inserts suit for G6B hoods/housing

690V 35A

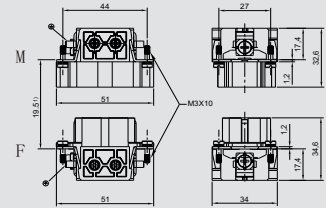
4+

## 螺钉压接/Screw terminal

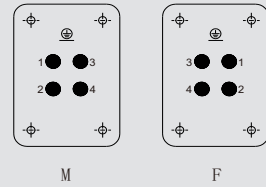


插芯/Inserts	型号/Type	订货号/Part Number
公 Male	GSBS-004-M	
母 Female	GSBS-004-F	

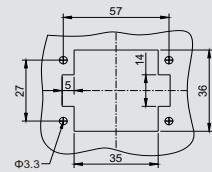
1) 接插体之间的最大距离21mm  
1) Distance for contact max.21mm



接插针排序  
Contacts arrangement view from termination side



面板安装开孔图  
Panel cut out for inserts for use without Hoods/housings



# G6B带单扣外壳 / G6B with 1 lever on the hoods/housings



底部外壳安装开孔尺寸/Housing mounting dimensions PAGE/390  
 防护等级 Degree of protection : IP65

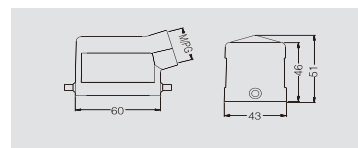
表面粉末镀层, RAL 7037 / Powder-coated, RAL 7037

## 上壳 / Hoods

侧面进线: Side entry



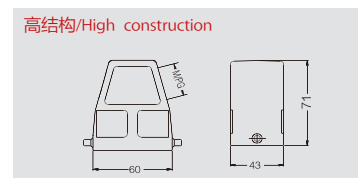
螺纹 Thread	型号/Type	订货号 /Part Number
PG13.5	G6B-TS-RO-PG13.5	
PG16	G6B-TS-RO-PG16	
M20	G6B-TS-RO-M20	
M25	G6B-TS-RO-M25	



侧面进线: Side entry



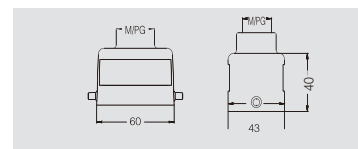
螺纹 Thread	型号/Type	订货号 /Part Number
高结构/High construction		
PG21	G6B-TSH-RO-PG21	
PG29	G6B-TSH-RO-PG29	
M25	G6B-TSH-RO-M25	
M32	G6B-TSH-RO-M32	



顶部进线: Top entry



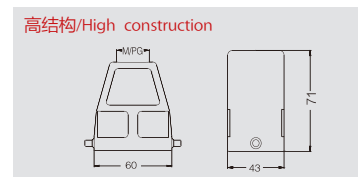
螺纹 Thread	型号/Type	订货号 /Part Number
PG13.5	G6B-TG-RO-PG13.5	
PG16	G6B-TG-RO-PG16	
M20	G6B-TG-RO-M20	
M25	G6B-TG-RO-M25	



顶部进线: Top entry



螺纹 Thread	型号/Type	订货号 /Part Number
高结构/High construction		
PG21	G6B-TGH-RO-PG21	
PG29	G6B-TGH-RO-PG29	
M25	G6B-TGH-RO-M25	
M32	G6B-TGH-RO-M32	

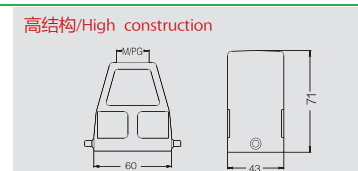


上壳侧出线/顶出线  
 Hoods,side&top entry,high construction



我司可提供顶部、侧面同时出线的非标品  
 We can provide non-standard products with both top&side entry

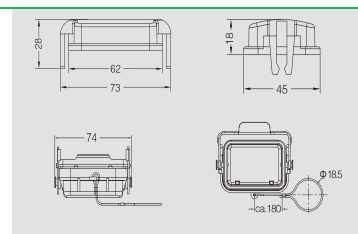
型号为:G6B-TSH/TGH-RO-XX/XX  
 如有需要请与我司联系



上壳保护盖 Protection covers for hoods



螺纹 Thread	型号/Type	订货号 /Part Number
	G6B-KDT	
带金属保护盖/With protection cover		
	G6B-KDT-LA	

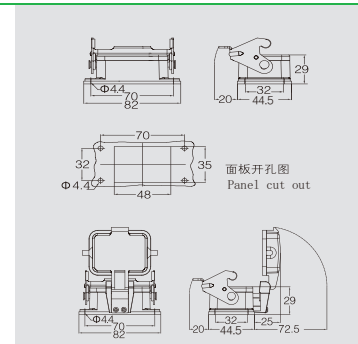


## 下壳底座 / Housings

外壳底座: 开孔安装  
 Bulkhead mounted: Bottom entry



螺纹 Thread	型号/Type	订货号 /Part Number
	G6B-AG-LB	
带保护盖/With protection cover		
	G6B-AD-LB	
带金属保护盖/With protection cover		
	G6B-AD-LB-LA	



# G6B带单扣外壳 / G6B with 1 lever on the hoods/housings



底部外壳安装开孔尺寸/Housing mounting dimensions PAGE/390

表面粉末镀层, RAL 7037 / Powder-coated, RAL 7037

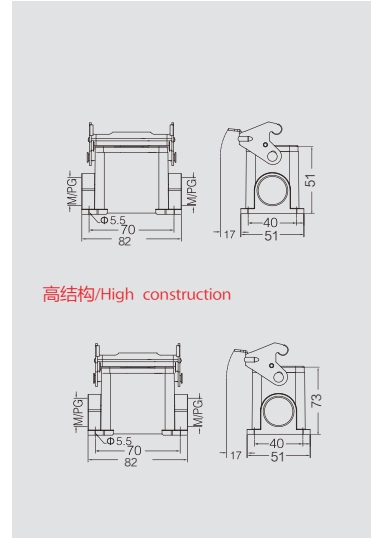
防护等级 Degree of protection : IP65

## 下壳底座 / Housings

外壳底座: 表面安装  
Surface mounted: Side entry



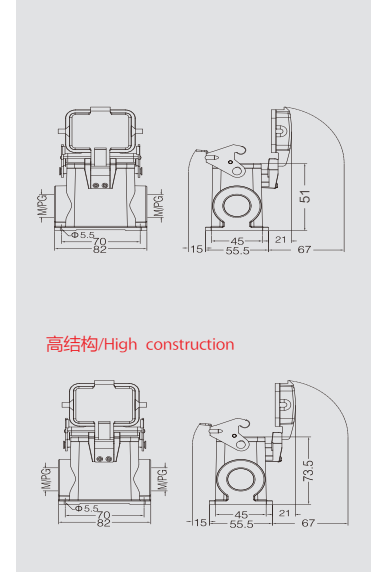
螺纹 Thread	型号/Type	订货号 /Part Number
<b>1个进线孔1 side entry</b>		
PG13.5	G6B-SGR-LB-PG13.5	
PG16	G6B-SGR-LB-PG16	
M20	G6B-SGR-LB-M20	
M25	G6B-SGR-LB-M25	
<b>2个进线孔2 side entry</b>		
2PG13.5	G6B-SGR-LB-2PG13.5	
2PG16	G6B-SGR-LB-2PG16	
2M20	G6B-SGR-LB-2M20	
2M25	G6B-SGR-LB-2M25	
<b>高结构/High construction</b>		
PG21	G6B-SGRH-LB-PG21	
PG29	G6B-SGRH-LB-PG29	
M32	G6B-SGRH-LB-M32	
<b>2个进线孔2 side entry</b>		
2PG21	G6B-SGRH-LB-2PG21	
2PG29	G6B-SGRH-LB-2PG29	
2M32	G6B-SGRH-LB-2M32	



外壳底座: 表面安装  
Surface mounted: Side entry



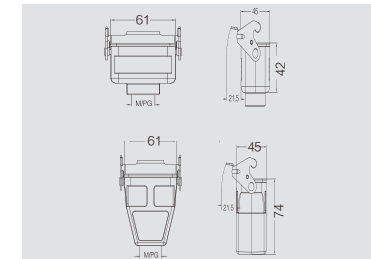
螺纹 Thread	型号/Type	订货号 /Part Number
<b>带保护盖/With protection cover</b>		
<b>1个进线孔1 side entry</b>		
PG13.5	G6B-SDR-LB-PG13.5	
PG16	G6B-SDR-LB-PG16	
M20	G6B-SDR-LB-M20	
M25	G6B-SDR-LB-M25	
<b>2个进线孔2 side entry</b>		
PG13.5	G6B-SDR-LB-2PG13.5	
PG16	G6B-SDR-LB-2PG16	
M20	G6B-SDR-LB-2M20	
M25	G6B-SDR-LB-2M25	
<b>高结构/High construction</b>		
PG21	G6B-SDRH-LB-PG21	
PG29	G6B-SDRH-LB-PG29	
M32	G6B-SDRH-LB-M32	
<b>2个进线孔2 side entry</b>		
2PG21	G6B-SGRH-LB-2PG21	
2PG29	G6B-SGRH-LB-2PG29	
2M32	G6B-SGRH-LB-2M32	



电缆对接外壳 Cable-to-cable hood



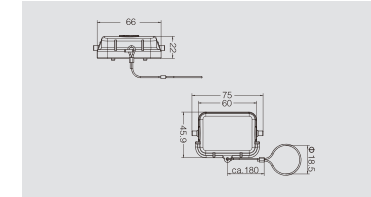
螺纹 Thread	型号/Type	订货号 /Part Number
PG16	G6B-TBF-LB-PG16	
M20	G6B-TBF-LB-M20	
<b>高结构/High construction</b>		
PG16	G6B-TBFH-LB-PG16	
PG29	G6B-TBFH-LB-PG29	
M25	G6B-TBFH-LB-M25	
M32	G6B-TBFH-LB-M32	



底座保护盖 Housing protection cover



螺纹 Thread	型号/Type	订货号 /Part Number
	G6B-KDB	
	<b>金属盖/用于上壳 For hoods</b>	
	G6B-KDB-LA-1	
	<b>金属盖/用于下壳 For housings</b>	
	G6B-KDB-LA-2	



# G6B耐腐蚀单扣外壳 /G6B with 1lever on the hoods/housings



底部外壳安装开孔尺寸/Housing mounting dimensions PAGE/390

表面粉末镀层, RAL 9005 / Powder-coated, RAL 9005

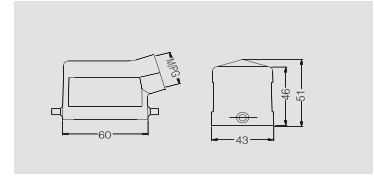
防护等级 Degree of protection : IP65

## 上壳 / Hoods

侧面进线 Side entry



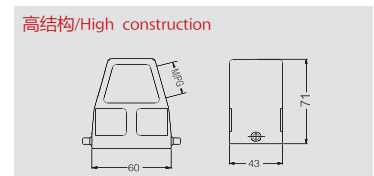
螺纹 Thread	型号/Type	订货号 /Part Number
PG13.5	G6B-TS-RO-M-PG13.5	
PG16	G6B-TS-RO-M-PG16	
M20	G6B-TS-RO-M-M20	



侧面进线 Side entry



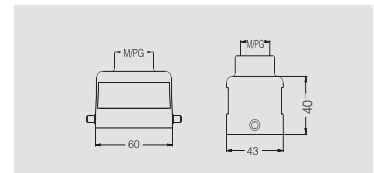
螺纹 Thread	型号/Type	订货号 /Part Number
	<b>高结构/High construction</b>	
M25	G6B-TSH-RO-M-M25	
M32	G6B-TSH-RO-M-M32	



顶部进线 Top entry



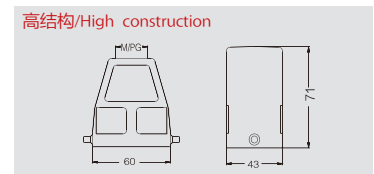
螺纹 Thread	型号/Type	订货号 /Part Number
PG13.5	G6B-TG-RO-M-PG13.5	
PG16	G6B-TG-RO-M-PG16	
M20	G6B-TG-RO-M-M20	



顶部进线 Top entry



螺纹 Thread	型号/Type	订货号 /Part Number
PG21	G6B-TGH-RO-M-PG21	
PG29	G6B-TGH-RO-M-PG29	
M25	G6B-TGH-RO-M-M25	
M32	G6B-TGH-RO-M-M32	

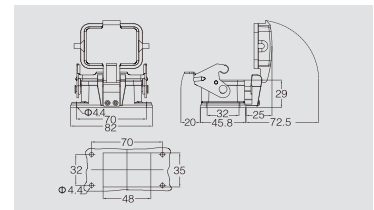


## 下壳底座 / Housings

外壳底座: 开孔安装  
Bulkhead mounted housing



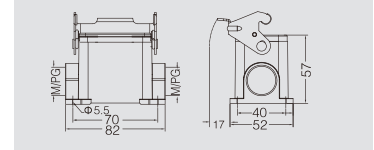
螺纹 Thread	型号/Type	订货号 /Part Number
	G6B-AG-LB-M	
	<b>带保护盖/With protection cover</b>	
	G6B-AD-LB-M	
	<b>带金属保护盖With protection cover</b>	
	G6B-AD-LB-LA-M	



外壳底座: 表面安装  
Surface mounted: Side entry



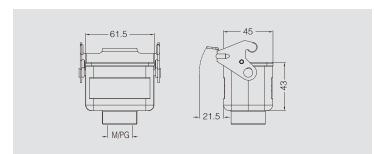
螺纹 Thread	型号/Type	订货号 /Part Number
	<b>2个进线孔2 side entry</b>	
2PG16	G6B-SGR-LB-M-2PG16	
2M20	G6B-SGR-LB-M-2M20	



电缆对接外壳 Cable-to-cable hood



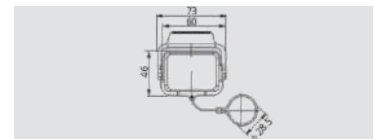
螺纹 Thread	型号/Type	订货号 /Part Number
PG13.5	G6B-TBF-LB-M-PG16	



底座保护盖 Housing protection cover



螺纹 Thread	型号/Type	订货号 /Part Number
	<b>金属保护盖With protection cover</b>	
	G6B-KDT-LA-M	



# GSB-004接插体 / GSB-004 inserts



芯件适配用G10B外壳  
nserts suit for G6B hoods/housing

690V 35A

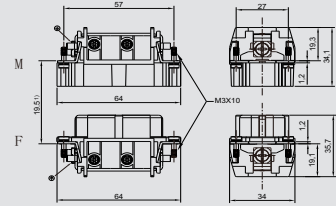
4+

## 螺钉压接/Screw terminal

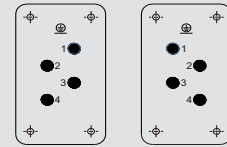


插芯/Inserts	型号/Type	订货号/Part Number
公 Male	GSB-004-M	
母 Female	GSB-004-F	

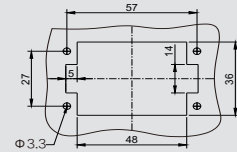
1) 接插体之间的最大距离21mm  
1) Distance for contact max.21mm



接插针排序  
Contacts arrangement view from termination side



面板安装开孔图  
Panel cut out for inserts for use without Hoods/housings



# G10B带双扣外壳 / G10B with 2 lever on the hoods/housings



底部外壳安装开孔尺寸/Housing mounting dimensions PAGE/390

表面粉末镀层, RAL 7037 / Powder-coated, RAL 7037

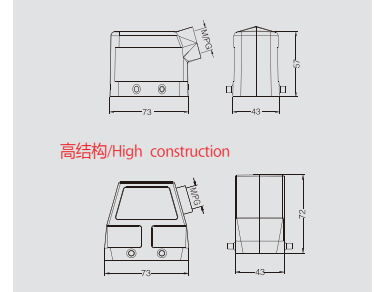
防护等级 Degree of protection : IP65

## 上壳 / Hoods

### 侧面进线 Side entry



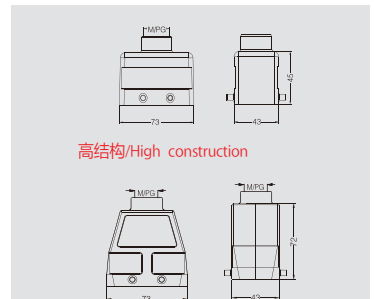
螺纹 Thread	型号/Type	订货号 /Part Number
PG16	G10B-TS-PG16	
M20	G10B-TS-M20	
M25	G10B-TS-M25	
高结构/High construction		
PG21	G10B-TSH-PG21	
PG29	G10B-TSH-PG29	
M25	G10B-TSH-M25	
M32	G10B-TSH-M32	



### 顶部进线 Top entry



螺纹 Thread	型号/Type	订货号 /Part Number
PG16	G10B-TG-PG16	
M20	G10B-TG-M20	
M25	G10B-TG-M25	
高结构/High construction		
PG21	G10B-TGH-PG21	
PG29	G10B-TGH-PG29	
M25	G10B-TG H-M25	
M32	G10B-TGH-M32	

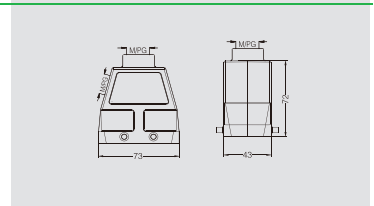


### 上壳侧出线/顶出线 Hoods, side & top entry, high construction



我司可提供顶部、侧面同时出线的非标品  
We can provide non-standard products with both top & side entry

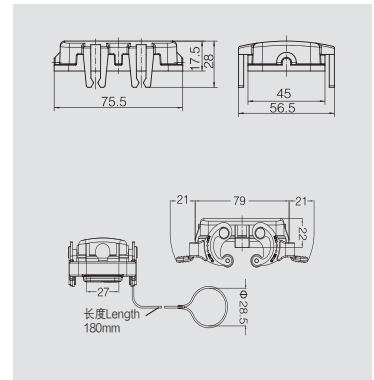
型号为:G10-TSH/TGH-PG/M 如有需要请与我司联系



### 上壳保护盖 Protection covers for hoods



螺纹 Thread	型号/Type	订货号 /Part Number
	G10B-KDT	
带金属保护盖 /With protection cover		
	金属盖/用于上壳 For hoods	G10B-KD T-LA-1
金属盖/用于下壳 For housings		
		G10B-KD T-LA-2

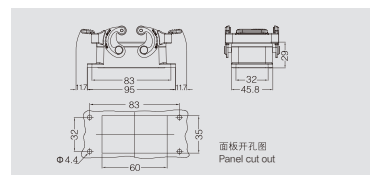


## 下壳底座 / Housings

### 外壳底座: 开孔安装 Bulkhead mounted



螺纹 Thread	型号/Type	订货号 /Part Number
	G10B-AG	





# G10B带双扣外壳 / G10B with 2 lever on the hoods/housings

底部外壳安装开孔尺寸/Housing mounting dimensions PAGE/390

表面粉末镀层, RAL 7037 / Powder-coated, RAL 7037

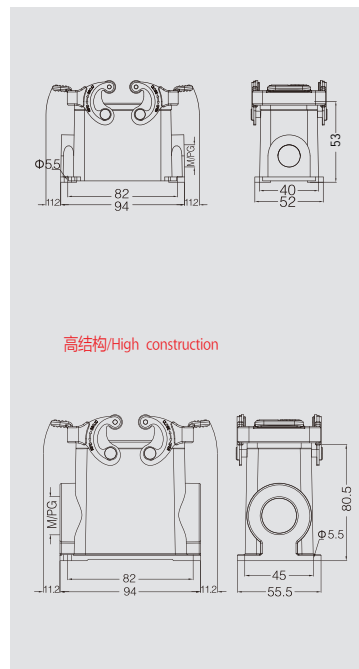
防护等级 Degree of protection : IP65

## 下壳底座 / Housings

外壳底座: 表面安装  
Surface mounted: Side entry



螺纹 Thread	型号/Type	订货号 /Part Number
1个进线孔 1 side entry		
PG16	G10B-SGR-PG16	
M20	G10B-SGR-M20	
M25	G10B-SGR-M25	
2个进线孔 2 side entry		
PG16	G10B-SGR-2PG16	
M20	G10B-SGR-2M20	
M25	G10B-SGR-2M25	
高结构/High construction		
1个进线孔 1 side entry		
PG21	G10B-SGRH-PG21	
PG29	G10B-SGRH-PG29	
M32	G10B-SGRH-M32	
2个进线孔 2 side entry		
PG21	G10B-SGRH-2PG21	
PG29	G10B-SGRH-2PG29	
M32	G10B-SGRH-2M32	

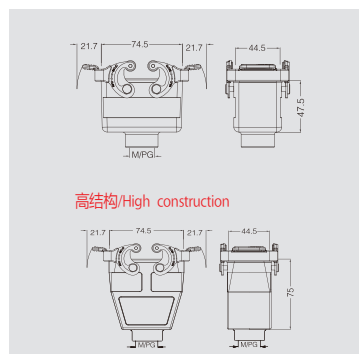


高结构/High construction

## 电缆对接下壳 Cable-to-cable hood



螺纹 Thread	型号/Type	订货号 /Part Number
PG16	G10B-TBF-PG16	
M20	G10B-TBF-M20	
M25	G10B-TBF-M25	
高结构/High construction		
PG21	G10B-TBFH-PG21	
PG29	G10B-TBFH-PG29	
M25	G10B-TBFH-M25	
M32	G10B-TBFH-M32	

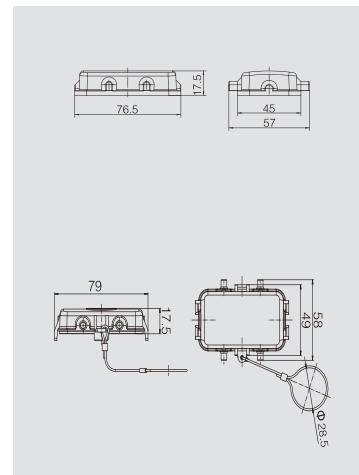


高结构/High construction

## 底座保护盖 Housing protection cover



螺纹 Thread	型号/Type	订货号 /Part Number
	G10B-KDB	
带金属保护盖 /With protection cover		
—	金属盖/用于上壳 For hoods	
	G10B-KDB-LA-1	
金属盖/用于下壳 For housings		
	G10B-KDB-LA-2	



# G10B带双扣外壳 / G10B with 2 lever on the hoods/housings



底部外壳安装开孔尺寸/Housing mounting dimensions PAGE/390

表面粉末镀层, RAL 7037 / Powder-coated, RAL 7037

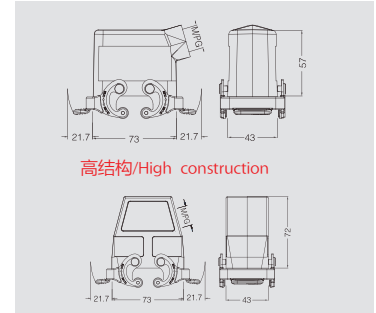
防护等级 Degree of protection : IP65

## 上壳 / Hoods

侧出带双扣上壳  
Side entry housing with two levers



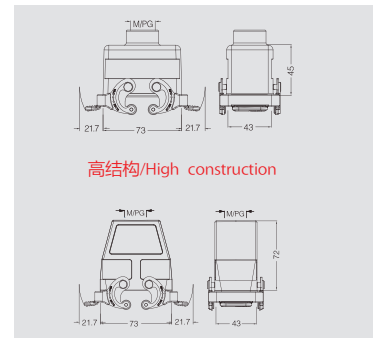
螺纹 Thread	型号/Type	订货号 /Part Number
PG16	G10B-TSB-PG16	
M20	G10B-TSB-M20	
M25	G10B-TSB-M25	
<b>高结构/High construction</b>		
PG21	G10B-TSBH-PG21	
PG29	G10B-TSBH-PG29	
M25	G10B-TSBH-M25	
M32	G10B-TSBH-M32	



顶出带双扣上壳 Top entry housing with two levers



螺纹 Thread	型号/Type	订货号 /Part Number
PG16	G10B-TGB-PG16	
M20	G10B-TGB-M20	
M25	G10B-TGB-M25	
<b>高结构/High construction</b>		
PG21	G10B-TGBH-PG21	
PG29	G10B-TGBH-PG29	
M25	G10B-TGBH-M25	
M32	G10B-TGBH-M32	

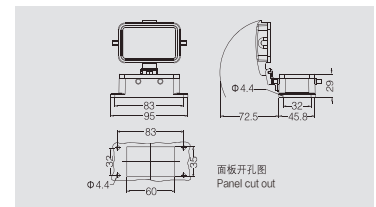


## 下壳底座 / Housings

带盖开孔底座 Bulkhead mounting



螺纹 Thread	型号/Type	订货号 /Part Number
	G10B-AG-BO	
<b>带保护盖/ith protection cover</b>		
	G10B-AD-BO	

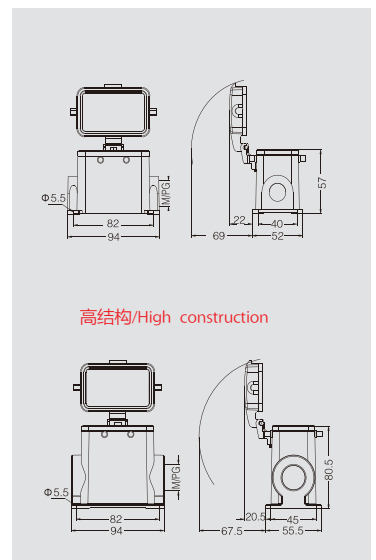


## 下壳底座 / Housings

带盖表面安装底座 Surface mounting



螺纹 Thread	型号/Type	订货号 /Part Number
<b>带保护盖/with protection cover</b>		
<b>1个进线孔 1 side entry</b>		
PG16	G10B-SDR-BO-PG16	
M20	G10B-SDR-BO-M20	
M25	G10B-SDR-BO-M25	
<b>2个进线孔 2 side entry</b>		
PG16	G10B-SDR-BO-2PG16	
M20	G10B-SDR-BO-2M20	
M25	G10B-SDR-BO-2M25	
<b>高结构/High construction</b>		
<b>1个进线孔 1 side entry</b>		
PG21	G10B-SDRH-BO-PG21	
PG29	G10B-SDRH-BO-PG29	
M32	G10B-SDRH-BO-M32	
<b>2个进线孔 2 side entry</b>		
PG21	G10B-SDRH-BO-2PG21	
PG29	G10B-SDRH-BO-2PG29	
M32	G10B-SDRH-BO-2M32	



## G10B带单扣外壳 / G10B with 1 lever on the hoods/housings



底部外壳安装开孔尺寸/Housing mounting dimensions PAGE/390

表面粉末镀层, RAL 7037 / Powder-coated, RAL 7037

防护等级 Degree of protection : IP65

## 上壳 / Hoods

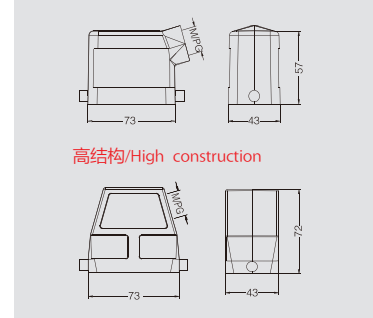
## 侧面进线 Side entry



螺纹 Thread	型号/Type	订货号 /Part Number
PG16	G10B-TS-RO-PG16	
M20	G10B-TS-RO-M20	
M25	G10B-TS-RO-M25	



高结构/High construction		
PG21	G10B-TSH-RO-PG21	
PG29	G10B-TSH-RO-PG29	
M25	G10B-TSH-RO-M25	
M32	G10B-TSH-RO-M32	



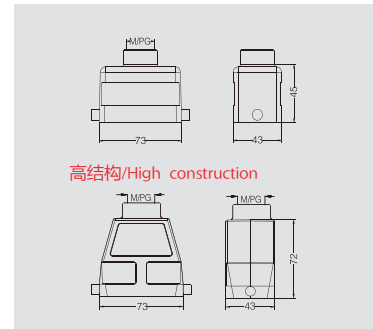
## 顶部进线 Top entry



螺纹 Thread	型号/Type	订货号 /Part Number
PG16	G10B-TG-RO-PG16	
M20	G10B-TG-RO-M20	
M25	G10B-TG-RO-M25	



高结构/High construction		
PG21	G10B-TGH-RO-PG21	
PG29	G10B-TGH-RO-PG29	
M25	G10B-TGH-RO-M25	
M32	G10B-TGH-RO-M32	

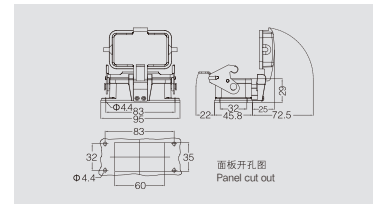


## 下壳底座 / Housings

## 外壳底座: 开孔安装 Bulkhead mounted



螺纹 Thread	型号/Type	订货号 /Part Number
	G10B-AG-LB	
	带保护盖/ith protection cover	
	G10B-AD-LB	
	上壳保护盖/protection cover	
	G10B-KDT-LB	

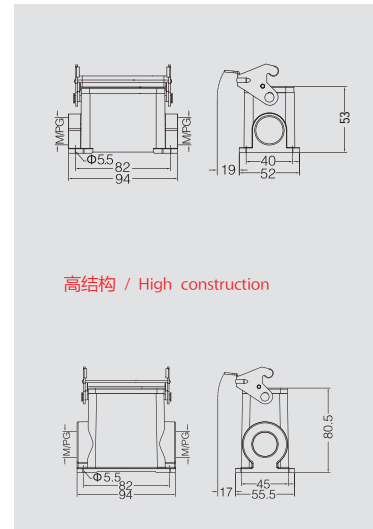


## 外壳底座: 表面安装

Surface mounted: Side entry



螺纹 Thread	型号/Type	订货号 /Part Number
1个进线孔1 side entry		
PG16	G10B-SGR-LB-PG16	
M20	G10B-SGR-LB-M20	
M25	G10B-SGR-LB-M25	
2个进线孔2 side entry		
PG16	G10B-SGR-LB-2PG16	
M20	G10B-SGR-LB-2M20	
M25	G10B-SGR-LB-2M25	
高结构 / High construction		
1个进线孔1 side entry		
PG21	G10B-SGRH-LB-PG21	
PG29	G10B-SGRH-LB-PG29	
M32	G10B-SGRH-LB-M32	
2个进线孔2 side entry		
PG21	G10B-SGRH-LB-2PG21	
PG29	G10B-SGRH-LB-2PG29	
M32	G10B-SGRH-LB-2M32	



# G10B带单扣外壳 / G10B with 1 lever on the hoods/housings



底部外壳安装开孔尺寸/Housing mounting dimensions PAGE/390

表面粉末镀层, RAL 7037 / Powder-coated, RAL 7037

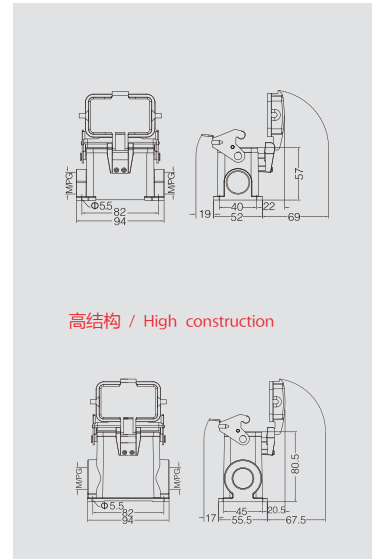
防护等级 Degree of protection : IP65

## 下壳底座 / Housings

带保护盖表面安装  
Surface mounted with protection cover



螺纹 Thread	型号/Type	订货号 /Part Number
<b>带保护盖/ith protection cover</b>		
1个进线孔1 side entry		
PG16	G10B-SDR-LB-PG16	
M20	G10B-SDR-LB-M20	
M25	G10B-SDR-LB-M25	
2个进线孔2 side entry		
PG16	G10B-SDR-LB-2PG16	
M20	G10B-SDR-LB-2M20	
M25	G10B-SDR-LB-2M25	
<b>高结构 / High construction</b>		
1个进线孔1 side entry		
PG21	G10B-SDRH-LB-PG21	
PG29	G10B-SDRH-LB-PG29	
M32	G10B-SDRH-LB-M32	
2个进线孔2 side entry		
PG21	G10B-SDRH-LB-2PG21	
PG29	G10B-SDRH-LB-2PG29	
M32	G10B-SDRH-LB-2M32	



电缆对接下壳 Cable-to-cable hood



螺纹 Thread	型号/Type	订货号 /Part Number
PG16	G10B-TBF-LB-PG16	
M20	G10B-TBF-LB-M20	
M25	G10B-TBF-LB-M25	
<b>高结构 / High construction</b>		
PG21	G10B-TBFH-LB-PG21	
PG29	G10B-TBFH-LB-PG29	
M25	G10B-TBFH-LB-M25	
M32	G10B-TBFH-LB-M32	



## G10B 耐腐蚀外壳 Metal Hoods &amp; Housings For higher environmental requirements



底部外壳安装开孔尺寸/Housing mounting dimensions PAGE/390

表面粉末镀层, RAL 9005 / Powder-coated, RAL 9005

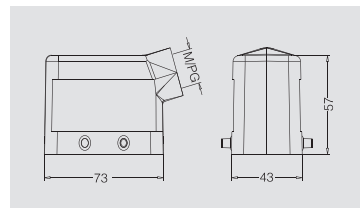
防护等级 Degree of protection : IP65

## 上壳 / Hoods

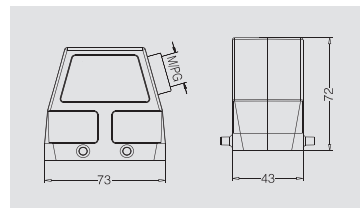
## 侧面进线 Side entry



螺纹 Thread	型号/Type	订货号 /Part Number
M20	G10B-TS-M-M20	
PG16	G10B-TS-M-PG16	

侧出线高结构  
side entry, high construction

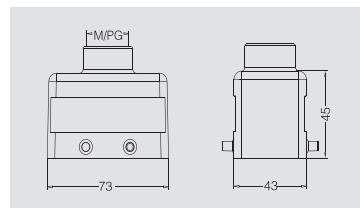
螺纹 Thread	型号/Type	订货号 /Part Number
M25	G10B-TSH-M-M25	



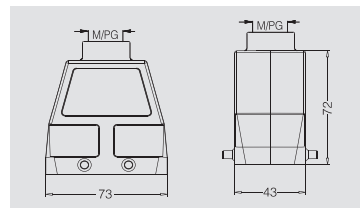
## 顶部进线 Top entry



螺纹 Thread	型号/Type	订货号 /Part Number
M20	G10B-TG-M-M20	
PG16	G10B-TG-M-PG16	

顶出线高结构  
top entry, high construction

螺纹 Thread	型号/Type	订货号 /Part Number
M32	G10B-TGH-M-M32	

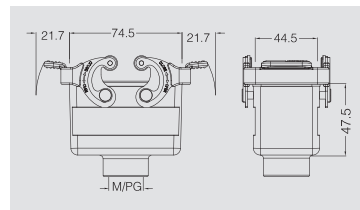


## 下壳底座 / Housings

## 电缆对接下壳 Cable-to-cable hood



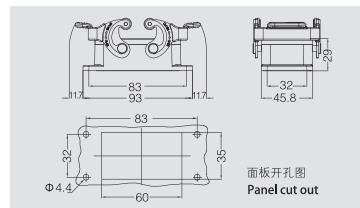
螺纹 Thread	型号/Type	订货号 /Part Number
PG16	G10B-TBF-M-PG16	



## 外壳底座: 开孔安装 Bulkhead mounted



螺纹 Thread	型号/Type	订货号 /Part Number
---	G10B-AG-M	



# G10B 耐腐蚀外壳 Metal Hoods & Housings For higher environmental requirements



底部外壳安装开孔尺寸/Housing mounting dimensions PAGE/390

表面粉末镀层, RAL 9005 / Powder-coated, RAL 9005

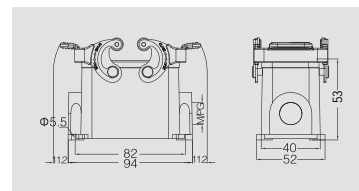
防护等级 Degree of protection : IP65

## 下壳底座 / Housings

外壳底座: 表面安装 Surface mounted: Side entry



螺纹 Thread	型号/Type	订货号 /Part Number
PG16	G10B-SGR-M-PG16	
M20	G10B-SGR-M-M20	

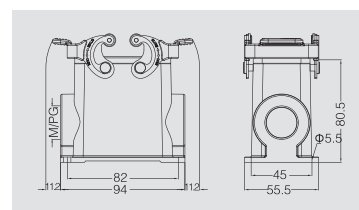


外壳底座: 表面安装

Surface mounted: Side entry



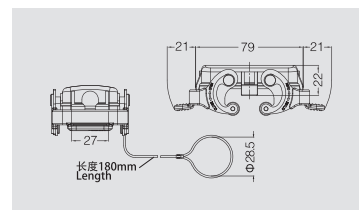
螺纹 Thread	型号/Type	订货号 /Part Number
M32	G10B-SGRH-M-M32	



上壳保护盖 Protection covers for hoods



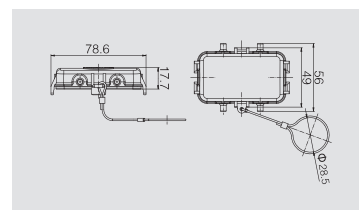
螺纹 Thread	型号/Type	订货号 /Part Number
	<b>金属盖/用于上壳 For hoods</b>	
	G10B-KDT-LA-M-1	
	<b>金属盖/用于下壳 For housings</b>	
	G10B-KDT-LA-M-2	



底座保护盖 Housing protection cover



螺纹 Thread	型号/Type	订货号 /Part Number
---	<b>金属盖/用于上壳 For hoods</b>	
	G10B-KDB-LA-M-1	
	<b>金属盖/用于下壳 For housings</b>	
	G10B-KDB-LA-M-2	



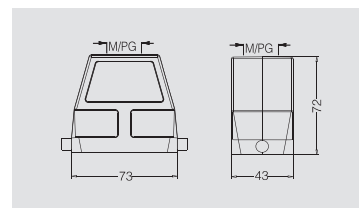
## 上壳 / Hoods

防护等级 Degree of protection : IP65 单扣

顶部进线 Top entry



螺纹 Thread	型号/Type	订货号 /Part Number
M32	G10B-TGH-RO-M-M32	



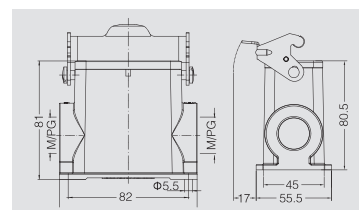
## 下壳底座 / Housings

外壳底座: 表面安装

Surface mounted: Side entry



螺纹 Thread	型号/Type	订货号 /Part Number
M25	G10B-SGRH-LB-M-M25	



# GSB-006接插体 / GSB-006 inserts



芯件适配用G16B外壳

inserts suit for G16B hoods/housing 690V 35A

6+

## 螺钉压接/Screw terminal



插芯/Inserts	型号/Type	订货号/Part Number
公 Male	GSB-006-M	
母 Female	GSB-006-F	

1) 接插体之间的最大距离21mm  
 1) Distance for contact max.21mm

接插针排序  
 Contacts arrangement view from termination side

面板安装开孔图  
 Panel cut out for inserts for use without Hoods/housings

# G16B 双扣外壳 /G16B with 2 lever on the hoods/housings



底部外壳安装开孔尺寸/Housing mounting dimensions PAGE/390

表面粉末镀层, RAL 7037 / Powder-coated, RAL 7037

防护等级 Degree of protection : IP65

## 上壳 / Hoods

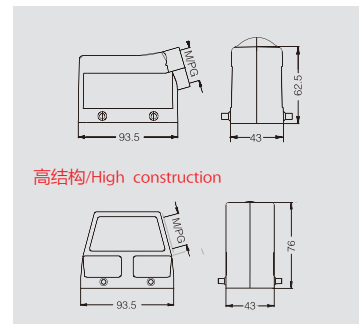
侧面进线 Side entry



螺纹 Thread	型号/Type	订货号 /Part Number
PG21	G16B-TS-PG21	
M25	G16B-TS-M25	
M32	G16B-TS-M32	



高结构/High construction		
PG21	G16B-TSH-PG21	
PG29	G16B-TSH-PG29	
M25	G16B-TSH-M25	
M32	G16B-TSH-M32	
M40	G16B-TSH-M40	



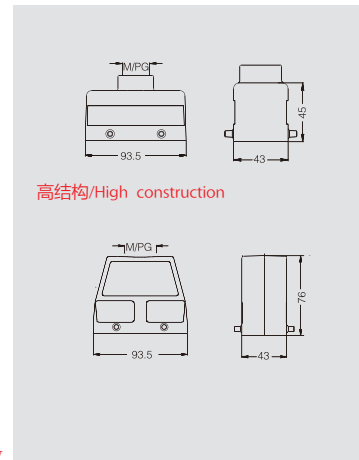
顶部进线 Top entry



螺纹 Thread	型号/Type	订货号 /Part Number
PG21	G16B-TG-PG21	
M25	G16B-TG-M25	
M32	G16B-TG-M32	



高结构/High construction		
PG21	G16B-TGH-PG21	
PG29	G16B-TGH-PG29	
M25	G16B-TGH-M25	
M32	G16B-TGH-M32	
M40	G16B-TGH-M40	

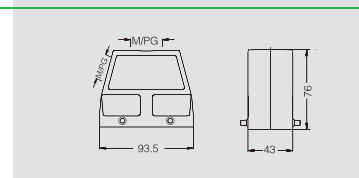


上壳侧出线/顶出线  
Hoods,side&top entry,high construction



我可提供顶部、侧面同时出线的非标品  
We can provide non-standard products with both top&side entry

型号为:G16B-TSH/TGH-PG/M 如有需要请与我司联系



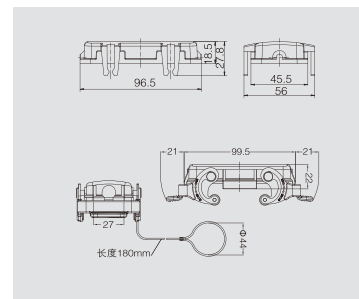
上壳保护盖 Protection covers for hoods



螺纹 Thread	型号/Type	订货号 /Part Number
	G16B-KDT	



	带金属保护盖/With protection cover	
	金属盖/用于上壳 For hoods	
	G16B-KD T-LA-1	
	金属盖/用于下壳 For housings	
	G16B-KD T-LA-2	

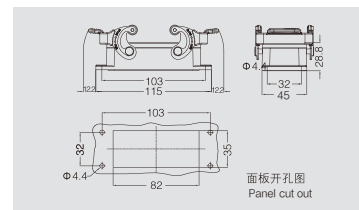


下壳底座 / Housings

外壳底座:开孔安装  
Bulkhead mounted



螺纹 Thread	型号/Type	订货号 /Part Number
	G16B-AG	





# G16B 双扣外壳 /G16B with 2 lever on the hoods/housings



底部外壳安装开孔尺寸/Housing mounting dimensions PAGE/390

表面粉末镀层, RAL 7037 / Powder-coated, RAL 7037

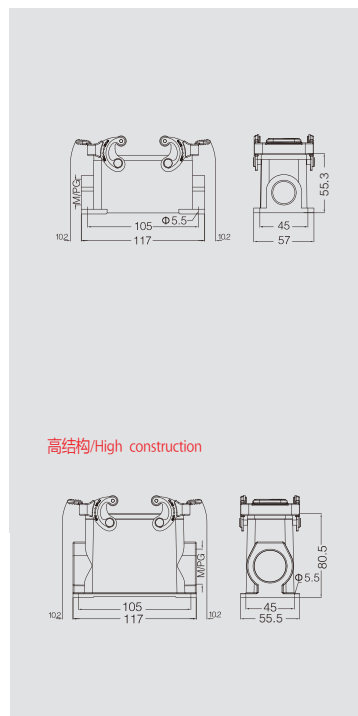
防护等级 Degree of protection : IP65

## 下壳底座 / Housings

外壳底座: 表面安装  
Surface mounted: Side entry



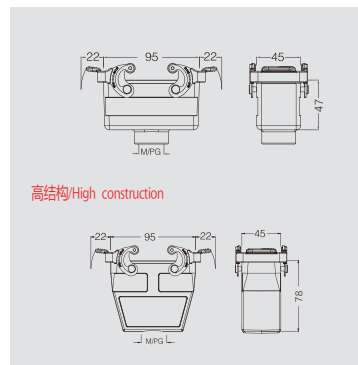
螺纹 Thread	型号/Type	订货号 /Part Number
1个进线孔 1 side entry		
PG21	G16B-SGR-PG21	
M25	G16B-SGR-M25	
2个进线孔 2 side entry		
PG21	G16B-SGR-2PG21	
M25	G16B-SGR-2M25	
<b>高结构/High construction</b>		
PG29	G16B-SGRH-PG29	
M32	G16B-SGRH-M32	
M40	G16B-SGRH-M40	
2个进线孔 2 side entry		
PG29	G16B-SGRH-2PG29	
M32	G16B-SGRH-2M32	
M40	G16B-SGRH-2M40	



## 电缆对接下壳 Cable-to-cable hood



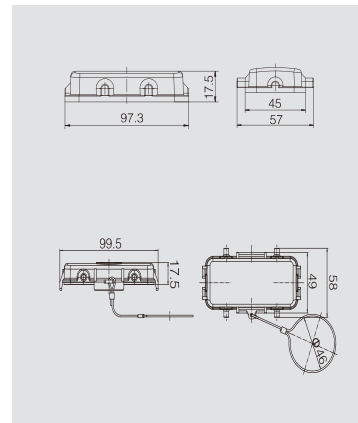
螺纹 Thread	型号/Type	订货号 /Part Number
PG21	G16B-TBF-PG21	
M25	G16B-TBF-M25	
M32	G16B-TBF-M32	
<b>高结构/High construction</b>		
PG21	G16B-TBFH-PG21	
PG29	G16B-TBFH-PG29	
M25	G16B-TBFH-M25	
M32	G16B-TBFH-M32	



## 底座保护盖 Housing protection cover



螺纹 Thread	型号/Type	订货号 /Part Number
	G16B-KDB	
<b>金属保护盖 /With protection cover</b>		
<b>金属盖用于上壳 For hoods</b>		
	G16B-KDB-LA-1	
<b>金属盖用于下壳 For housings</b>		
	G16B-KDB-LA-2	



# G16B 双扣外壳 /G16B with 2 lever on the hoods/housings



底部外壳安装开孔尺寸/Housing mounting dimensions PAGE/390

表面粉末镀层, RAL 7037 / Powder-coated, RAL 7037

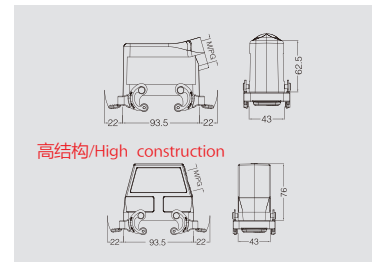
防护等级 Degree of protection : IP65

## 上壳 / Hoods

侧出带双扣下壳  
Side entry housing with two levers



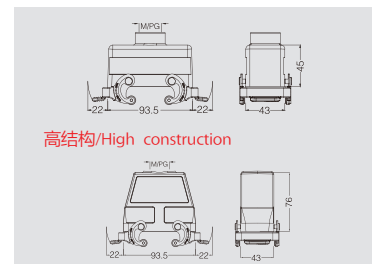
螺纹 Thread	型号/Type	订货号 /Part Number
PG21	G16B-TSB-PG21	
M25	G16B-TSB-M25	
M32	G16B-TSB-M32	
<b>高结构/High construction</b>		
PG21	G16B-TSBH-PG21	
PG29	G16B-TSBH-PG29	
M25	G16B-TSBH-M25	
M32	G16B-TSBH-M32	



顶出带双扣下壳  
Top entry housing with two levers



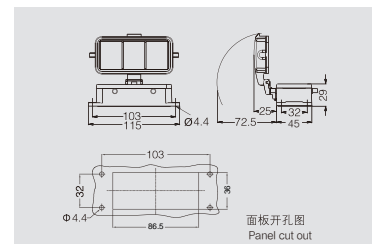
螺纹 Thread	型号/Type	订货号 /Part Number
PG21	G16B-TGB-PG21	
M25	G16B-TGB-M25	
M32	G16B-TGB-M32	
<b>高结构/High construction</b>		
PG21	G16B-TGBH-PG21	
PG29	G16B-TGBH-PG29	
M25	G16B-TGBH-M25	
M32	G16B-TGBH-M32	



双扣带盖开孔底座  
Bulkhead mounting with hoods



螺纹 Thread	型号/Type	订货号 /Part Number
	G16B-AG-BO	
<b>带保护盖/with protection cover</b>		
	G16B-AD-BO	
<b>带金属保护盖/with protection cover</b>		
	G16B-AD-AL-BO	

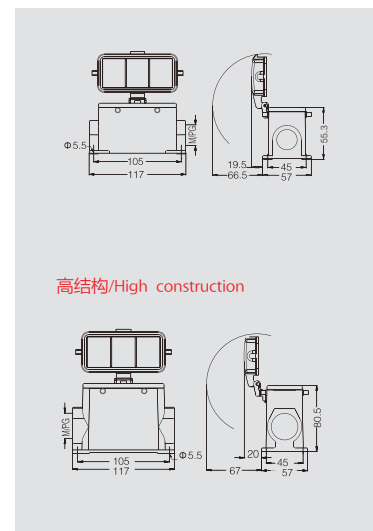


## 下壳底座 / Housings

双扣带盖表面安装底座  
Surface mounting with hoods



螺纹 Thread	型号/Type	订货号 /Part Number
<b>1个进线孔 1 side entry</b>		
PG21	G16B-SDR-BO-PG21	
M25	G16B-SDR-BO-M25	
<b>2个进线孔 2 side entry</b>		
PG21	G16B-SDR-BO-2PG21	
M25	G16B-SDR-BO-2M25	
<b>高结构/High construction</b>		
<b>1个进线孔 1 side entry</b>		
PG21	G16B-SDRH-BO-PG21	
PG29	G16B-SDRH-BO-PG29	
M32	G16B-SDRH-BO-M32	
<b>2个进线孔 2 side entry</b>		
PG21	G16B-SDRH-BO-2PG21	
PG29	G16B-SDRH-BO-2PG29	
M32	G16B-SDRH-BO-2M32	



## G16B单扣外壳 /G16B with 1 lever on the hoods/housings



底部外壳安装开孔尺寸/Housing mounting dimensions PAGE/390

表面粉末镀层, RAL 7037 / Powder-coated, RAL 7037

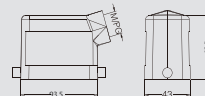
防护等级 Degree of protection : IP65

## 上壳 / Hoods

## 侧面进线 Side entry



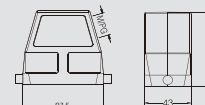
螺纹 Thread	型号/Type	订货号 /Part Number
PG21	G16B-TS-RO-PG21	
M25	G16B-TS-RO-M25	
M32	G16B-TS-RO-M32	



## 高结构/High construction



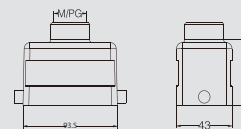
高结构/High construction		
PG21	G16B-TSH-RO-PG21	
PG29	G16B-TSH-RO-PG29	
M25	G16B-TSH-RO-M25	
M32	G16B-TSH-RO-M32	
M40	G16B-TSH-RO-M40	



## 顶部进线 Top entry



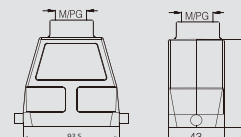
螺纹 Thread	型号/Type	订货号 /Part Number
PG21	G16B-TG-RO-PG21	
M25	G16B-TG-RO-M25	
M32	G16B-TG-RO-M32	



## 高结构/High construction



高结构/High construction		
PG21	G16B-TGH-RO-PG21	
PG29	G16B-TGH-RO-PG29	
M25	G16B-TGH-RO-M25	
M32	G16B-TGH-RO-M32	
M40	G16B-TGH-RO-M40	

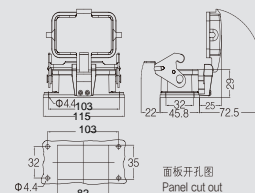


## 下壳底座 / Housings

## 外壳底座: 开孔安装 Bulkhead mounted



螺纹 Thread	型号/Type	订货号 /Part Number
	G16B-AG-LB	
	带保护盖/ith protection cover	
	G16B-AD-LB	
	上壳保护盖/protection cover	
	G16B-KDT-LB	



# G16B单扣外壳 /G16B with 1 lever on the hoods/housings



底部外壳安装开孔尺寸/Housing mounting dimensions PAGE/390

表面粉末镀层, RAL 7037 / Powder-coated, RAL 7037

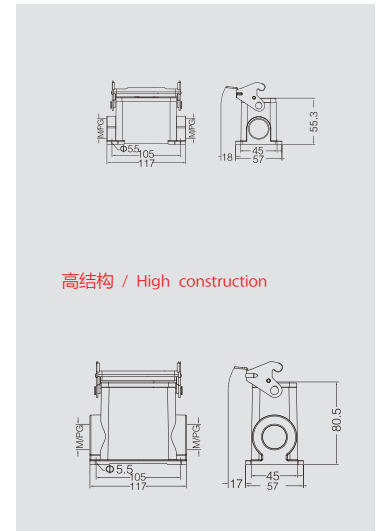
防护等级 Degree of protection : IP65

## 下壳底座 / Housings

外壳底座: 表面安装  
Surface mounted: Side entry



螺纹 Thread	型号/Type	订货号 /Part Number
1个进线孔1 side entry		
PG21	G16B-SGR-LB-PG21	
M25	G16B-SGR-LB-M25	
2个进线孔2 side entry		
2PG21	G16B-SGR-LB-2PG21	
2M25	G16B-SGR-LB-2M25	
<b>高结构 / High construction</b>		
1个进线孔1 side entry		
PG21	G16B-SGRH-LB-PG21	
PG29	G16B-SGRH-LB-PG29	
M32	G16B-SGRH-LB-M32	
2个进线孔2 side entry		
PG21	G16B-SGRH-LB-2PG21	
PG29	G16B-SGRH-LB-2PG29	
M32	G16B-SGRH-LB-2M32	



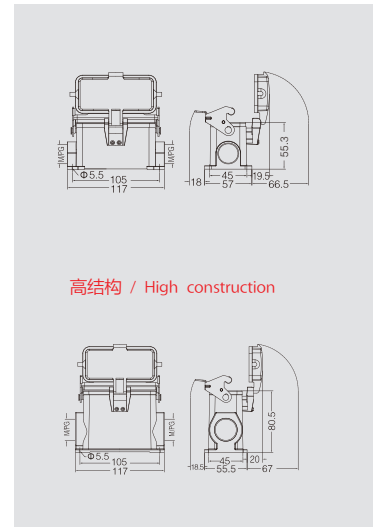
高结构 / High construction

## 下壳底座 / Housings

带盖表面安装底座 Surface mounting



螺纹 Thread	型号/Type	订货号 /Part Number
1个进线孔1 side entry		
PG21	G16B-SDR-LB-PG21	
M25	G16B-SDR-LB-M25	
2个进线孔2 side entry		
2PG21	G16B-SDR-LB-2PG21	
2M25	G16B-SDR-LB-2M25	
<b>高结构 / High construction</b>		
1个进线孔1 side entry		
PG21	G16B-SDRH-LB-PG21	
PG29	G16B-SDRH-LB-PG29	
M32	G16B-SDRH-LB-M32	
2个进线孔2 side entry		
PG21	G16B-SDRH-LB-2PG21	
PG29	G16B-SDRH-LB-2PG29	
M32	G16B-SDRH-LB-2M32	

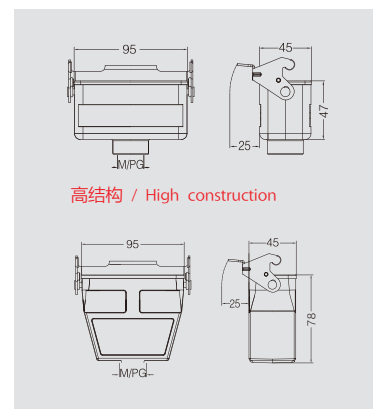


高结构 / High construction

电缆对接下壳 Cable-to-cable hood



螺纹 Thread	型号/Type	订货号 /Part Number
PG21	G16B-TBF-LB-PG21	
M25	G16B-TBF-LB-M25	
M32	G16B-TBF-LB-M32	
<b>高结构 / High construction</b>		
PG21	G16B-TBFH-LB-PG21	
PG29	G16B-TBFH-LB-PG29	
M32	G16B-TBFH-LB-M32	
M40	G16B-TBFH-LB-M40	



高结构 / High construction

## G16B 耐腐蚀外壳 Metal Hoods &amp; Housings For higher environmental requirements



底部外壳安装开孔尺寸/Housing mounting dimensions PAGE/390

表面粉末镀层, RAL 9005 / Powder-coated, RAL 9005

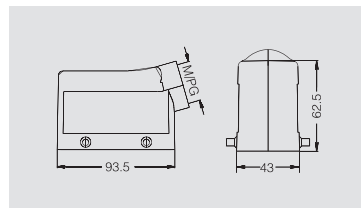
防护等级 Degree of protection : IP65

## 上壳 / Hoods

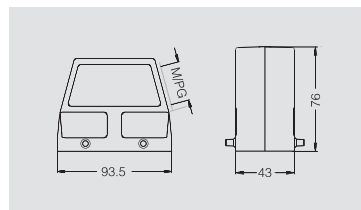
## 侧面进线 Side entry



螺纹 Thread	型号/Type	订货号 /Part Number
PG21	G16B-TS-M-PG21	
M25	G16B-TS-M-M25	

侧出线高结构  
side entry, high construction

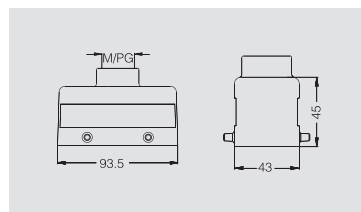
螺纹 Thread	型号/Type	订货号 /Part Number
PG29	G16B-TSH-M-PG29	
M32	G16B-TSH-M-M32	
M40	G16B-TSH-M-M40	



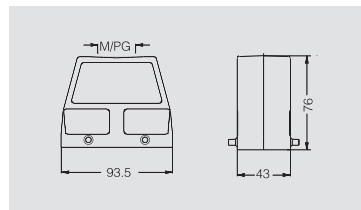
## 顶部进线 Top entry



螺纹 Thread	型号/Type	订货号 /Part Number
PG21	G16B-TG-M-PG21	
M25	G16B-TG-M-M25	

顶出线高结构  
top entry, high construction

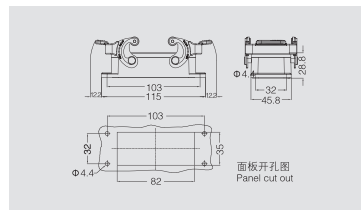
螺纹 Thread	型号/Type	订货号 /Part Number
PG29	G16B-TGH-M-PG29	
M32	G16B-TGH-M-M32	



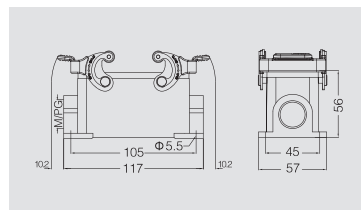
## 下壳底座 / Housings

外壳底座:开孔安装  
Bulkhead mounted

螺纹 Thread	型号/Type	订货号 /Part Number
---	G16B-AG-M	

外壳底座: 表面安装  
Surface mounted: Side entry

螺纹 Thread	型号/Type	订货号 /Part Number
PG21	G16B-SGR-M-PG21	
M25	G16B-SGR-M-M25	



# G16B耐腐蚀外壳 Metal Hoods & Housings For higher environmental requirements



底部外壳安装开孔尺寸/Housing mounting dimensions PAGE/390

表面粉末镀层, RAL 9005 / Powder-coated, RAL 9005

防护等级 Degree of protection : IP65

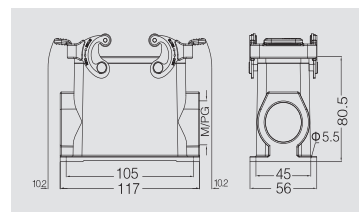
## 下壳底座 / Housings

封底下壳高结构

Housings, surface mounting, high construction



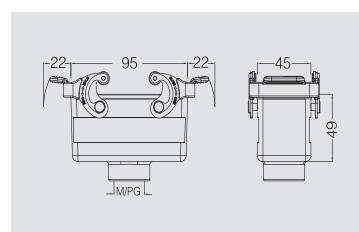
螺纹 Thread	型号/Type	订货号 /Part Number
2PG29	G16B-SGRH-M-2PG29	
2M32	G16B-SGRH-M-2M32	
2M40	G16B-SGRH-M-2M40	



电缆对接下壳 Cable-to-cable hood



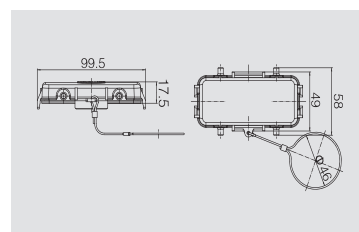
螺纹 Thread	型号/Type	订货号 /Part Number
PG21	G16B-TBF-M-PG21	



底座保护盖 Housing protection cover



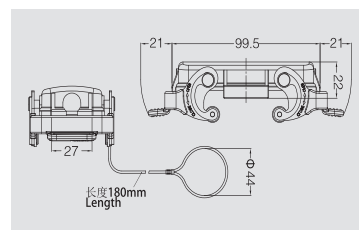
螺纹 Thread	型号/Type	订货号 /Part Number
	金属盖/用于上壳 For hoods	
	G16B-KDB-LA-M-1	
	金属盖/用于下壳 For housings	
	G16B-KDB-LA-M-2	



上壳保护盖 Protection covers for hoods



螺纹 Thread	型号/Type	订货号 /Part Number
	金属盖/用于上壳 For hoods	
	G16B-KDT-LA-M-1	
	金属盖/用于下壳 For housings	
	G16B-KDT-LA-M-2	



# GSB-012接插体 /GSB-012 inserts



芯件适配用G32B外壳

Inserts suit for G32B hoods/housing

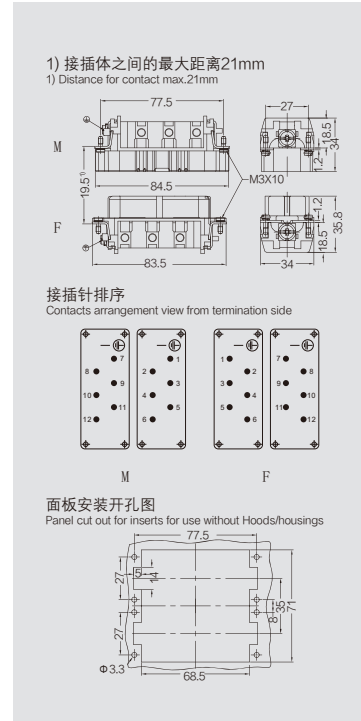
690V 35A (6X2)

12+

## 螺钉压接/Screw terminal



插芯/Inserts	型号/Type	订货号/Part Number
公 Male	GSB-006-M(1-6)	
母 Female	GSB-006-F(1-6)	
公 Male	GSB-006-M(7-12)	
母 Female	GSB-006-F(7-12)	



# G32B带双扣外壳/G32B with 2 lever on the hoods/housings



底部外壳安装开孔尺寸/Housing mounting dimensions PAGE/390

表面粉末镀层, RAL 7037 / Powder-coated, RAL 7037

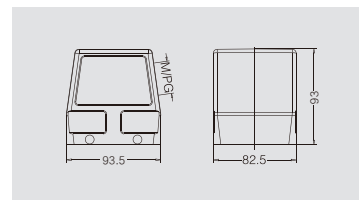
注:上壳高结构和低结构是通用型结构

## 上壳 / Hoods

外壳上壳: 侧面进线 Hood: Side entry



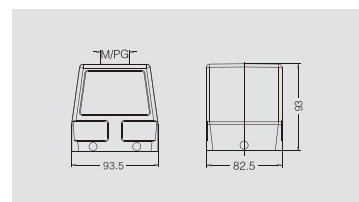
螺纹 Thread	型号/Type	订货号 /Part Number
PG29	G32B-TS-PG29	
PG36	G32B-TS-PG36	
PG42	G32B-TS-PG42	
M32	G32B-TS-M32	
M40	G32B-TS-M40	
M50	G32B-TS-M50	



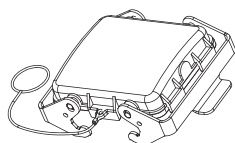
外壳上壳: 顶部进线 Hood: Top entry



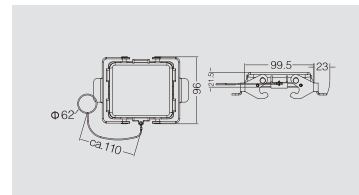
螺纹 Thread	型号/Type	订货号 /Part Number
PG29	G32B-TG-PG29	
PG36	G32B-TG-PG36	
PG42	G32B-TG-PG42	
M32	G32B-TG-M32	
M40	G32B-TG-M40	
M50	G32B-TG-M50	



上壳保护盖 Protection covers for hoods



螺纹 Thread	型号/Type	订货号 /Part Number
	G32B-KDT-LA-1	

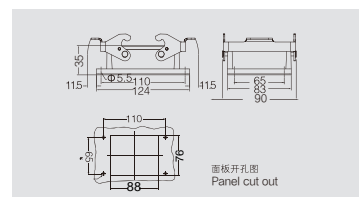


## 下壳底座 / Housings

外壳底座: 开孔安装 Bulkhead mounted: Bottom entry



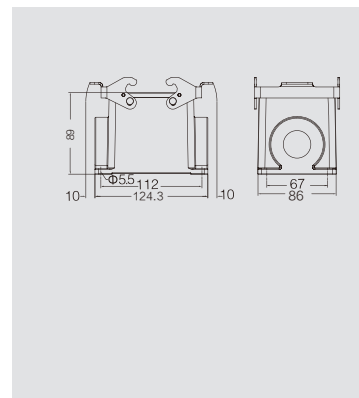
螺纹 Thread	型号/Type	订货号 /Part Number
	G32B-AG	



外壳底座: 表面安装 Surface mounted: Side entry



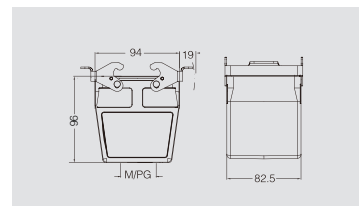
螺纹 Thread	型号/Type	订货号 /Part Number
1个进线孔1 side entry		
PG29	G32B-SGR-PG29	
PG36	G32B-SGR-PG36	
PG42	G32B-SGR-PG42	
M32	G32B-SGR-M32	
M40	G32B-SGR-M40	
2个进线孔2 side entry		
PG29	G32B-SGR-2PG29	
PG36	G32B-SGR-2PG36	
PG42	G32B-SGR-2PG42	
M32	G32B-SGR-2M32	
M40	G32B-SGR-2M40	



电缆对接下壳 Cable-to-cable hood



螺纹 Thread	型号/Type	订货号 /Part Number
PG29	G32B-TBF-PG29	
PG36	G32B-TBF-PG36	
PG42	G32B-TBF-PG42	
M32	G32B-TBF-M32	
M40	G32B-TBF-M40	
M50	G32B-TBF-M50	





# G32B带双扣外壳/G32B with 2 lever on the hoods/housings



底部外壳安装开孔尺寸/Housing mounting dimensions PAGE/390

表面粉末镀层, RAL 7037 / Powder-coated, RAL 7037

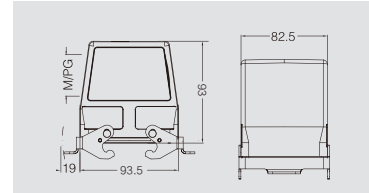
注:上壳高结构和低结构是通用型结构

## 上壳 / Hoods

外壳上壳: 侧面进线 Hood: Side entry



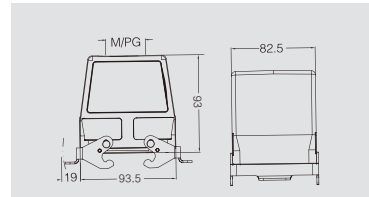
螺纹 Thread	型号/Type	订货号 /Part Number
PG29	G32B-TSB-PG29	
M32	G32B-TSB-M32	



开孔安装 Bulkhead mounted



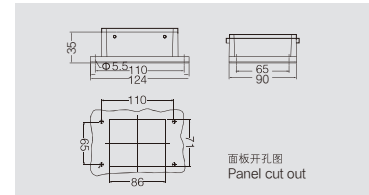
螺纹 Thread	型号/Type	订货号 /Part Number
PG29	G32B-TG B-PG29	
PG36	G32B-TG B-PG36	
PG42	G32B-TG B-PG42	
M32	G32B-TG B-M32	
M40	G32B-TG B-M40	
M50	G32B-TG B-M50	



开孔安装 Bulkhead mounted



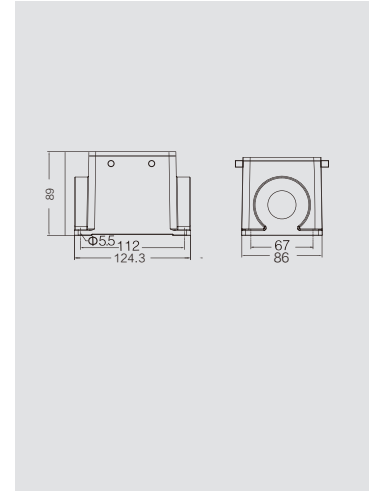
螺纹 Thread	型号/Type	订货号 /Part Number
	G32B-AG-BO	



开孔安装 Bulkhead mounted



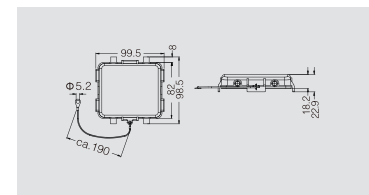
螺纹 Thread	型号/Type	订货号 /Part Number
1个进线孔1 side entry		
PG29	G32B-SGR-BO-PG29	
PG36	G32B-SGR-BO-PG36	
PG42	G32B-SGR-BO-PG42	
M32	G32B-SGR-BO-M32	
M40	G32B-SGR-BO-M40	
2个进线孔2 side entry		
PG29	G32B-SGR-BO-2PG29	
PG36	G32B-SGR-BO-2PG36	
PG42	G32B-SGR-BO-2PG42	
M32	G32B-SGR-BO-2M32	
M40	G32B-SGR-BO-2M40	



底座保护盖



螺纹 Thread	型号/Type	订货号 /Part Number
	G32B-KDB-LA-2	



# G32B带单扣外壳 / G32B with 1 lever on the hoods/housings



底部外壳安装开孔尺寸/Housing mounting dimensions PAGE/390

表面粉末镀层, RAL 7037 / Powder-coated, RAL 7037

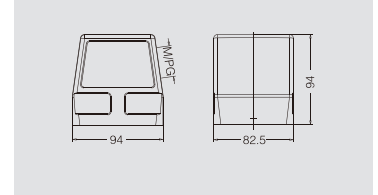
注:上壳高结构和低结构是通用型结构

## 上壳 / Hoods

外壳上壳: 侧面进线 Hood: Side entry



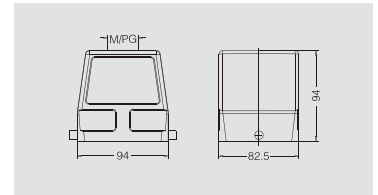
螺纹 Thread	型号/Type	订货号 /Part Number
PG29	G32B-TS-RO-PG29	
PG36	G32B-TS-RO-PG36	
PG42	G32B-TS-RO-PG42	
M32	G32B-TS-RO-M32	
M40	G32B-TS-RO-M40	
M50	G32B-TS-RO-M50	



外壳上壳: 顶部进线 Hood: Top entry



螺纹 Thread	型号/Type	订货号 /Part Number
PG29	G32B-TG-RO-PG29	
PG36	G32B-TG-RO-PG36	
PG42	G32B-TG-RO-PG42	
M32	G32B-TG-RO-M32	
M40	G32B-TG-RO-M40	
M50	G32B-TG-RO-M50	

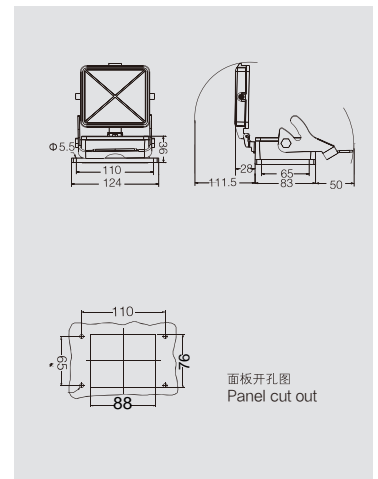


## 下壳底座 / Housings

外壳底座: 开孔安装 Bulkhead mounted: Bottom entry



螺纹 Thread	型号/Type	订货号 /Part Number
	G32B-AG-LB	
	带保护盖/With protection cover	
	G32B-AD-LB	



外壳底座: 表面安装 Surface mounted: Side entry



螺纹 Thread	型号/Type	订货号 /Part Number
	1个进线孔1 side entry	
PG29	G32B-SGR-LB-PG29	
M32	G32B-SGR-LB-M32	
	2个进线孔2 side entry	
PG29	G32B-SGR-LB-2PG29	
M32	G32B-SGR-LB-2M32	
	带保护盖/With protection cover	
	1个进线孔1 side entry	
PG29	G32B-SDR-LB-PG29	
M32	G32B-SDR-LB-M32	
	2个进线孔2 side entry	
PG29	G32B-SDR-LB-2PG29	
M32	G32B-SDR-LB-2M32	

