

电流负载能力 / Current carrying capacity

电流负载能力所受的限制主要来自包含插接针的接插体可承受的最大温度。

测试和控制过程依据DINIEC 60512-3。

The current carrying is limited by maximum temperature of materials for inserts and contacts including terminals.

Control and test procedures according to DIN IEC 60512-3.

规范 / Specifications

DIN VDE 0627
DIN VDE 0110

插接体 / Inserts

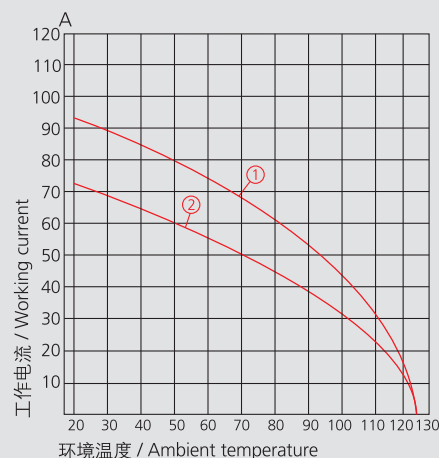
插接件针数/Number of contacts	4/0, 4/2+PE
工作电源电流/Rated power current GK4/0, GK4/2	80 A max.
工作控制电流/Rated signal current GK4/0, GK4/2 (见负载图/See current carrying capacity)	16 A max.
工作电压/Working voltage GK4/0, GK4/2(power) GK4/0, GK4/2(signal)	690V 400V
测试电压/Test voltage Urms	8KV/2KV (Signal)
污染等级/Pollution degree	2(C)
隔离电阻/Insulation resistance	$\geq 10^{10} \Omega$
材料/Material	Polycarbonate
工作温度范围/Temperature range	-40°C...+100°C/125°C
阻燃等级(UL94)Flammability acc.to (UI94)	V0
据UL/CSA工作电压Working voltage acc.to UL/CSA	600V/300V
可拨插次数/Mechanical working life(mating cycles)	≥ 500

接插针 / Contacts

材料/Material	铜/Copper alloy
表面处理/Surface	镀银/Hard silver-plated 镀金/Hard gold-plated
接触电阻/Contact resistance	$\leq 1m \Omega$
接线形式/Terminal -mm ² -AWG	螺钉压接/Screw terminal 1.5-16mm ² /0.5-2.5mm ² 16-6/20-14
拧紧力矩/测试力矩Tightening/test torque	1.2Nm/0.5Nm

金属上壳/底座 Hoods/Housings

材料/Material	铸铝合金/Die cast aluminium
表面处理/Surface	高温粉末镀层,灰色 Powder-coated, RAL 7037
锁定装置/Locking element	不锈钢或铁镀锌 Stainless steel, steel-zinc plated
工作温度范围/Temperature range	-40°C...+125°C
防护等级/Degree of protection acc.to DIN40 050	IP65



①线径/Wire gauge: 16mm²
②线径/Wire gauge: 10mm²

GK4/0, GK4/2接插体GK4/0, GK4/2 inserts

芯件适配用G16B外壳
Inserts suit for G16B hoods/housing

690V/400V 80A

4/2, 4/0+ ⊕

螺钉压接/Screw terminal



4/0+ ⊕ 690V/400V 80A

插芯/Inserts	型号/Type	订货号/Part Number
公 Male	GK4/0-004-M	
母 Female	GK4/0-004-F	

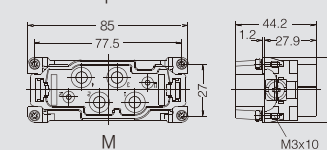
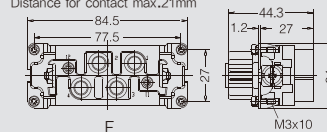
螺钉压接/Screw terminal



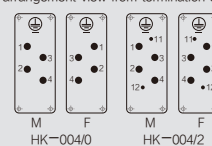
4/2+ ⊕ 690V/400V 80A/16A

插芯/Inserts	型号/Type	订货号/Part Number
公 Male	GK4/2-006-M	
母 Female	GK4/2-006-F	

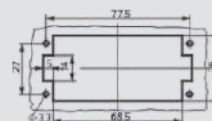
接插体之间的最大距离21mm
Distance for contact max.21mm



接插针排序
Contacts arrangement view from termination side



接插针排序
Contacts arrangement view from termination side



板面安装开孔图
Panel cut out for use without hoods/housings

G16B 双扣外壳 /G16B with 2 lever on the hoods/housings



底部外壳安装开孔尺寸/Housing mounting dimensions PAGE/390

表面粉末镀层, RAL 7037 / Powder-coated,RAL 7037

防护等级 Degree of protection : IP65

上壳 / Hoods

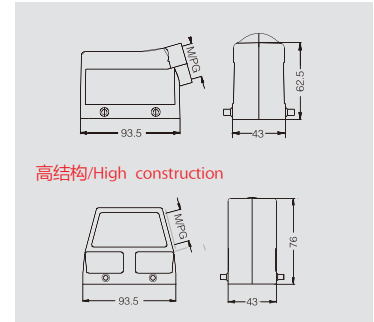
侧面进线 Side entry



螺纹 Thread	型号/Type	订货号 /Part Number
PG21	G16B-TS-PG21	
M25	G16B-TS-M25	
M32	G16B-TS-M32	

高结构/High construction

PG21	G16B-TSH-PG21	
PG29	G16B-TSH-PG29	
M25	G16B-TSH-M25	
M32	G16B-TSH-M32	
M40	G16B-TSH-M40	



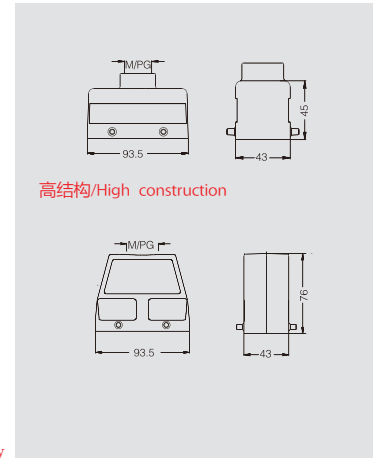
顶部进线 Top entry



螺纹 Thread	型号/Type	订货号 /Part Number
PG21	G16B-TG-PG21	
M25	G16B-TG-M25	
M32	G16B-TG-M32	

高结构/High construction

PG21	G16B-TGH-PG21	
PG29	G16B-TGH-PG29	
M25	G16B-TGH-M25	
M32	G16B-TGH-M32	
M40	G16B-TGH-M40	



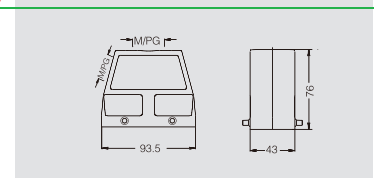
上壳侧出线/顶出线

Hoods,side&top entry,high construction



我司可提供顶部、侧面同时出线的非标品
We can provide non-standard products with both top&side entry

型号为:G16B-TSH/TGH-PG/M 如有需要请与我司联系



上壳保护盖 Protection covers for hoods



螺纹 Thread	型号/Type	订货号 /Part Number
	G16B-KDT	

带金属保护盖/With protection cover

金属盖/用于上壳 For hoods

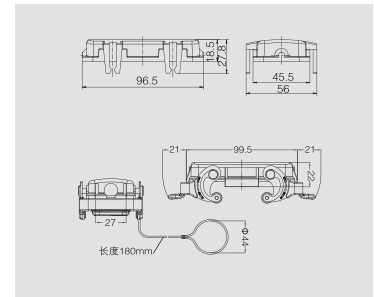


G16B-KD T-LA-1

金属盖/用于下壳 For housings



G16B-KD T-LA-2



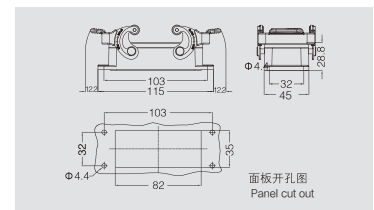
下壳底座 / Housings

外壳底座开孔安装

Bulkhead mounted



螺纹 Thread	型号/Type	订货号 /Part Number
	G16B-AG	



G16B 双扣外壳 /G16B with 2 lever on the hoods/housings



底部外壳安装开孔尺寸/Housing mounting dimensions PAGE/390

表面粉末镀层, RAL 7037 / Powder-coated, RAL 7037

防护等级 Degree of protection : IP65

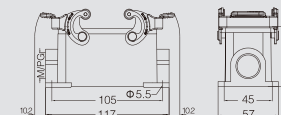
下壳底座 / Housings

外壳底座: 表面安装

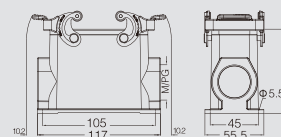
Surface mounted: Side entry



螺纹 Thread	型号/Type	订货号 /Part Number
1个进线孔 1 side entry		
PG21	G16B-SGR-PG21	
M25	G16B-SGR-M25	
2个进线孔 2 side entry		
PG21	G16B-SGR-2PG21	
M25	G16B-SGR-2M25	
高结构/High construction		
PG29	G16B-SGRH-PG29	
M32	G16B-SGRH-M32	
M40	G16B-SGRH-M40	
2个进线孔 2 side entry		
PG29	G16B-SGRH-2PG29	
M32	G16B-SGRH-2M32	
M40	G16B-SGRH-2M40	



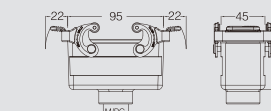
高结构/High construction



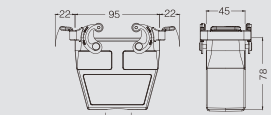
电缆对接下壳 Cable-to-cable hood



螺纹 Thread	型号/Type	订货号 /Part Number
PG21	G16B-TBF-PG21	
M25	G16B-TBF-M25	
M32	G16B-TBF-M32	
高结构/High construction		
PG21	G16B-TBFH-PG21	
PG29	G16B-TBFH-PG29	
M25	G16B-TBFH-M25	
M32	G16B-TBFH-M32	



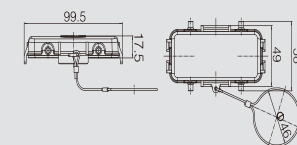
高结构/High construction



底座保护盖 Housing protection cover



螺纹 Thread	型号/Type	订货号 /Part Number
	G16B-KDB	
金属保护盖 /With protection cover		
---	金属盖用于上壳 For hoods	
	G16B-KDB-LA-1	
金属盖用于下壳 For housings		
	G16B-KDB-LA-2	



G16B 双扣外壳 / G16B with 2 lever on the hoods/housings



底部外壳安装开孔尺寸/Housing mounting dimensions PAGE/390

表面粉末镀层, RAL 7037 / Powder-coated, RAL 7037

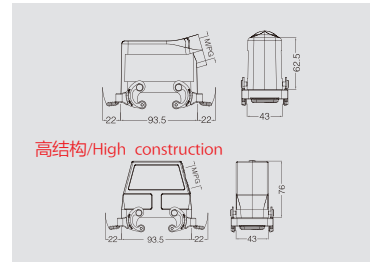
防护等级 Degree of protection : IP65

上壳 / Hoods

侧出带双扣下壳
Side entry housing with two levers



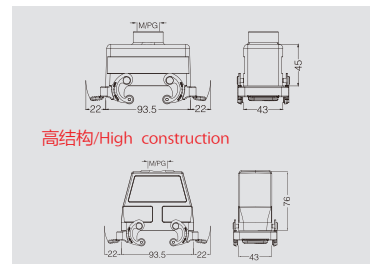
螺纹 Thread	型号/Type	订货号 /Part Number
PG21	G16B-TSB-PG21	
M25	G16B-TSB-M25	
M32	G16B-TSB-M32	
高结构/High construction		
PG21	G16B-TSBH-PG21	
PG29	G16B-TSBH-PG29	
M25	G16B-TSBH-M25	
M32	G16B-TSBH-M32	



顶出带双扣下壳
Top entry housing with two levers



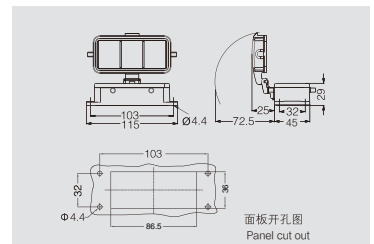
螺纹 Thread	型号/Type	订货号 /Part Number
PG21	G16B-TGB-PG21	
M25	G16B-TGB-M25	
M32	G16B-TGB-M32	
高结构/High construction		
PG21	G16B-TGBH-PG21	
PG29	G16B-TGBH-PG29	
M25	G16B-TGBH-M25	
M32	G16B-TGBH-M32	



双扣带盖开孔底座
Bulkhead mounting with hoods



螺纹 Thread	型号/Type	订货号 /Part Number
	G16B-AG-BO	
带保护盖/with protection cover		
	G16B-AD-BO	
带金属保护盖/with protection cover		
	G16B-AD-AL-BO	

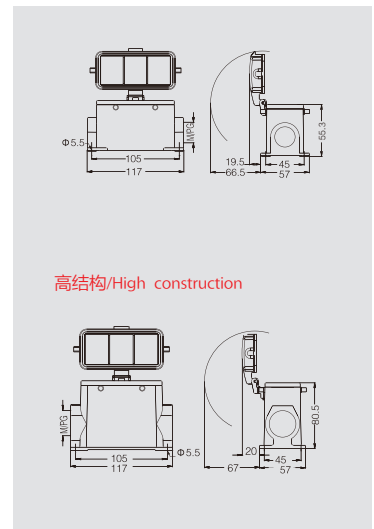


下壳底座 / Housings

双扣带盖表面安装底座
Surface mounting with hoods



螺纹 Thread	型号/Type	订货号 /Part Number
1个进线孔 1 side entry		
PG21	G16B-SDR-BO-PG21	
M25	G16B-SDR-BO-M25	
2个进线孔 2 side entry		
PG21	G16B-SDR-BO-2PG21	
M25	G16B-SDR-BO-2M25	
高结构/High construction		
1个进线孔 1 side entry		
PG21	G16B-SDRH-BO-PG21	
PG29	G16B-SDRH-BO-PG29	
M32	G16B-SDRH-BO-M32	
2个进线孔 2 side entry		
PG21	G16B-SDRH-BO-2PG21	
PG29	G16B-SDRH-BO-2PG29	
M32	G16B-SDRH-BO-2M32	



G16B单扣外壳 /G16B with 1 lever on the hoods/housings



底部外壳安装开孔尺寸/Housing mounting dimensions PAGE/390

表面粉末镀层, RAL 7037 / Powder-coated, RAL 7037

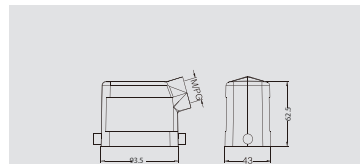
防护等级 Degree of protection : IP65

上壳 / Hoods

侧面进线 Side entry

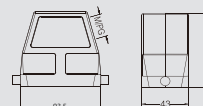


螺纹 Thread	型号/Type	订货号 /Part Number
PG21	G16B-TS-RO-PG21	
M25	G16B-TS-RO-M25	
M32	G16B-TS-RO-M32	



高结构/High construction		
PG21	G16B-TSH-RO-PG21	
PG29	G16B-TSH-RO-PG29	
M25	G16B-TSH-RO-M25	
M32	G16B-TSH-RO-M32	
M40	G16B-TSH-RO-M40	

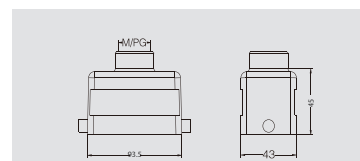
高结构/High construction



顶部进线 Top entry

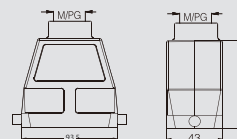


螺纹 Thread	型号/Type	订货号 /Part Number
PG21	G16B-TG-RO-PG21	
M25	G16B-TG-RO-M25	
M32	G16B-TG-RO-M32	



高结构/High construction		
PG21	G16B-TGH-RO-PG21	
PG29	G16B-TGH-RO-PG29	
M25	G16B-TGH-RO-M25	
M32	G16B-TGH-RO-M32	
M40	G16B-TGH-RO-M40	

高结构/High construction

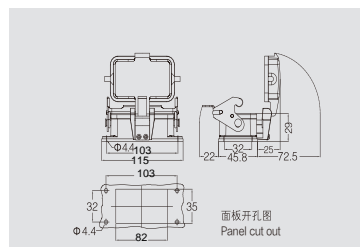


下壳底座 / Housings

外壳底座: 开孔安装 Bulkhead mounted



螺纹 Thread	型号/Type	订货号 /Part Number
	G16B-AG-LB	
	带保护盖/ith protection cover	
	G16B-AD-LB	
	上壳保护盖/protection cover	
	G16B-KDT-LB	



G16B单扣外壳 /G16B with 1 lever on the hoods/housings



底部外壳安装开孔尺寸/Housing mounting dimensions PAGE/390

表面粉末镀层, RAL 7037 / Powder-coated, RAL 7037

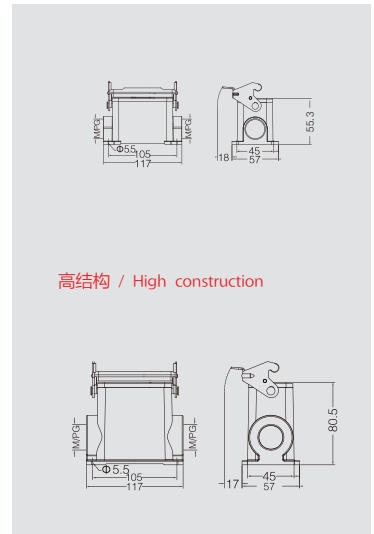
防护等级 Degree of protection : IP65

下壳底座 / Housings

外壳底座: 表面安装
Surface mounted: Side entry



螺纹 Thread	型号/Type	订货号 /Part Number
1个进线孔1 side entry		
PG21	G16B-SGR-LB-PG21	
M25	G16B-SGR-LB-M25	
2个进线孔2 side entry		
2PG21	G16B-SGR-LB-2PG21	
2M25	G16B-SGR-LB-2M25	
高结构 / High construction		
1个进线孔1 side entry		
PG21	G16B-SGRH-LB-PG21	
PG29	G16B-SGRH-LB-PG29	
M32	G16B-SGRH-LB-M32	
2个进线孔2 side entry		
PG21	G16B-SGRH-LB-2PG21	
PG29	G16B-SGRH-LB-2PG29	
M32	G16B-SGRH-LB-2M32	

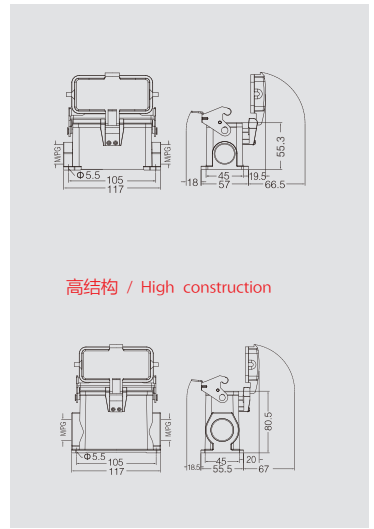


下壳底座 / Housings

带盖表面安装底座 Surface mounting



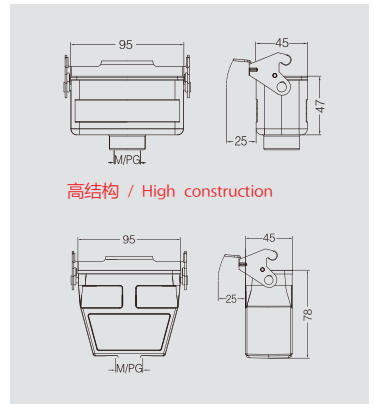
螺纹 Thread	型号/Type	订货号 /Part Number
1个进线孔1 side entry		
PG21	G16B-SDR-LB-PG21	
M25	G16B-SDR-LB-M25	
2个进线孔2 side entry		
2PG21	G16B-SDR-LB-2PG21	
2M25	G16B-SDR-LB-2M25	
高结构 / High construction		
1个进线孔1 side entry		
PG21	G16B-SDRH-LB-PG21	
PG29	G16B-SDRH-LB-PG29	
M32	G16B-SDRH-LB-M32	
2个进线孔2 side entry		
PG21	G16B-SDRH-LB-2PG21	
PG29	G16B-SDRH-LB-2PG29	
M32	G16B-SDRH-LB-2M32	



电缆对接下壳 Cable-to-cable hood



螺纹 Thread	型号/Type	订货号 /Part Number
PG21	G16B-TBF-LB-PG21	
M25	G16B-TBF-LB-M25	
M32	G16B-TBF-LB-M32	
高结构 / High construction		
PG21	G16B-TBFH-LB-PG21	
PG29	G16B-TBFH-LB-PG29	
M32	G16B-TBFH-LB-M32	
M40	G16B-TBFH-LB-M40	



G16B 耐腐蚀外壳 Metal Hoods & Housings For higher environmental requirements



底部外壳安装开孔尺寸/Housing mounting dimensions PAGE/390

表面粉末镀层, RAL 9005 / Powder-coated, RAL 9005

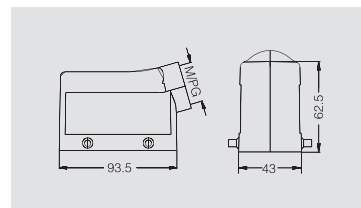
防护等级 Degree of protection : IP65

上壳 / Hoods

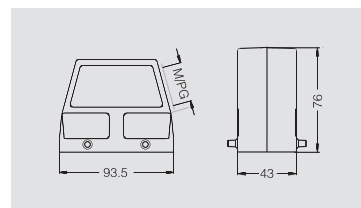
侧面进线 Side entry



螺纹 Thread	型号/Type	订货号 /Part Number
PG21	G16B-TS-M-PG21	
M25	G16B-TS-M-M25	

侧出线高结构
side entry, high construction

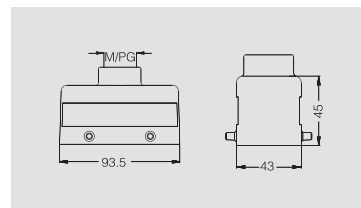
螺纹 Thread	型号/Type	订货号 /Part Number
PG29	G16B-TSH-M-PG29	
M32	G16B-TSH-M-M32	
M40	G16B-TSH-M-M40	



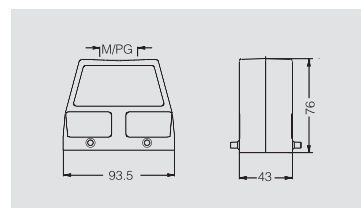
顶部进线 Top entry



螺纹 Thread	型号/Type	订货号 /Part Number
PG21	G16B-TG-M-PG21	
M25	G16B-TG-M-M25	

顶出线高结构
top entry, high construction

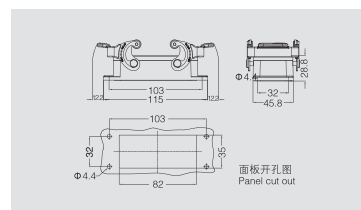
螺纹 Thread	型号/Type	订货号 /Part Number
PG29	G16B-TGH-M-PG29	
M32	G16B-TGH-M-M32	



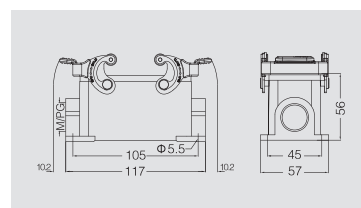
下壳底座 / Housings

外壳底座: 开孔安装
Bulkhead mounted

螺纹 Thread	型号/Type	订货号 /Part Number
---	G16B-AG-M	

外壳底座: 表面安装
Surface mounted: Side entry

螺纹 Thread	型号/Type	订货号 /Part Number
PG21	G16B-SGR-M-PG21	
M25	G16B-SGR-M-M25	



G16B耐腐蚀外壳 Metal Hoods & Housings For higher environmental requirements



底部外壳安装开孔尺寸/Housing mounting dimensions PAGE/390

表面粉末镀层, RAL 9005 / Powder-coated, RAL 9005

防护等级 Degree of protection : IP65

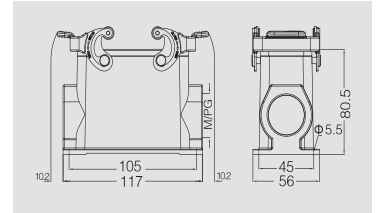
下壳底座 / Housings

封底下壳高结构

Housings, surface mounting, high construction



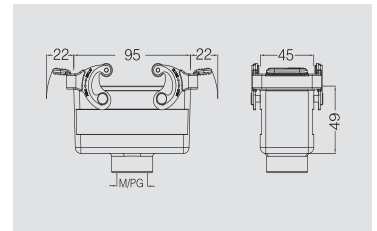
螺纹 Thread	型号/Type	订货号 /Part Number
2PG29	G16B-SGRH-M-2PG29	
2M32	G16B-SGRH-M-2M32	
2M40	G16B-SGRH-M-2M40	



电缆对接下壳 Cable-to-cable hood



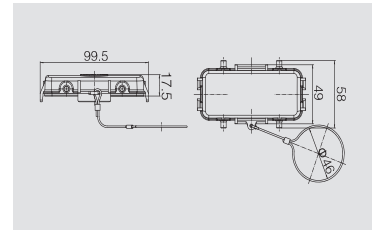
螺纹 Thread	型号/Type	订货号 /Part Number
PG21	G16B-TBF-M-PG21	



底座保护盖 Housing protection cover



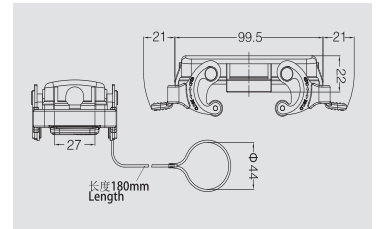
螺纹 Thread	型号/Type	订货号 /Part Number
	金属盖/用于上壳 For hoods	
	G16B-KDB-LA-M-1	
	金属盖/用于下壳 For housings	
	G16B-KDB-LA-M-2	



上壳保护盖 Protection covers for hoods



螺纹 Thread	型号/Type	订货号 /Part Number
	金属盖/用于上壳 For hoods	
	G16B-KDT-LA-M-1	
	金属盖/用于下壳 For housings	
	G16B-KDT-LA-M-2	



GK-4/8系列接插件技术特性/GK-4/8 technical characteristics



电流负载能力 / Current carrying capacity

电流负载能力所受的限制主要来自包含接插针的接插体可承受的最大温度。

测试和控制过程依据DINIEC 60512-3。

The current carrying is limited by maximum temperature of materials for inserts and contacts including terminals.

Control and test procedures according to DIN IEC 60512-3.

规范 / Specifications

DIN VDE 0627
DIN VDE 0110

插接体 / Inserts

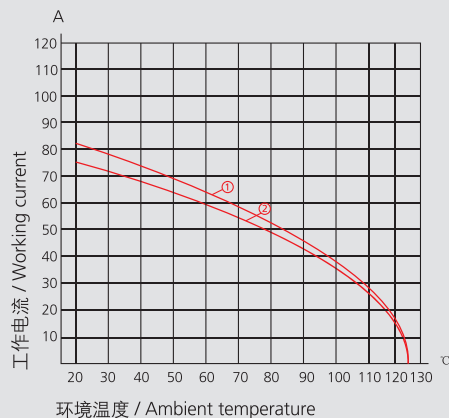
接插件针数/Number of contacts	4/8+PE
工作电源电流/Rated power current GK4/8	80 A max.
工作控制电流/Rated signal current GK4/8 (见负载图/See current carrying capacity)	16 A max.
工作电压/Working voltage GK4/8(power) GK4/8(signal)	690V 400V
测试电压/Test voltage Urms	6KV
污染等级/Pollution degree	2(C)
隔离电阻/Insulation resistance	$\geq 10^{10} \Omega$
材料/Material	Polycarbonate
工作温度范围/Temperature range	-40°C...+100°C/125°C
阻燃等级(UL94)Flammability acc.to (UI94)	V0
据UL/CSA工作电压Working voltage acc.to UL/CSA	600V/600V
可拨插次数/Mechanical working life(mating cycles)	≥ 500

接插针 / Contacts

材料/Material	铜/Copper alloy
表面处理/Surface	镀银/Hard silver-plated 镀金/Hard gold-plated
接触电阻/Contact resistance	$\leq 1m \Omega$
接线形式/Terminal -mm ² -AWG	螺钉压接/Screw terminal 1.5-16mm ² /0.5-2.5mm ² 16-6/20-14
拧紧力矩/测试力矩Tightening/test torque	0.8Nm/0.5Nm

金属上壳/底座 Hoods/Housings

材料/Material	铸铝合金/Die cast aluminium
表面处理/Surface	高温粉末镀层,灰色 Powder-coated, RAL 7037
锁定装置/Locking element	不锈钢或铁镀锌 Stainless steel, steel-zinc plated
工作温度范围/Temperature range	-40°C...+125°C
防护等级/Degree of protection acc.to DIN40 050	IP65



GK-4/8接插体 GK-4/8 inserts



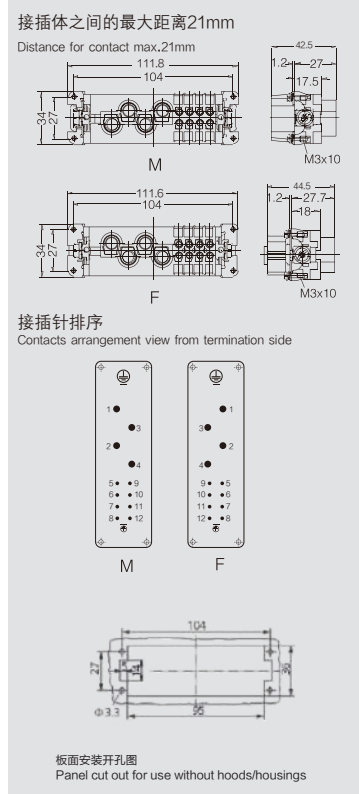
芯件适配用G24B外壳
 Inserts suit for G24B hoods/housing 690V/400V 80/16A

4/8+ ⊕

螺钉压接/Screw terminal



插芯/Inserts	型号/Type	订货号/Part Number
公 Male	GK-004/8-M	
母 Female	GK-004/8-F	



G24B 双扣外壳 /G24B with 2 lever on the hoods/housings



底部外壳安装开孔尺寸/Housing mounting dimensions PAGE/390

表面粉末镀层, RAL 7037 / Powder-coated, RAL 7037

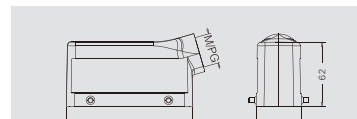
防护等级 Degree of protection : IP65

上壳 / Hoods

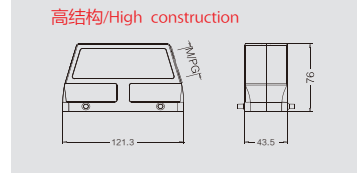
侧面进线 Side entry



螺纹 Thread	型号/Type	订货号 /Part Number
PG21	G24B-TS-PG21	
M25	G24B-TS-M25	
M32	G24B-TS-M32	



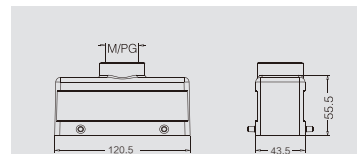
高结构/High construction		
PG21	G24B-TSH-PG21	
PG29	G24B-TSH-PG29	
M25	G24B-TSH-M25	
M32	G24B-TSH-M32	
M40	G24B-TSH-M40	



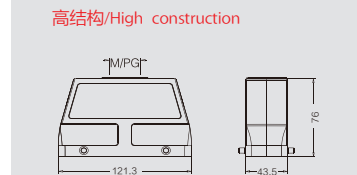
顶部进线 Top entry



螺纹 Thread	型号/Type	订货号 /Part Number
PG21	G24B-TG-PG21	
M25	G24B-TG-M25	
M32	G24B-TG-M32	



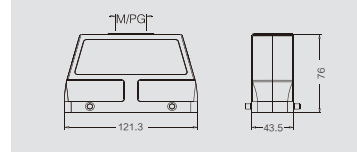
高结构/High construction		
PG21	G24B-TGH-PG21	
PG29	G24B-TGH-PG29	
M25	G24B-TGH-M25	
M32	G24B-TGH-M32	
M40	G24B-TGH-M40	

上壳侧出线/顶出线
Hoods,side&top entry,high construction

我司可提供顶部、侧面同时出线的非标品
We can provide non-standard products with both top&side entry



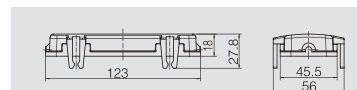
型号为:G24B-TSH/TGH-PG/M 如有需要请与我司联系



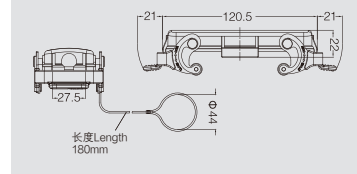
上壳保护盖 Protection covers for hoods



螺纹 Thread	型号/Type	订货号 /Part Number
	G24B-KDT	



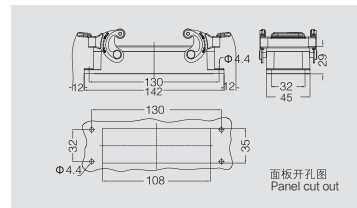
	带金属保护盖/With protection cover	
	金属盖/用于上壳 For hoods	
	G24B-KDT-LA-1	
	金属盖/用于下壳 For housings	
	G24B-KDT-LA-2	



下壳底座 / Housings

外壳底座开孔安装
Bulkhead mounted

螺纹 Thread	型号/Type	订货号 /Part Number
	G24B-AG	



G24B 双扣外壳 /G24B with 2 lever on the hoods/housings



底部外壳安装开孔尺寸/Housing mounting dimensions PAGE/390

表面粉末镀层, RAL 7037 / Powder-coated, RAL 7037

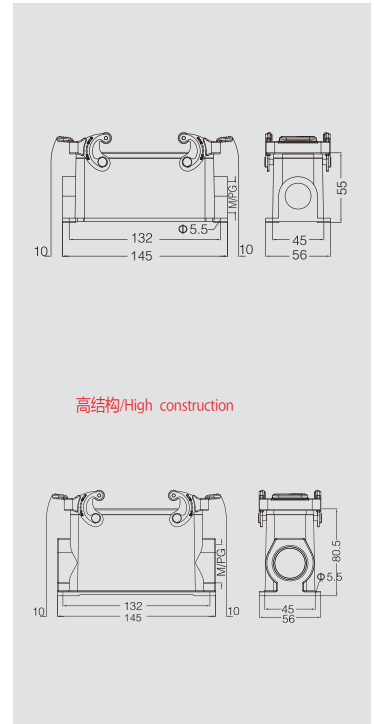
防护等级 Degree of protection : IP65

下壳底座 / Housings

外壳底座: 表面安装
Surface mounted: Side entry



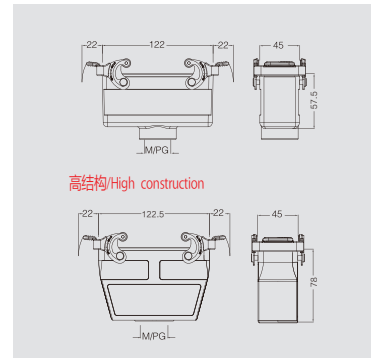
螺纹 Thread	型号/Type	订货号 /Part Number
1个进线孔 1 side entry		
PG21	G24B-SGR-PG21	
M25	G24B-SGR-M25	
2个进线孔 2 side entry		
PG21	G24B-SGR-2PG21	
M25	G24B-SGR-2M25	
高结构/High construction		
PG21	G24B-SGRH-PG21	
PG29	G24B-SGRH-PG29	
M32	G24B-SGRH-M32	
M40	G24B-SGRH-M40	
2个进线孔 2 side entry		
PG21	G24B-SGRH-2PG21	
PG29	G24B-SGRH-2PG29	
M32	G24B-SGRH-2M32	
M40	G24B-SGRH-2M40	



电缆对接下壳 Cable-to-cable hood



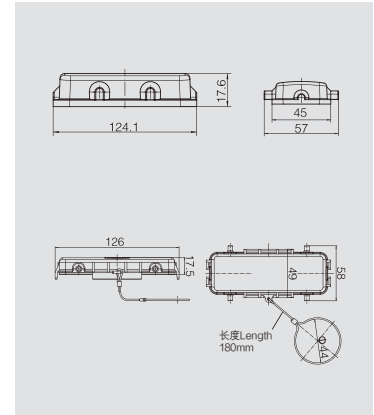
螺纹 Thread	型号/Type	订货号 /Part Number
PG21	G24B-TBF-PG21	
M25	G24B-TBF-M25	
M32	G24B-TBF-M32	
高结构/High construction		
PG21	G24B-TBFH-PG21	
PG29	G24B-TBFH-PG29	
M32	G24B-TBFH-M32	
M40	G24B-TBFH-M40	



底座保护盖 Housing protection cover



螺纹 Thread	型号/Type	订货号 /Part Number
	G24B-KDB	
金属保护盖 /With protection cover		
---	金属盖用于上壳 For hoods	
	G24B-KDB-LA-1	
金属盖/用于下壳 For housings		
	G24B-KDB-LA-2	



G24B 双扣外壳 /G24B with 2 lever on the hoods/housings



底部外壳安装开孔尺寸/Housing mounting dimensions PAGE/390

表面粉末镀层, RAL 7037 / Powder-coated, RAL 7037

防护等级 Degree of protection : IP65

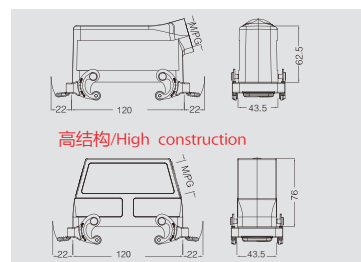
上壳 / Hoods

侧出带双扣下壳

Side entry housing with two levers



螺纹 Thread	型号/Type	订货号 /Part Number
PG21	G24B-TSB-PG21	
M25	G24B-TSB-M25	
M32	G24B-TSB-M32	
高结构/High construction		
PG21	G24B-TSBH-PG21	
PG29	G24B-TSBH-PG29	
M25	G24B-TSBH-M25	
M32	G24B-TSBH-M32	
M40	G24B-TSBH-M40	



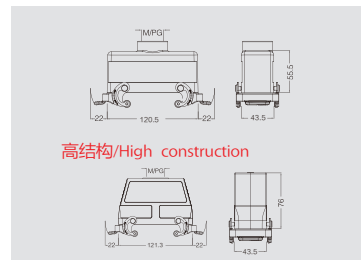
高结构/High construction

顶出带双扣下壳

Top entry housing with two levers



螺纹 Thread	型号/Type	订货号 /Part Number
PG21	G24B-TGB-PG21	
M25	G24B-TGB-M25	
M32	G24B-TGB-M32	
高结构/High construction		
PG21	G24B-TGBH-PG21	
PG29	G24B-TGBH-PG29	
M25	G24B-TGBH-M25	
M32	G24B-TGBH-M32	
M40	G24B-TGBH-M40	



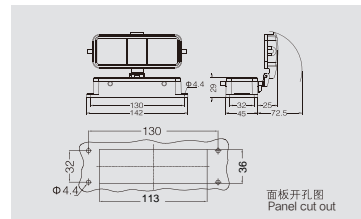
高结构/High construction

双扣带盖开孔底座

Bulkhead mounting with hoods



螺纹 Thread	型号/Type	订货号 /Part Number
	G24B-AG-BO	
带保护盖/with protection cover		
	G24B-AD-BO	
带金属保护盖/with protection cover		
	G24B-AD-LA-BO	

面板开孔图
Panel cut out

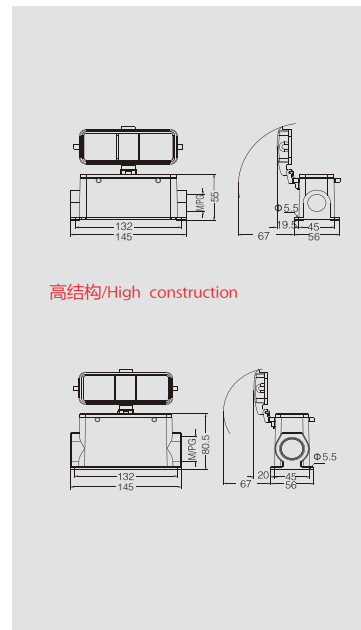
下壳底座 / Housings

双扣带盖表面安装底座

Surface mounting with hoods



螺纹 Thread	型号/Type	订货号 /Part Number
带保护盖/with protection cover		
1个进线孔 1 side entry		
PG21	G24B-SDR-BO-PG21	
M25	G24B-SDR-BO-M25	
2个进线孔 2 side entry		
PG21	G24B-SDR-BO-2PG21	
M25	G24B-SDR-BO-2M25	
高结构/High construction		
1个进线孔 1 side entry		
PG21	G24B-SDRH-BO-PG21	
PG29	G24B-SDRH-BO-PG29	
M32	G24B-SDRH-BO-M32	
M40	G24B-SDRH-BO-M40	
2个进线孔 2 side entry		
PG21	G24B-SDRH-BO-2PG21	
PG29	G24B-SDRH-BO-2PG29	
M32	G24B-SDRH-BO-2M32	
M40	G24B-SDRH-BO-2M40	



高结构/High construction

G24B单扣外壳 /G24B with 1 lever on the hoods/housings



底部外壳安装开孔尺寸/Housing mounting dimensions PAGE/390

表面粉末镀层, RAL 7037 / Powder-coated, RAL 7037

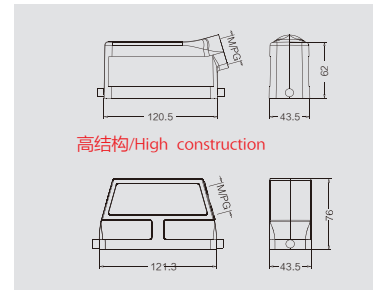
防护等级 Degree of protection : IP65

上壳 / Hoods

侧面进线 Side entry



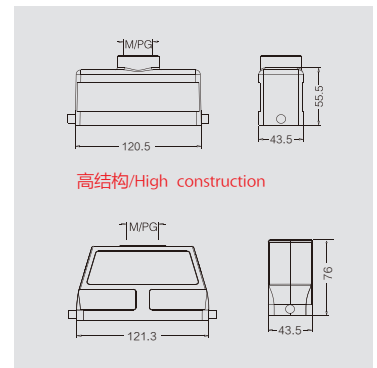
螺纹 Thread	型号/Type	订货号 /Part Number
PG21	G24B-TS-RO-PG21	
M25	G24B-TS-RO-M25	
M32	G24B-TS-RO-M32	
高结构/High construction		
PG21	G24B-TSH-RO-PG21	
PG29	G24B-TSH-RO-PG29	
M25	G24B-TSH-RO-M25	
M32	G24B-TSH-RO-M32	
M40	G24B-TSH-RO-M40	



顶部进线 Top entry



螺纹 Thread	型号/Type	订货号 /Part Number
PG21	G24B-TG-RO-PG21	
PG29	G24B-TG-RO-PG29	
M25	G24B-TG-RO-M25	
M32	G24B-TG-RO-M32	
高结构/High construction		
PG21	G24B-TGH-RO-PG21	
PG29	G24B-TGH-RO-PG29	
PG36	G24B-TGH-RO-PG36	
M25	G24B-TGH-RO-M25	
M32	G24B-TGH-RO-M32	
M40	G24B-TGH-RO-M40	

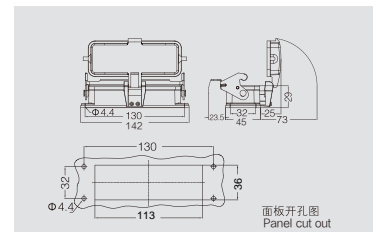


下壳底座 / Housings

外壳底座: 开孔安装 Bulkhead mounted



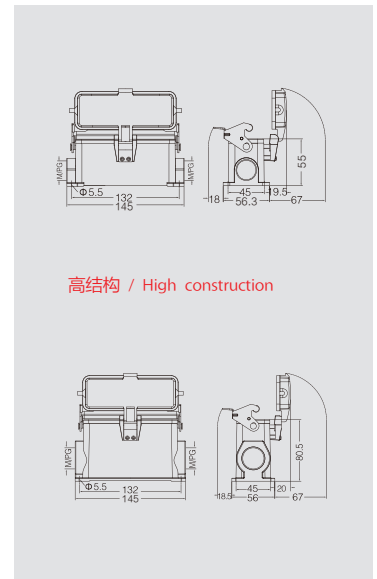
螺纹 Thread	型号/Type	订货号 /Part Number
	G24B-AG-LB	
带保护盖/ith protection cover		
	G24B-AD-LB	
上壳保护盖/protection cover		
	G24B-KDT-LB	



外壳底座: 表面安装
Surface mounted: Side entry



螺纹 Thread	型号/Type	订货号 /Part Number
1个进线孔1 side entry		
PG21	G24B-SGR-LB-PG21	
M25	G24B-SGR-LB-M25	
2个进线孔2 side entry		
2PG21	G24B-SGR-LB-2PG21	
2M25	G24B-SGR-LB-2M25	
高结构 / High construction		
1个进线孔1 side entry		
PG21	G24B-SGRH-LB-PG21	
PG29	G24B-SGRH-LB-PG29	
M32	G24B-SGRH-LB-M32	
M40	G24B-SGRH-LB-M40	
2个进线孔2 side entry		
PG21	G24B-SGRH-LB-2PG21	
PG29	G24B-SGRH-LB-2PG29	
M32	G24B-SGRH-LB-2M32	
M40	G24B-SGRH-LB-2M40	



G24B单扣外壳 /G24B with 1 lever on the hoods/housings



底部外壳安装开孔尺寸/Housing mounting dimensions PAGE/390

表面粉末镀层, RAL 7037 / Powder-coated, RAL 7037

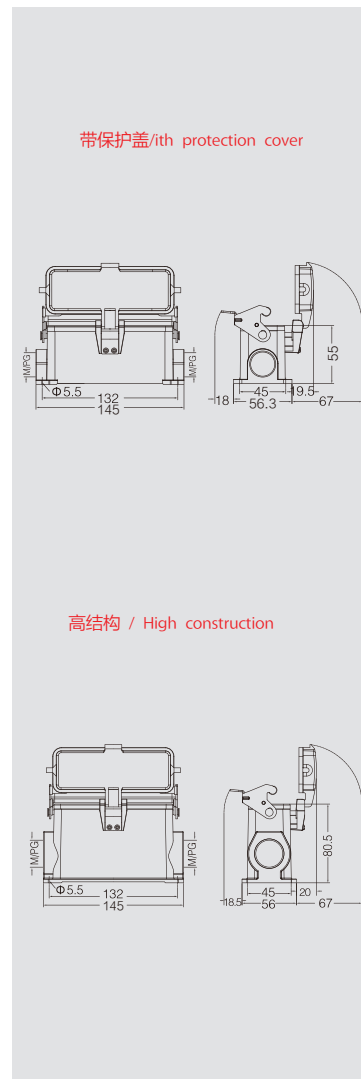
防护等级 Degree of protection : IP65

上壳 / Hoods

带盖表面安装底座 Surface mounting



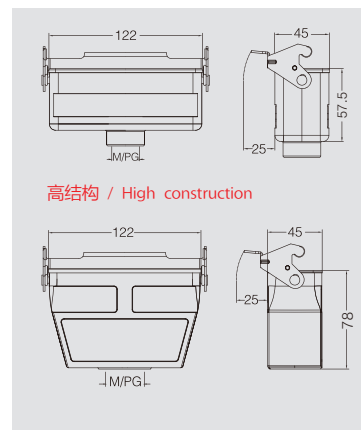
螺纹 Thread	型号/Type	订货号 /Part Number
带保护盖/With protection cover		
1个进线孔1 side entry		
PG21	G24B-SDR-LB-PG21	
M25	G24B-SDR-LB-M25	
2个进线孔2 side entry		
2PG21	G24B-SDR-LB-2PG21	
2M25	G24B-SDR-LB-2M25	
高结构 / High construction		
1个进线孔1 side entry		
PG21	G24B-SDRH-LB-PG21	
PG29	G24B-SDRH-LB-PG29	
M32	G24B-SDRH-LB-M32	
2个进线孔2 side entry		
PG21	G24B-SDRH-LB-2PG21	
PG29	G24B-SDRH-LB-2PG29	
M32	G24B-SDRH-LB-2M32	
带金属保护盖/With metal protective cover		
1个进线孔1 side entry		
PG21	G24B-SDR-LB-LA-PG21	
M25	G24B-SDR-LB-LA-M25	
2个进线孔2 side entry		
2PG21	G24B-SDR-LB-LA-2PG21	
2M25	G24B-SDR-LB-LA-2M25	
高结构 / High construction		
1个进线孔1 side entry		
PG21	G24B-SDRH-LB-LA-PG21	
PG29	G24B-SDRH-LB-LA-PG29	
M32	G24B-SDRH-LB-LA-M32	
2个进线孔2 side entry		
PG21	G24B-SDRH-LB-LA-2PG21	
PG29	G24B-SDRH-LB-LA-2PG29	
M32	G24B-SDRH-LB-LA-2M32	



电缆对接下壳 Cable-to-cable hood



螺纹 Thread	型号/Type	订货号 /Part Number
PG21	G24B-TBF-LB-PG21	
PG29	G24B-TBF-LB-PG29	
M25	G24B-TBF-LB-M25	
M32	G24B-TBF-LB-M32	
高结构 / High construction		
PG21	G24B-TBFH-LB-PG21	
PG29	G24B-TBFH-LB-PG29	
M32	G24B-TBFH-LB-M32	
M40	G24B-TBFH-LB-M40	



G24B 耐腐蚀外壳 Metal Hoods & Housings For higher environmental requirements



底部外壳安装开孔尺寸/Housing mounting dimensions PAGE/390

表面粉末镀层, RAL 9005 / Powder-coated, RAL 9005

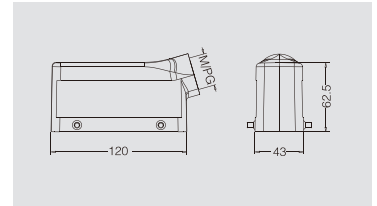
防护等级 Degree of protection : IP65

上壳 / Hoods

侧出线 side entry



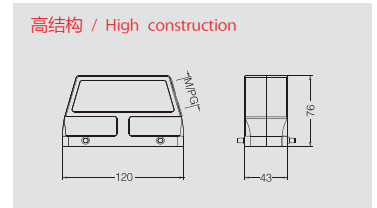
螺纹 Thread	型号/Type	订货号 /Part Number
PG21	G24B-TS-M-PG21	
M25	G24B-TS-M-M25	



侧出线高结构 side entry, high construction



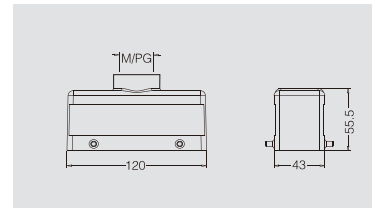
螺纹 Thread	型号/Type	订货号 /Part Number
高结构 / High construction		
PG29	G24B-TSH-M-PG29	
M32	G24B-TSH-M-M32	
M40	G24B-TSH-M-M40	



顶出线 top entry



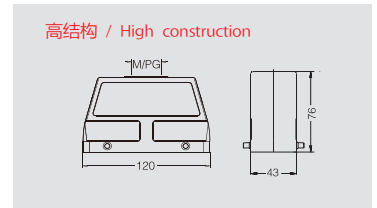
螺纹 Thread	型号/Type	订货号 /Part Number
PG21	G24B-TG-M-PG21	
M25	G24B-TG-M-M25	



顶出线高结构 top entry, high construction



螺纹 Thread	型号/Type	订货号 /Part Number
高结构 / High construction		
PG29	G24B-TGH-M-PG29	
M32	G24B-TGH-M-M32	

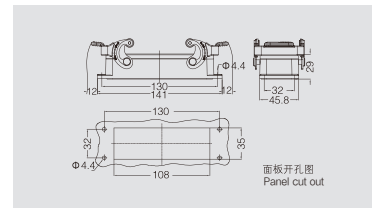


下壳底座 / Housings

不封底下壳 Housings, bulkhead mounting



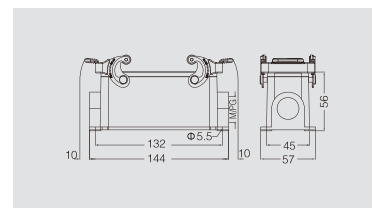
螺纹 Thread	型号/Type	订货号 /Part Number
—	G24B-AG-M	



封底下壳 Housings, surface mounting



螺纹 Thread	型号/Type	订货号 /Part Number
PG21	G24B-SGR-M-PG21	
M25	G24B-SGR-M-M25	



G24B耐腐蚀外壳 Metal Hoods & Housings For higher environmental requirements



底部外壳安装开孔尺寸/Housing mounting dimensions PAGE/390

表面粉末镀层, RAL 9005 / Powder-coated, RAL 9005

防护等级 Degree of protection : IP65

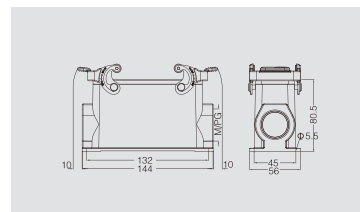
下壳底座 / Housings

封底下壳高结构

Housings, surface mounting, high construction



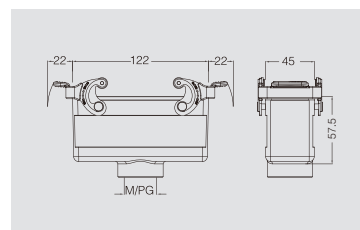
螺纹 Thread	型号/Type	订货号 /Part Number
2PG29	G24B-SGRH-M-2PG29	
2M32	G24B-SGRH-M-2M32	
2M40	G24B-SGRH-M-2M40	



电缆对接下壳 Cable-to-cable hood



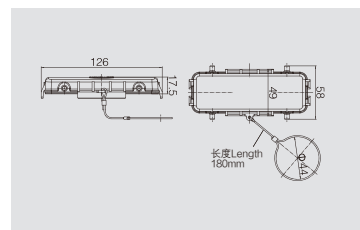
螺纹 Thread	型号/Type	订货号 /Part Number
PG21	G24B-TBF-M-PG21	



底座保护盖 Housing protection cover



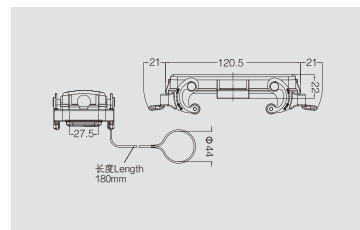
螺纹 Thread	型号/Type	订货号 /Part Number
	金属盖/用于上壳 For hoods	
	G24B-KDB-LA-M-1	
	金属盖/用于下壳 For housings	
	G24B-KDB-LA-M-2	



上壳保护盖 Protection covers for hoods



螺纹 Thread	型号/Type	订货号 /Part Number
	金属盖/用于上壳 For hoods	
	G24B-KDT-LA-M-1	
	金属盖/用于下壳 For housings	
	G24B-KDT-LA-M-2	



GK-6/6接插体, GK-6/6 inserts



芯件适配用G16B外壳

Inserts suit for G16B hoods/housing

6/6+ ⊕

690V/400V 40/16A

6/6+ ⊕

技术参数 / Technical Characteristics

规范/Specifications DIN EN 60 664
DIN EN 61 984

插芯 / Inserts

接插件针数/Number of contacts 6/6+PE

依据 EN 61984的电气数据 Electrical Data Acc. To EN61984

电力区 Power Area

-额定电流/-Rated Current 40A
-额定电压/-Rated Voltage 400/690V
-额定脉冲电压/-Rated Impulse Voltage 6kV
-污染程度/-Pollution Degree 3

信号区 Signal Area

-额定电流/-Rated Current 40A
-额定电压/-Rated Voltage 400/690V
-额定脉冲电压/-Rated Impulse Voltage 6kV
-污染程度/-Pollution Degree 3

依据UL/CSA额定电压/Rated Voltage Acc.to UI CSA 600V/230V

绝缘电阻/Insulation resistance $\geq 10^{10} \Omega$

材料/Material 聚碳酸酯 Polycarbonate

工作温度范围/Temperature range -40°C ... +125°C

依据UL 94的阻燃等级/Flammability Acc. To UI94 V0

可拨插次数/Mechanical working life(mating cycles) ≥ 500

插针 / Contacts

材料/Material 铜合金/Copper Alloy

表面处理/Surface 镀银/Hard silver-plated

接触电阻/Contact resistance $\leq 0.3m \Omega / 1m \Omega$

接线形式/Terminal 螺钉压接/Screw terminal

导线规格/Wire gauge

电力区 Power Area

-mm² 4-10mm²

-AWG 12-8

信号区 Signal Area

-mm² 1.0-2.5mm²

-AWG 18-4

拧紧力矩/-Tightening Torque

电力区 Power Area

-mm² 1.5/2.5/4/6/10/16

-Nm 1.2/2/3/3/3/3/3

信号区 Signal Area 0.5Nm

螺钉压接/Screw terminal



插芯 Inserts	型号/Type	订货号 /Part Number
公 Male	GK-006/6-M	
母 Female	GK-006/6-F	

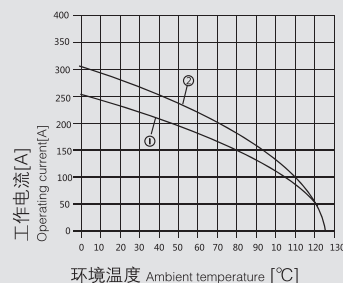
电流负载能力 / Current Carrying Capacity

电流负载能力所受的限制主要来自包含接插针的接插体可承受的最大温度。

测试和控制过程依据 DIN EN 60512-5。

The current carrying is limited by maximum temperature of materials for Inserts and contacts including terminals.

Measuring and testing techniques according to DIN EN 60512-5.



① 24B外壳带3个模块, 导线截面: 50mm²

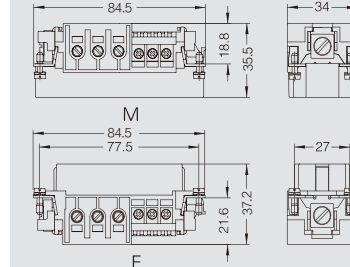
② 24B外壳带3个模块, 导线截面: 70mm²

① 24 B hoods/housings with 3 modules, wire gauge:50mm²

② 24 B hoods/housings with 3 modules, wire gauge:70mm²

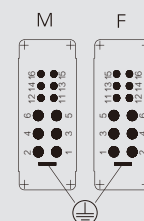
接插体之间的最大距离21mm

Distance for contact max.21mm



接插针排序

Contacts arrangement view from termination side



G16B 双扣外壳 /G16B with 2 lever on the hoods/housings



底部外壳安装开孔尺寸/Housing mounting dimensions PAGE/390

表面粉末镀层, RAL 7037 / Powder-coated, RAL 7037

防护等级 Degree of protection : IP65

上壳 / Hoods

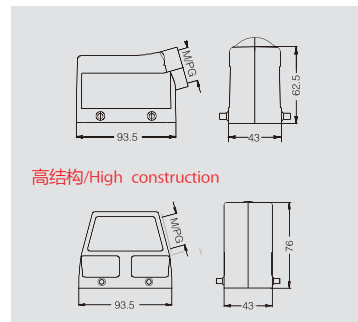
侧面进线 Side entry



螺纹 Thread	型号/Type	订货号 /Part Number
PG21	G16B-TS-PG21	
M25	G16B-TS-M25	
M32	G16B-TS-M32	



高结构/High construction		
PG21	G16B-TSH-PG21	
PG29	G16B-TSH-PG29	
M25	G16B-TSH-M25	
M32	G16B-TSH-M32	
M40	G16B-TSH-M40	



高结构/High construction

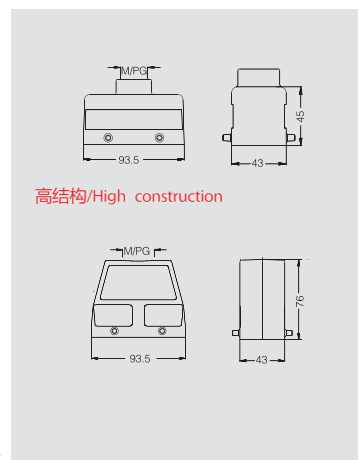
顶部进线 Top entry



螺纹 Thread	型号/Type	订货号 /Part Number
PG21	G16B-TG-PG21	
M25	G16B-TG-M25	
M32	G16B-TG-M32	



高结构/High construction		
PG21	G16B-TGH-PG21	
PG29	G16B-TGH-PG29	
M25	G16B-TGH-M25	
M32	G16B-TGH-M32	
M40	G16B-TGH-M40	



高结构/High construction

H

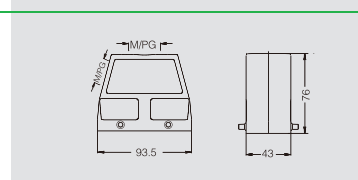
上壳侧出线/顶出线

Hoods, side & top entry, high construction



我司可提供顶部、侧面同时出线的非标品
We can provide non-standard products with both top & side entry

型号为:G16B-TSH/TGH-PG/M 如有需要请与我司联系



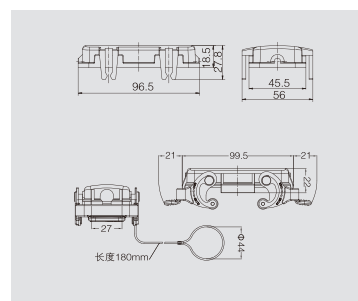
上壳保护盖 Protection covers for hoods



螺纹 Thread	型号/Type	订货号 /Part Number
	G16B-KDT	



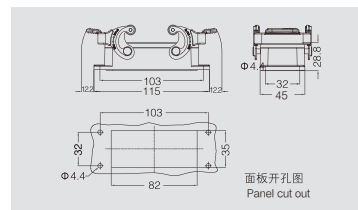
带金属保护盖/With protection cover		
	金属盖/用于上壳 For hoods	
	G16B-KD T-LA-1	
	金属盖/用于下壳 For housings	
	G16B-KD T-LA-2	



下壳底座 / Housings

外壳底座:开孔安装
Bulkhead mounted

螺纹 Thread	型号/Type	订货号 /Part Number
	G16B-AG	

面板开孔图
Panel cut out

G16B 双扣外壳 /G16B with 2 lever on the hoods/housings



底部外壳安装开孔尺寸/Housing mounting dimensions PAGE/390

表面粉末镀层, RAL 7037 / Powder-coated, RAL 7037

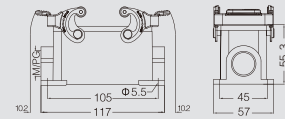
防护等级 Degree of protection : IP65

下壳底座 / Housings

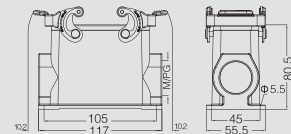
外壳底座: 表面安装
Surface mounted: Side entry



螺纹 Thread	型号/Type	订货号 /Part Number
1个进线孔 1 side entry		
PG21	G16B-SGR-PG21	
M25	G16B-SGR-M25	
2个进线孔 2 side entry		
PG21	G16B-SGR-2PG21	
M25	G16B-SGR-2M25	
高结构/High construction		
PG29	G16B-SGRH-PG29	
M32	G16B-SGRH-M32	
M40	G16B-SGRH-M40	
2个进线孔 2 side entry		
PG29	G16B-SGRH-2PG29	
M32	G16B-SGRH-2M32	
M40	G16B-SGRH-2M40	



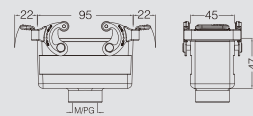
高结构/High construction



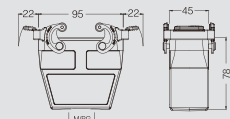
电缆对接下壳 Cable-to-cable hood



螺纹 Thread	型号/Type	订货号 /Part Number
PG21	G16B-TBF-PG21	
M25	G16B-TBF-M25	
M32	G16B-TBF-M32	
高结构/High construction		
PG21	G16B-TBFH-PG21	
PG29	G16B-TBFH-PG29	
M25	G16B-TBFH-M25	
M32	G16B-TBFH-M32	



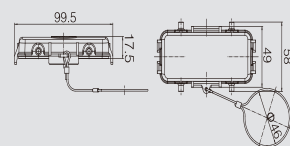
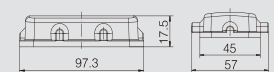
高结构/High construction



底座保护盖 Housing protection cover



螺纹 Thread	型号/Type	订货号 /Part Number
	G16B-KDB	
金属保护盖 /With protection cover		
金属盖用于上壳 For hoods		
	G16B-KDB-LA-1	
金属盖用于下壳 For housings		
	G16B-KDB-LA-2	



G16B 双扣外壳 /G16B with 2 lever on the hoods/housings



底部外壳安装开孔尺寸/Housing mounting dimensions PAGE/390

表面粉末镀层, RAL 7037 / Powder-coated, RAL 7037

防护等级 Degree of protection : IP65

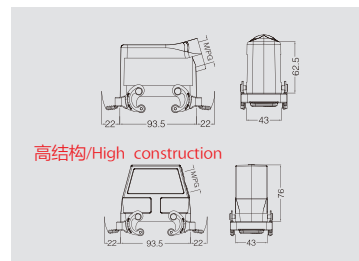
上壳 / Hoods

侧出带双扣下壳

Side entry housing with two levers



螺纹 Thread	型号/Type	订货号 /Part Number
PG21	G16B-TSB-PG21	
M25	G16B-TSB-M25	
M32	G16B-TSB-M32	
高结构/High construction		
PG21	G16B-TSBH-PG21	
PG29	G16B-TSBH-PG29	
M25	G16B-TSBH-M25	
M32	G16B-TSBH-M32	

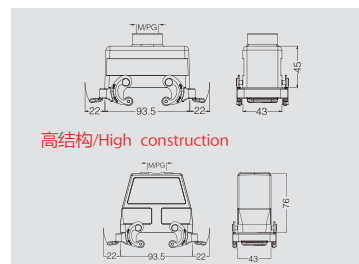


顶出带双扣下壳

Top entry housing with two levers



螺纹 Thread	型号/Type	订货号 /Part Number
PG21	G16B-TGB-PG21	
M25	G16B-TGB-M25	
M32	G16B-TGB-M32	
高结构/High construction		
PG21	G16B-TGBH-PG21	
PG29	G16B-TGBH-PG29	
M25	G16B-TGBH-M25	
M32	G16B-TGBH-M32	

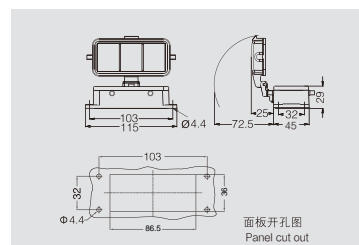


双扣带盖开孔底座

Bulkhead mounting with hoods



螺纹 Thread	型号/Type	订货号 /Part Number
	G16B-AG-BO	
带保护盖/with protection cover		
	G16B-AD-BO	
带金属保护盖/with protection cover		
	G16B-AD-AL-BO	



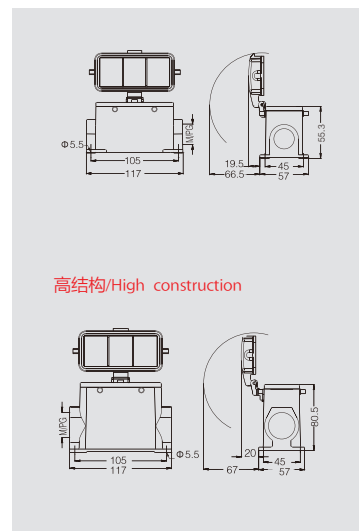
下壳底座 / Housings

双扣带盖表面安装底座

Surface mounting with hoods



螺纹 Thread	型号/Type	订货号 /Part Number
1个进线孔 1 side entry		
PG21	G16B-SDR-BO-PG21	
M25	G16B-SDR-BO-M25	
2个进线孔 2 side entry		
PG21	G16B-SDR-BO-2PG21	
M25	G16B-SDR-BO-2M25	
高结构/High construction		
1个进线孔 1 side entry		
PG21	G16B-SDRH-BO-PG21	
PG29	G16B-SDRH-BO-PG29	
M32	G16B-SDRH-BO-M32	
2个进线孔 2 side entry		
PG21	G16B-SDRH-BO-2PG21	
PG29	G16B-SDRH-BO-2PG29	
M32	G16B-SDRH-BO-2M32	



G16B单扣外壳 /G16B with 1 lever on the hoods/housings



底部外壳安装开孔尺寸/Housing mounting dimensions PAGE/390

表面粉末镀层, RAL 7037 / Powder-coated, RAL 7037

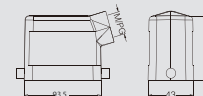
防护等级 Degree of protection : IP65

上壳 / Hoods

侧面进线 Side entry



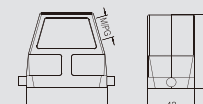
螺纹 Thread	型号/Type	订货号 /Part Number
PG21	G16B-TS-RO-PG21	
M25	G16B-TS-RO-M25	
M32	G16B-TS-RO-M32	



高结构/High construction



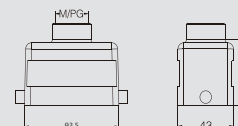
高结构/High construction		
PG21	G16B-TSH-RO-PG21	
PG29	G16B-TSH-RO-PG29	
M25	G16B-TSH-RO-M25	
M32	G16B-TSH-RO-M32	
M40	G16B-TSH-RO-M40	



顶部进线 Top entry



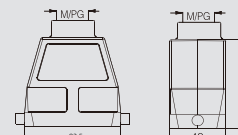
螺纹 Thread	型号/Type	订货号 /Part Number
PG21	G16B-TG-RO-PG21	
M25	G16B-TG-RO-M25	
M32	G16B-TG-RO-M32	



高结构/High construction



高结构/High construction		
PG21	G16B-TGH-RO-PG21	
PG29	G16B-TGH-RO-PG29	
M25	G16B-TGH-RO-M25	
M32	G16B-TGH-RO-M32	
M40	G16B-TGH-RO-M40	

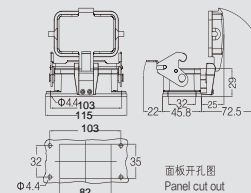


下壳底座 / Housings

外壳底座: 开孔安装 Bulkhead mounted



螺纹 Thread	型号/Type	订货号 /Part Number
	G16B-AG-LB	
	带保护盖/with protection cover	
	G16B-AD-LB	
	上壳保护盖/protection cover	
	G16B-KDT-LB	



面板开孔图
Panel cut out

G16B单扣外壳 /G16B with 1 lever on the hoods/housings



底部外壳安装开孔尺寸/Housing mounting dimensions PAGE/390

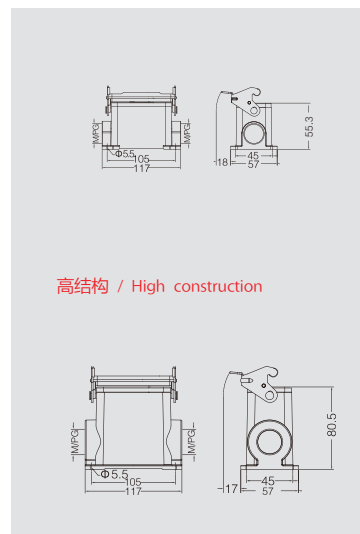
表面粉末镀层, RAL 7037 / Powder-coated, RAL 7037

防护等级 Degree of protection : IP65

下壳底座 / Housings

外壳底座: 表面安装
Surface mounted: Side entry

螺纹 Thread	型号/Type	订货号 /Part Number
1个进线孔1 side entry		
PG21	G16B-SGR-LB-PG21	
M25	G16B-SGR-LB-M25	
2个进线孔2 side entry		
2PG21	G16B-SGR-LB-2PG21	
2M25	G16B-SGR-LB-2M25	
高结构 / High construction		
1个进线孔1 side entry		
PG21	G16B-SGRH-LB-PG21	
PG29	G16B-SGRH-LB-PG29	
M32	G16B-SGRH-LB-M32	
2个进线孔2 side entry		
PG21	G16B-SGRH-LB-2PG21	
PG29	G16B-SGRH-LB-2PG29	
M32	G16B-SGRH-LB-2M32	

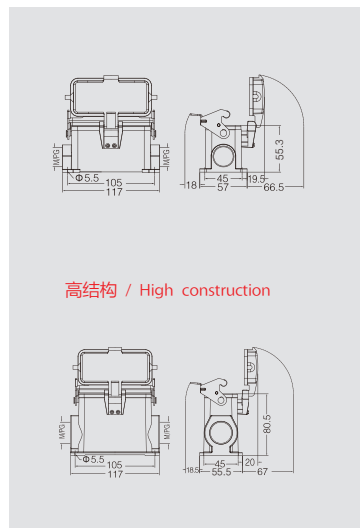


下壳底座 / Housings

带盖表面安装底座 Surface mounting



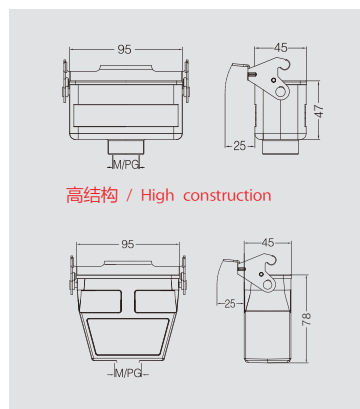
螺纹 Thread	型号/Type	订货号 /Part Number
1个进线孔1 side entry		
PG21	G16B-SDR-LB-PG21	
M25	G16B-SDR-LB-M25	
2个进线孔2 side entry		
2PG21	G16B-SDR-LB-2PG21	
2M25	G16B-SDR-LB-2M25	
高结构 / High construction		
1个进线孔1 side entry		
PG21	G16B-SDRH-LB-PG21	
PG29	G16B-SDRH-LB-PG29	
M32	G16B-SDRH-LB-M32	
2个进线孔2 side entry		
PG21	G16B-SDRH-LB-2PG21	
PG29	G16B-SDRH-LB-2PG29	
M32	G16B-SDRH-LB-2M32	



电缆对接下壳 Cable-to-cable hood



螺纹 Thread	型号/Type	订货号 /Part Number
PG21	G16B-TBF-LB-PG21	
M25	G16B-TBF-LB-M25	
M32	G16B-TBF-LB-M32	
高结构 / High construction		
PG21	G16B-TBFH-LB-PG21	
PG29	G16B-TBFH-LB-PG29	
M32	G16B-TBFH-LB-M32	
M40	G16B-TBFH-LB-M40	



G16B 耐腐蚀外壳 Metal Hoods & Housings For higher environmental requirements



底部外壳安装开孔尺寸/Housing mounting dimensions PAGE/390

表面粉末镀层, RAL 9005 / Powder-coated, RAL 9005

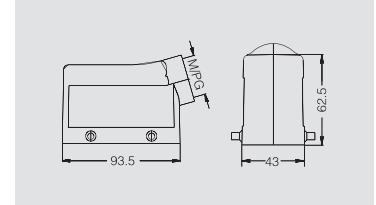
防护等级 Degree of protection : IP65

上壳 / Hoods

侧面进线 Side entry



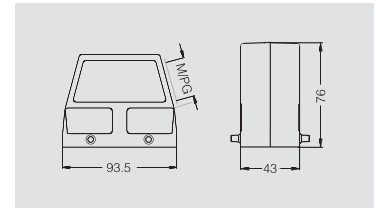
螺纹 Thread	型号/Type	订货号 /Part Number
PG21	G16B-TS-M-PG21	
M25	G16B-TS-M-M25	



侧出线高结构 side entry, high construction



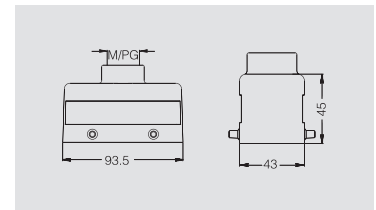
螺纹 Thread	型号/Type	订货号 /Part Number
PG29	G16B-TSH-M-PG29	
M32	G16B-TSH-M-M32	
M40	G16B-TSH-M-M40	



顶部进线 Top entry



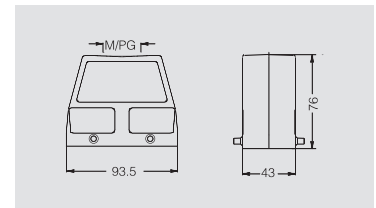
螺纹 Thread	型号/Type	订货号 /Part Number
PG21	G16B-TG-M-PG21	
M25	G16B-TG-M-M25	



顶出线高结构 top entry, high construction



螺纹 Thread	型号/Type	订货号 /Part Number
PG29	G16B-TGH-M-PG29	
M32	G16B-TGH-M-M32	

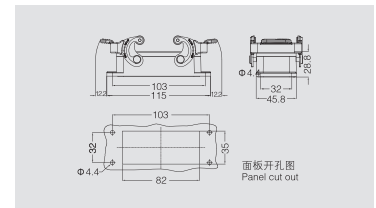


下壳底座 / Housings

外壳底座: 开孔安装 Bulkhead mounted



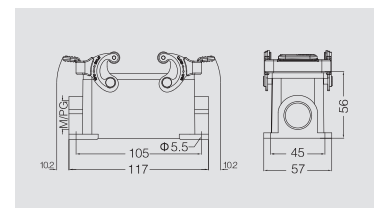
螺纹 Thread	型号/Type	订货号 /Part Number
---	G16B-AG-M	



外壳底座: 表面安装 Surface mounted: Side entry



螺纹 Thread	型号/Type	订货号 /Part Number
PG21	G16B-SGR-M-PG21	
M25	G16B-SGR-M-M25	



G16B耐腐蚀外壳 Metal Hoods & Housings For higher environmental requirements



底部外壳安装开孔尺寸/Housing mounting dimensions PAGE/390

表面粉末镀层, RAL 9005 / Powder-coated, RAL 9005

防护等级 Degree of protection : IP65

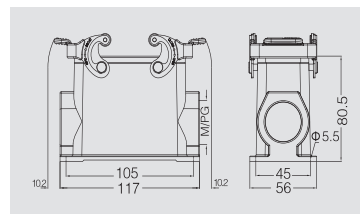
下壳底座 / Housings

封底下壳高结构

Housings, surface mounting, high construction



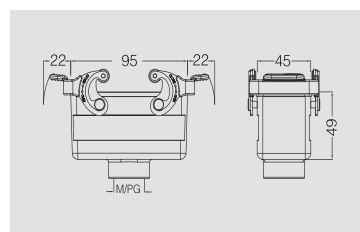
螺纹 Thread	型号/Type	订货号 /Part Number
2PG29	G16B-SGRH-M-2PG29	
2M32	G16B-SGRH-M-2M32	
2M40	G16B-SGRH-M-2M40	



电缆对接下壳 Cable-to-cable hood



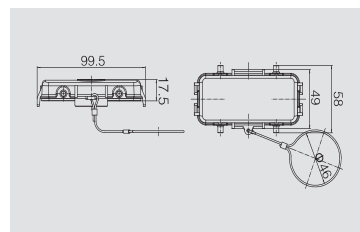
螺纹 Thread	型号/Type	订货号 /Part Number
PG21	G16B-TBF-M-PG21	



底座保护盖 Housing protection cover



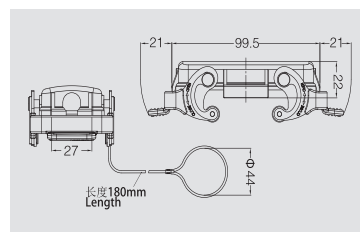
螺纹 Thread	型号/Type	订货号 /Part Number
	金属盖/用于上壳 For hoods	
	G16B-KDB-LA-M-1	
	金属盖/用于下壳 For housings	
	G16B-KDB-LA-M-2	



上壳保护盖 Protection covers for hoods



螺纹 Thread	型号/Type	订货号 /Part Number
	金属盖/用于上壳 For hoods	
	G16B-KDT-LA-M-1	
	金属盖/用于下壳 For housings	
	G16B-KDT-LA-M-2	



GKM-4/4接插体, GKM-4/4 inserts



芯件适配用G10B外壳
 Inserts suit for G10B hoods/housing **4/4+** 690V/250V 70/16A

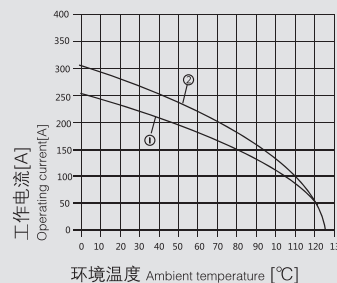
4/4+

技术参数 / Technical Characteristics

规范/Specifications	DIN EN 60 664 DIN EN 61 984
插芯 / Inserts	
接插件针数/Number of contacts	4/4+PE
依据 EN 61984的电气数据 Electrical Data Acc. To EN61984	
电力区 Power Area	
-额定电流/-Rated Current	70A
-额定电压/-Rated Voltage	690V
-额定脉冲电压/-Rated Impulse Voltage	8kV
-污染程度/-Pollution Degree	3
信号区 Signal Area	
-额定电流/-Rated Current	16A
-额定电压/-Rated Voltage	250V
-额定脉冲电压/-Rated Impulse Voltage	4kV
-污染程度/-Pollution Degree	3
依据UL/CSA额定电压/Rated Voltage Acc.to UI CSA	600V/230V
绝缘电阻/Insulation resistance	≥10 ¹⁰ Ω
材料/Material	聚碳酸酯 Polycarbonate
工作温度范围/Temperature range	-40°C...+125°C
依据UL 94的阻燃等级/Flammability Acc. To UI94	V0
可拨插次数/Mechanical working life(mating cycles)	≥500
插针 / Contacts	
材料/Material	铜合金/Copper Alloy
表面处理/Surface	镀银/Hard silver-plated
接触电阻/Contact resistance	≤0.3m Ω /1m Ω
接线形式/Terminal	轴向螺栓连接/AxialScrewTerminal
导线规格/Wire gauge	
电力区 Power Area	
-mm ²	10-25mm ²
-AWG	8-4
信号区 Signal Area	
-mm ²	1.0-2.5mm ²
-AWG	18-14
拧紧力矩/-Tightening Torque	
电力区 Power Area	
-mm ²	1.5/2.5/4/6/10/16
-Nm	1.2/2/3/3/3/3/3
信号区 Signal Area	
	0.5N.m

电流负载能力 / Current Carrying Capacity

电流负载能力所受的限制主要来自包含接插针的接插体可承受的最大温度。
 测试和控制过程依据 DIN EN 60512-5。
 The current carrying is limited by maximum temperature of materials for Inserts and contacts including terminals.
 Measuring and testing techniques according to DINEN 60512-5.



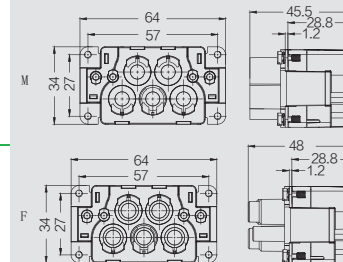
- ① 24B外壳带3个模块, 导线截面: 50mm²
- ② 24B外壳带3个模块, 导线截面: 70mm²
- ① 24 B hoods/housings with 3 modules, wire gauge:50mm²
- ② 24 B hoods/housings with 3 modules, wire gauge:70mm²

轴向螺栓连接 Axial Screw Terminal

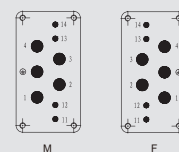


插芯 Inserts	型号/Type	订货号 /Part Number
公 Male	GKM-004.1/4-MA(6-16mm ²)	
公 Male	GKM-004.2/4-MA(10-22mm ²)	
母 Female	GKM-004.1/4-FA(6-16mm ²)	
母 Female	GKM-004.2/4-FA(10-22mm ²)	

接插体之间的最大距离21mm
 Distance for contact max.21mm



接插针排序
 Contacts arrangement view from termination side

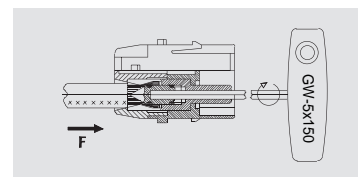


附件 / Accessories

工具 Tools
 内六角扳手 Hexagonal driver



描述 Description	型号/Type	/Part Number
用于轴向夹紧螺栓 带T型把手 For Axial Setscrew With Grip	GW-2.5x100	



G10B带双扣外壳 / G10B with 2 lever on the hoods/housings



底部外壳安装开孔尺寸/Housing mounting dimensions PAGE/390

表面粉末镀层, RAL 7037 / Powder-coated, RAL 7037

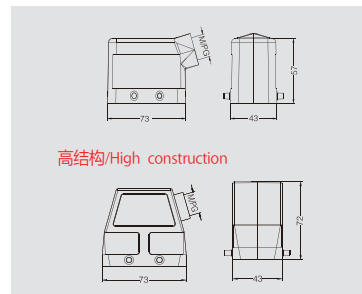
防护等级 Degree of protection : IP65

上壳 / Hoods

侧面进线 Side entry



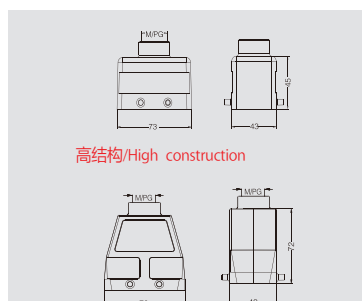
螺纹 Thread	型号/Type	订货号 /Part Number
PG16	G10B-TS-PG16	
M20	G10B-TS-M20	
M25	G10B-TS-M25	
高结构/High construction		
PG21	G10B-TSH-PG21	
PG29	G10B-TSH-PG29	
M25	G10B-TSH-M25	
M32	G10B-TSH-M32	



顶部进线 Top entry

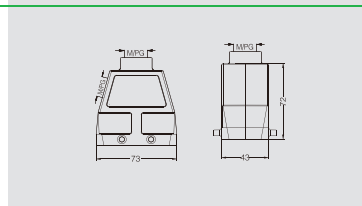


螺纹 Thread	型号/Type	订货号 /Part Number
PG16	G10B-TG-PG16	
M20	G10B-TG-M20	
M25	G10B-TG-M25	
高结构/High construction		
PG21	G10B-TGH-PG21	
PG29	G10B-TGH-PG29	
M25	G10B-TG H-M25	
M32	G10B-TGH-M32	

上壳侧出线/顶出线
Hoods,side&top entry,high construction

我司可提供顶部、侧面同时出线的非标品
We can provide non-standard products with both top&side entry

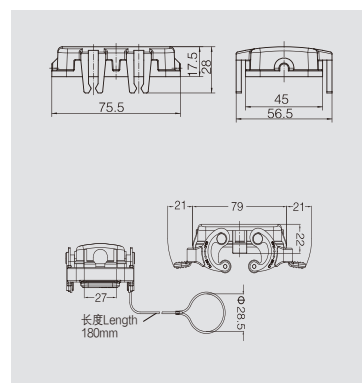
型号为:G10-TSH/TGH-PG/M 如有需要请与我司联系



上壳保护盖 Protection covers for hoods



螺纹 Thread	型号/Type	订货号 /Part Number
	G10B-KDT	
带金属保护盖 /With protection cover		
	金属盖/用于上壳 For hoods	
	G10B-KD T-LA-1	
金属盖/用于下壳 For housings		
	G10B-KD T-LA-2	

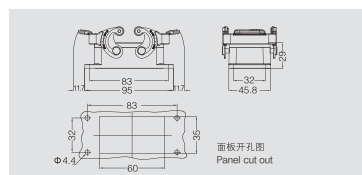


下壳底座 / Housings

外壳底座: 开孔安装 Bulkheadmounted



螺纹 Thread	型号/Type	订货号 /Part Number
	G10B-AG	



G10B带双扣外壳 / G10B with 2 lever on the hoods/housings



底部外壳安装开孔尺寸/Housing mounting dimensions PAGE/390

表面粉末镀层, RAL 7037 / Powder-coated, RAL 7037

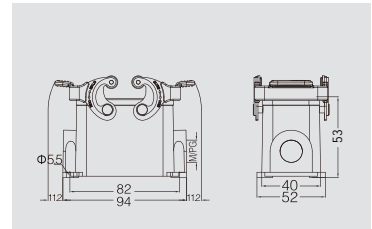
防护等级 Degree of protection : IP65

下壳底座 / Housings

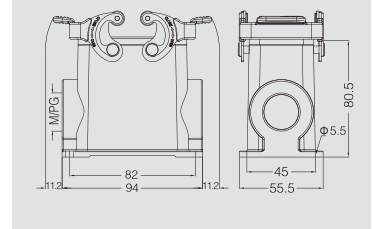
外壳底座: 表面安装
Surface mounted: Side entry



螺纹 Thread	型号/Type	订货号 /Part Number
1个进线孔 1 side entry		
PG16	G10B-SGR-PG16	
M20	G10B-SGR-M20	
M25	G10B-SGR-M25	
2个进线孔 2 side entry		
PG16	G10B-SGR-2PG16	
M20	G10B-SGR-2M20	
M25	G10B-SGR-2M25	
高结构/High construction		
1个进线孔 1 side entry		
PG21	G10B-SGRH-PG21	
PG29	G10B-SGRH-PG29	
M32	G10B-SGRH-M32	
2个进线孔 2 side entry		
PG21	G10B-SGRH-2PG21	
PG29	G10B-SGRH-2PG29	
M32	G10B-SGRH-2M32	



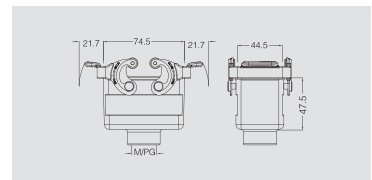
高结构/High construction



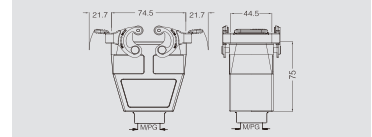
电缆对接下壳 Cable-to-cable hood



螺纹 Thread	型号/Type	订货号 /Part Number
PG16	G10B-TBF-PG16	
M20	G10B-TBF-M20	
M25	G10B-TBF-M25	
高结构/High construction		
PG21	G10B-TBFH-PG21	
PG29	G10B-TBFH-PG29	
M25	G10B-TBFH-M25	
M32	G10B-TBFH-M32	



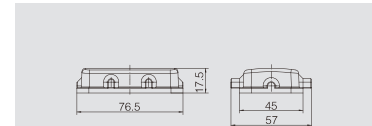
高结构/High construction



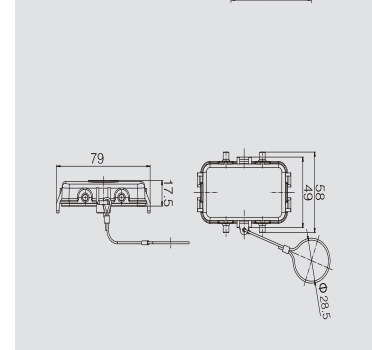
底座保护盖 Housing protection cover



螺纹 Thread	型号/Type	订货号 /Part Number
	G10B-KDB	



带金属保护盖 /With protection cover		
---	金属盖/用于上壳 For hoods	
	G10B-KDB-LA-1	
金属盖/用于下壳 For housings		
	G10B-KDB-LA-2	



G10B带双扣外壳 / G10B with 2 lever on the hoods/housings



底部外壳安装开孔尺寸/Housing mounting dimensions PAGE/390

表面粉末镀层, RAL 7037 / Powder-coated, RAL 7037

防护等级 Degree of protection : IP65

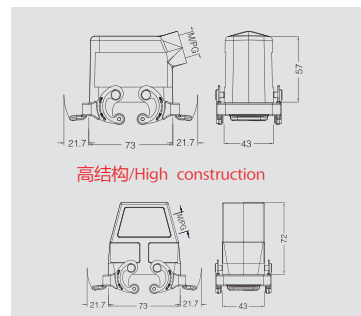
上壳 / Hoods

侧出带双扣上壳

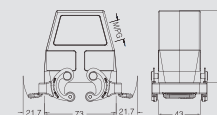
Side entry housing with two levers



螺纹 Thread	型号/Type	订货号 /Part Number
PG16	G10B-TSB-PG16	
M20	G10B-TSB-M20	
M25	G10B-TSB-M25	
高结构/High construction		
PG21	G10B-TSBH-PG21	
PG29	G10B-TSBH-PG29	
M25	G10B-TSBH-M25	
M32	G10B-TSBH-M32	



高结构/High construction

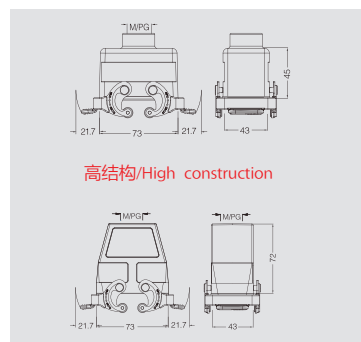


高结构/High construction

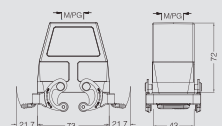
顶出带双扣上壳 Top entry housing with two levers



螺纹 Thread	型号/Type	订货号 /Part Number
PG16	G10B-TGB-PG16	
M20	G10B-TGB-M20	
M25	G10B-TGB-M25	
高结构/High construction		
PG21	G10B-TGBH-PG21	
PG29	G10B-TGBH-PG29	
M25	G10B-TGBH-M25	
M32	G10B-TGBH-M32	



高结构/High construction



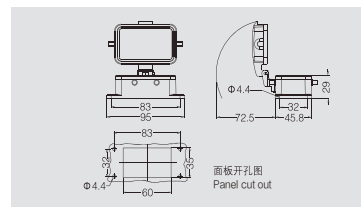
高结构/High construction

下壳底座 / Housings

带盖开孔底座 Bulkhead mounting



螺纹 Thread	型号/Type	订货号 /Part Number
	G10B-AG-BO	
带保护盖/with protection cover		
	G10B-AD-BO	

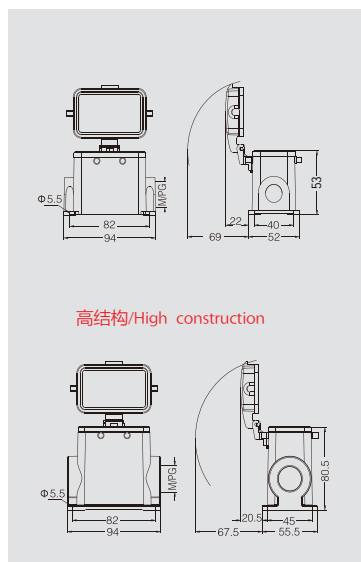
面板开孔图
Panel cut out

下壳底座 / Housings

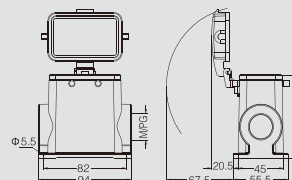
带盖表面安装底座 Surface mounting



螺纹 Thread	型号/Type	订货号 /Part Number
带保护盖/with protection cover		
1个进线孔 1 side entry		
PG16	G10B-SDR-BO-PG16	
M20	G10B-SDR-BO-M20	
M25	G10B-SDR-BO-M25	
2个进线孔 2 side entry		
PG16	G10B-SDR-BO-2PG16	
M20	G10B-SDR-BO-2M20	
M25	G10B-SDR-BO-2M25	
高结构/High construction		
1个进线孔 1 side entry		
PG21	G10B-SDRH-BO-PG21	
PG29	G10B-SDRH-BO-PG29	
M32	G10B-SDRH-BO-M32	
2个进线孔 2 side entry		
PG21	G10B-SDRH-BO-2PG21	
PG29	G10B-SDRH-BO-2PG29	
M32	G10B-SDRH-BO-2M32	



高结构/High construction



G10B带单扣外壳 / G10B with 1 lever on the hoods/housings



底部外壳安装开孔尺寸/Housing mounting dimensions PAGE/390

表面粉末镀层, RAL 7037 / Powder-coated, RAL 7037

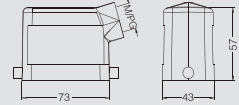
防护等级 Degree of protection : IP65

上壳 / Hoods

侧面进线 Side entry



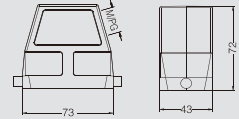
螺纹 Thread	型号/Type	订货号 /Part Number
PG16	G10B-TS-RO-PG16	
M20	G10B-TS-RO-M20	
M25	G10B-TS-RO-M25	



高结构/High construction



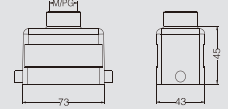
高结构/High construction		
PG21	G10B-TSH-RO-PG21	
PG29	G10B-TSH-RO-PG29	
M25	G10B-TSH-RO-M25	
M32	G10B-TSH-RO-M32	



顶部进线 Top entry



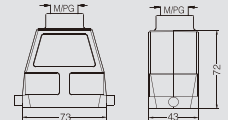
螺纹 Thread	型号/Type	订货号 /Part Number
PG16	G10B-TG-RO-PG16	
M20	G10B-TG-RO-M20	
M25	G10B-TG-RO-M25	



高结构/High construction



高结构/High construction		
PG21	G10B-TGH-RO-PG21	
PG29	G10B-TGH-RO-PG29	
M25	G10B-TGH-RO-M25	
M32	G10B-TGH-RO-M32	

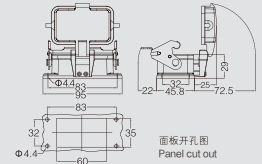


下壳底座 / Housings

外壳底座: 开孔安装 Bulkhead mounted



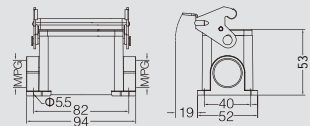
螺纹 Thread	型号/Type	订货号 /Part Number
	G10B-AG-LB	
	带保护盖/with protection cover	
	G10B-AD-LB	
	上壳保护盖/protection cover	
	G10B-KDT-LB	



外壳底座: 表面安装
Surface mounted: Side entry

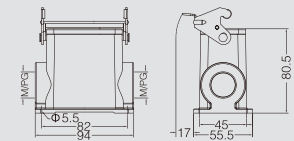


螺纹 Thread	型号/Type	订货号 /Part Number
1个进线孔1 side entry		
PG16	G10B-SGR-LB-PG16	
M20	G10B-SGR-LB-M20	
M25	G10B-SGR-LB-M25	
2个进线孔2 side entry		
PG16	G10B-SGR-LB-2PG16	
M20	G10B-SGR-LB-2M20	
M25	G10B-SGR-LB-2M25	
高结构 / High construction		



高结构 / High construction

1个进线孔1 side entry		
PG21	G10B-SGRH-LB-PG21	
PG29	G10B-SGRH-LB-PG29	
M32	G10B-SGRH-LB-M32	
2个进线孔2 side entry		
PG21	G10B-SGRH-LB-2PG21	
PG29	G10B-SGRH-LB-2PG29	
M32	G10B-SGRH-LB-2M32	



G10B带单扣外壳 / G10B with 1 lever on the hoods/housings



底部外壳安装开孔尺寸/Housing mounting dimensions PAGE/390

表面粉末镀层, RAL 7037 / Powder-coated, RAL 7037

防护等级 Degree of protection : IP65

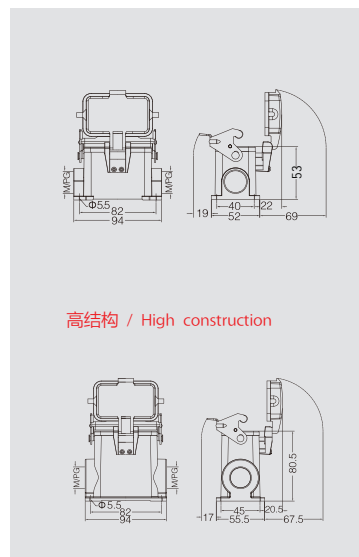
下壳底座 / Housings

带保护盖表面安装

Surface mounted with protection cover



螺纹 Thread	型号/Type	订货号 /Part Number
带保护盖 /with protection cover		
1个进线孔1 side entry		
PG16	G10B-SDR-LB-PG16	
M20	G10B-SDR-LB-M20	
M25	G10B-SDR-LB-M25	
2个进线孔2 side entry		
PG16	G10B-SDR-LB-2PG16	
M20	G10B-SDR-LB-2M20	
M25	G10B-SDR-LB-2M25	
高结构 / High construction 订货号 /Part Number		
1个进线孔1 side entry		
PG21	G10B-SDRH-LB-PG21	
PG29	G10B-SDRH-LB-PG29	
M32	G10B-SDRH-LB-M32	
2个进线孔2 side entry		
PG21	G10B-SDRH-LB-2PG21	
PG29	G10B-SDRH-LB-2PG29	
M32	G10B-SDRH-LB-2M32	

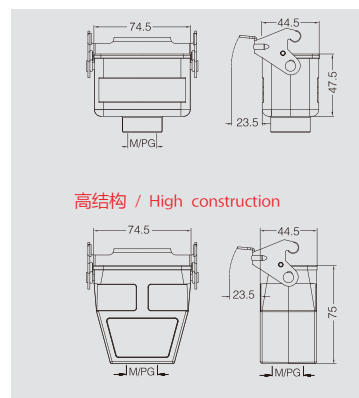


高结构 / High construction

电缆对接下壳 Cable-to-cable hood



螺纹 Thread	型号/Type	订货号 /Part Number
PG16	G10B-TBF-LB-PG16	
M20	G10B-TBF-LB-M20	
M25	G10B-TBF-LB-M25	
高结构 / High construction 订货号 /Part Number		
PG21	G10B-TBFH-LB-PG21	
PG29	G10B-TBFH-LB-PG29	
M25	G10B-TBFH-LB-M25	
M32	G10B-TBFH-LB-M32	



高结构 / High construction

G10B 耐腐蚀外壳 Metal Hoods & Housings For higher environmental requirements



底部外壳安装开孔尺寸/Housing mounting dimensions PAGE/390

表面粉末镀层, RAL 9005 / Powder-coated, RAL 9005

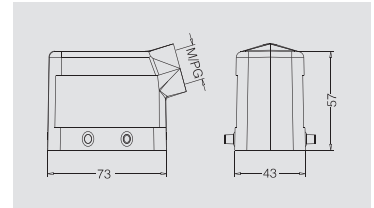
防护等级 Degree of protection : IP65

上壳 / Hoods

侧面进线 Side entry



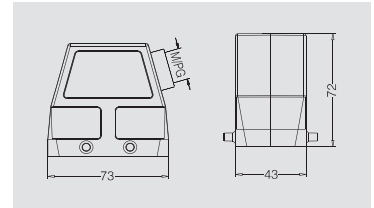
螺纹 Thread	型号/Type	订货号 /Part Number
M20	G10B-TS-M-M20	
PG16	G10B-TS-M-PG16	



侧出线高结构 side entry, high construction



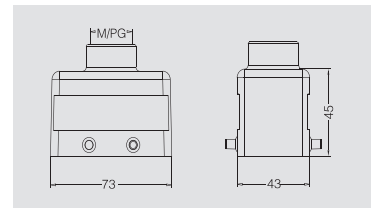
螺纹 Thread	型号/Type	订货号 /Part Number
M25	G10B-TSH-M-M25	



顶部进线 Top entry



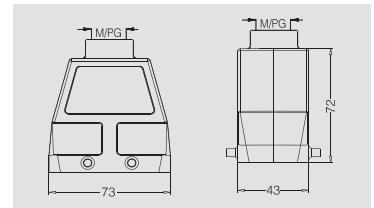
螺纹 Thread	型号/Type	订货号 /Part Number
M20	G10B-TG-M-M20	
PG16	G10B-TG-M-PG16	



顶出线高结构 top entry, high construction



螺纹 Thread	型号/Type	订货号 /Part Number
M32	G10B-TGH-M-M32	

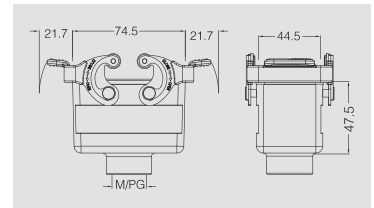


下壳底座 / Housings

电缆对接下壳 Cable-to-cable hood



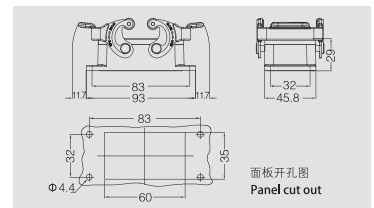
螺纹 Thread	型号/Type	订货号 /Part Number
PG16	G10B-TBF-M-PG16	



外壳底座: 开孔安装 Bulkhead mounted



螺纹 Thread	型号/Type	订货号 /Part Number
---	G10B-AG-M	



G10B 耐腐蚀外壳 Metal Hoods & Housings For higher environmental requirements



底部外壳安装开孔尺寸/Housing mounting dimensions PAGE/390

表面粉末镀层, RAL 9005 / Powder-coated, RAL 9005

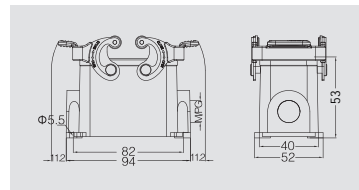
防护等级 Degree of protection : IP65

下壳底座 / Housings

外壳底座: 表面安装 Surface mounted: Side entry



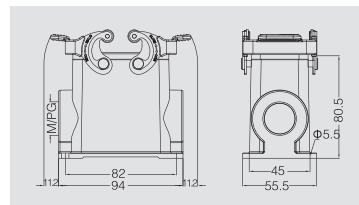
螺纹 Thread	型号/Type	订货号 /Part Number
PG16	G10B-SGR-M-PG16	
M20	G10B-SGR-M-M20	



外壳底座: 表面安装
Surface mounted: Side entry



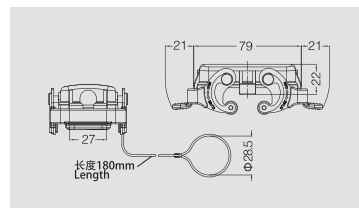
螺纹 Thread	型号/Type	订货号 /Part Number
M32	G10B-SGRH-M-M32	



上壳保护盖 Protection covers for hoods



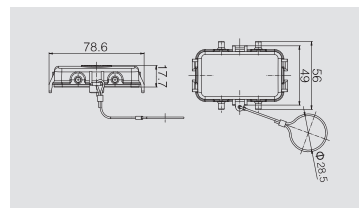
螺纹 Thread	型号/Type	订货号 /Part Number
	金属盖/用于上壳 For hoods	
	G10B-KDT-LA-M-1	
	金属盖/用于下壳 For housings	
	G10B-KDT-LA-M-2	



底座保护盖 Housing protection cover



螺纹 Thread	型号/Type	订货号 /Part Number
---	金属盖/用于上壳 For hoods	
	G10B-KDB-LA-M-1	
	金属盖/用于下壳 For housings	
	G10B-KDB-LA-M-2	

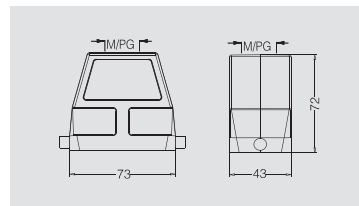


上壳 / Hoods 防护等级 Degree of protection : IP65 单扣

顶部进线 Top entry



螺纹 Thread	型号/Type	订货号 /Part Number
M32	G10B-TGH-RO-M-M32	

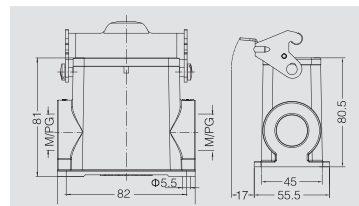


下壳底座 / Housings

外壳底座: 表面安装
Surface mounted: Side entry



螺纹 Thread	型号/Type	订货号 /Part Number
M25	G10B-SGRH-LB-M-M25	



GKM-6/6接插体, GKM-6/6 inserts



芯件适配用G24B外壳

Inserts suit for G24B hoods/housing **6/6+** 690V/400V 100/16A

6/6+

技术参数 / Technical Characteristics

规范/Specifications	DIN EN 60 664 DIN EN 61 984
-------------------	--------------------------------

插芯 / Inserts

接插件针数/Number of contacts	6/6+PE
依据 EN 61984的电气数据 Electrical Data Acc. To EN61984	
电力区 Power Area	
-额定电流/-Rated Current	100A
-额定电压/-Rated Voltage	690V
-额定脉冲电压/-Rated Impulse Voltage	8kV
-污染程度/-Pollution Degree	3
信号区 Signal Area	
-额定电流/-Rated Current	16A
-额定电压/-Rated Voltage	400V
-额定脉冲电压/-Rated Impulse Voltage	6kV
-污染程度/-Pollution Degree	3
依据UL/CSA额定电压/Rated Voltage Acc.to UI CSA	600V/600V
绝缘电阻/Insulation resistance	$\geq 10^{10} \Omega$
材料/Material	聚碳酸酯 Polycarbonate
工作温度范围/Temperature range	-40°C...+125°C
依据UL 94的阻燃等级/Flammability Acc. To UI94	V0
可拨插次数/Mechanical working life(mating cycles)	≥ 500

插针 / Contacts

材料/Material	铜合金/Copper Alloy	
表面处理/Surface	镀银/Hard silver-plated	
接触电阻/Contact resistance	$\leq 0.3m \Omega / 1m \Omega$	
接线形式/Terminal	轴向螺栓连接/AxialScrewTerminal	
导线规格/Wire gauge		
电力区 Power Area	-剥线长度	13 ⁺ 1mm
-mm ²		16-35mm ²
-AWG		5-2
信号区 Signal Area	-剥线长度	7.5mm
-mm ²		0.2-2.5mm ²
-AWG		24-14
拧紧力矩/-Tightening Torque		
电力区 Power Area		
-mm ²		16/25/35
-Nm		6/7/8
信号区 Signal Area		0.5-0.8N.m

轴向螺栓连接 Axial Screw Terminal



插芯 Inserts	型号/Type	订货号 /Part Number
公 Male	GKM-006/6-MA	
母 Female	GKM-006/6-FA	

附件 / Accessories

工具 Tools
内六角扳手 Hexagonal driver



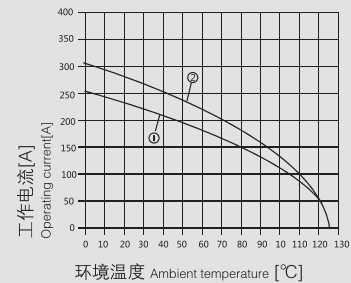
描述 Description	型号/Type	订货号/Part Number
用于轴向夹紧螺栓 带T型把手 For Axial Setscrew With Grip	GW-4x100	

电流负载能力 / Current Carrying Capacity

电流负载能力所受的限制主要来自包含接插针的接插体可承受的最大温度。

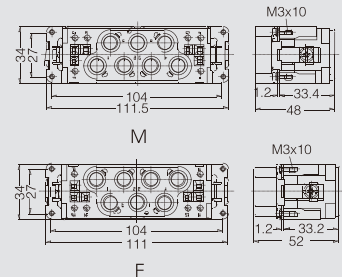
测试和控制过程依据 DIN EN 60512-5。

The current carrying is limited by maximum temperature of materials for Inserts and contacts including terminals. Measuring and testing techniques according to DIN EN 60512-5.

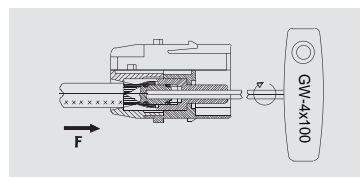
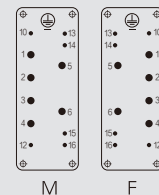


- ① 24B外壳带3个模块, 导线截面: 50mm²
- ② 24B外壳带3个模块, 导线截面: 70mm²

接插体之间的最大距离21mm
Distance for contact max.21mm



接插针排序
Contacts arrangement view from termination side



GKM-8/0接插体, GKM-8/0 inserts

芯件适配用G24B外壳

Inserts suit for G24B hoods/housing

8+

690V/400V 100/16A

8+

技术参数 / Technical Characteristics

规范/Specifications	DIN EN 60 664 DIN EN 61 984
插芯 / Inserts	
接插件针数/Number of contacts	8+PE
依据 EN 61984的电气数据 Electrical Data Acc. To EN61984	
电力区 Power Area	
-额定电流/-Rated Current	100A
-额定电压/-Rated Voltage	690V
-额定脉冲电压/-Rated Impulse Voltage	8kV
-污染程度/-Pollution Degree	3
信号区 Signal Area	
-额定电流/-Rated Current	
-额定电压/-Rated Voltage	
-额定脉冲电压/-Rated Impulse Voltage	
-污染程度/-Pollution Degree	
依据UL/CSA额定电压/Rated Voltage Acc.to UI CSA	600V
绝缘电阻/Insulation resistance	$\geq 10^{10} \Omega$
材料/Material	聚碳酸酯 Polycarbonate
工作温度范围/Temperature range	-40°C...+125°C
依据UL 94的阻燃等级/Flammability Acc. To UI94	V0
可拨插次数/Mechanical working life(mating cycles)	≥ 500
插针 / Contacts	
材料/Material	铜合金/Copper Alloy
表面处理/Surface	镀银/Hard silver-plated
接触电阻/Contact resistance	$\leq 0.5m \Omega$
接线形式/Terminal	轴向螺栓连接/AxialScrewTerminal
导线规格/Wire gauge	
电力区 Power Area	-剥线长度
-mm ²	13 ⁺¹ mm
-AWG	10-25mm ²
信号区 Signal Area	-剥线长度
-mm ²	7-3
-AWG	7.5mm
拧紧力矩/-Tightening Torque	
电力区 Power Area	
-mm ²	10/16/25
-Nm	6/6/7
信号区 Signal Area	

轴向螺栓连接 Axial Screw Terminal



插芯 Inserts	型号/Type	订货号 /Part Number
公 Male	GKM-008/0-MA	
母 Female	GKM-008/0-FA	

附件 / Accessories

工具 Tools
内六角扳手 Hexagonal driver



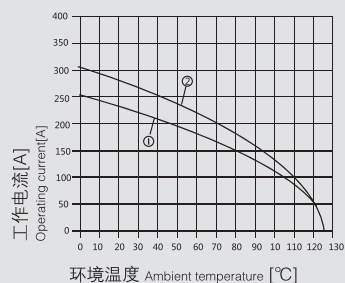
描述 Description	型号/Type	订货号/Part Number
用于轴向夹紧螺栓 带T型把手 For Axial Setscrew With Grip	GW-4x100	

电流负载能力 / Current Carrying Capacity

电流负载能力所受的限制主要来自包含插针的接插体可承受的最大温度。

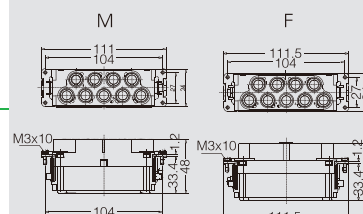
测试和控制过程依据 DIN EN 60512-5。

The current carrying is limited by maximum temperature of materials for Inserts and contacts including terminals. Measuring and testing techniques according to DIN EN 60512-5.

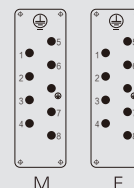


- ① 24B外壳带3个模块, 导线截面: 50mm²
② 24B外壳带3个模块, 导线截面: 70mm²
① 24 B hoods/housings with 3 modules, wire gauge:50mm²
② 24 B hoods/housings with 3 modules, wire gauge:70mm²

接插体之间的最大距离21mm
Distance for contact max.21mm



接插针排序
Contacts arrangement view from termination side



G24B 双扣外壳 /G24B with 2 lever on the hoods/housings



底部外壳安装开孔尺寸/Housing mounting dimensions PAGE/390

表面粉末镀层, RAL 7037 / Powder-coated, RAL 7037

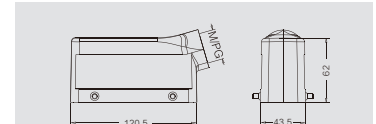
防护等级 Degree of protection : IP65

上壳 / Hoods

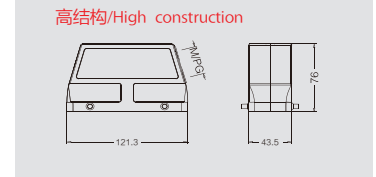
侧面进线 Side entry



螺纹 Thread	型号/Type	订货号 /Part Number
PG21	G24B-TS-PG21	
M25	G24B-TS-M25	
M32	G24B-TS-M32	



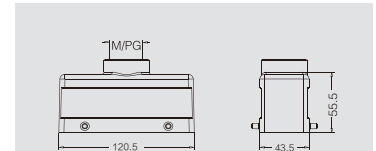
高结构/High construction		
PG21	G24B-TSH-PG21	
PG29	G24B-TSH-PG29	
M25	G24B-TSH-M25	
M32	G24B-TSH-M32	
M40	G24B-TSH-M40	



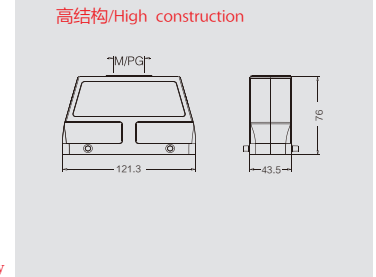
顶部进线 Top entry



螺纹 Thread	型号/Type	订货号 /Part Number
PG21	G24B-TG-PG21	
M25	G24B-TG-M25	
M32	G24B-TG-M32	



高结构/High construction		
PG21	G24B-TGH-PG21	
PG29	G24B-TGH-PG29	
M25	G24B-TGH-M25	
M32	G24B-TGH-M32	
M40	G24B-TGH-M40	
2个进线孔 2 side entry		
PG16	G24B-TGH-2PG16	
PG21	G24B-TGH-2PG21	
M25	G24B-TGH-2M25	

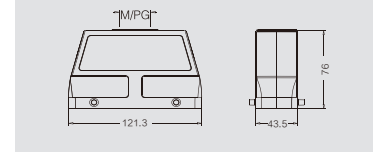


上壳侧出线/顶出线
Hoods, side & top entry, high construction



我可提供顶部、侧面同时出线的非标品
We can provide non-standard products with both top & side entry

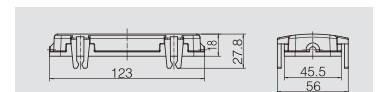
型号为:G24B-TSH/TGH-PG/M 如有需要请与我司联系



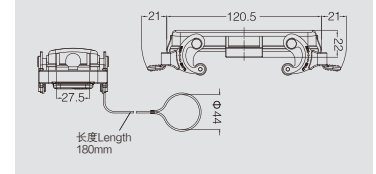
上壳保护盖 Protection covers for hoods



螺纹 Thread	型号/Type	订货号 /Part Number
	G24B-KDT	



带金属保护盖/With protection cover		
金属盖/用于上壳 For hoods		
	G24B-KDT-LA-1	
金属盖/用于下壳 For housings		
	G24B-KDT-LA-2	

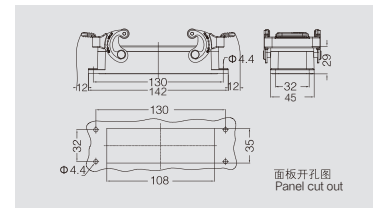


下壳底座 / Housings

外壳底座:开孔安装
Bulkhead mounted



螺纹 Thread	型号/Type	订货号 /Part Number
	G24B-AG	



G24B 双扣外壳 /G24B with 2 lever on the hoods/housings



底部外壳安装开孔尺寸/Housing mounting dimensions PAGE/390

表面粉末镀层, RAL 7037 / Powder-coated, RAL 7037

防护等级 Degree of protection : IP65

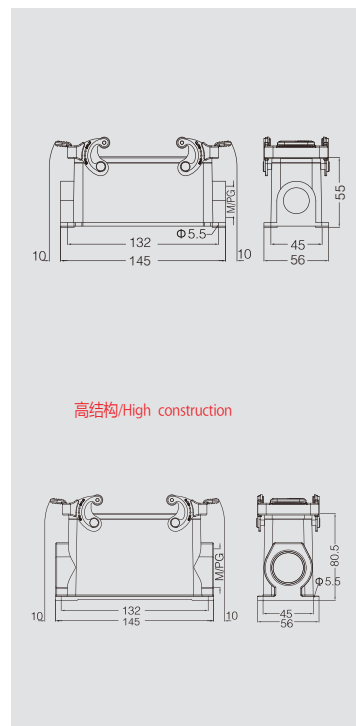
下壳底座 / Housings

外壳底座: 表面安装

Surface mounted: Side entry



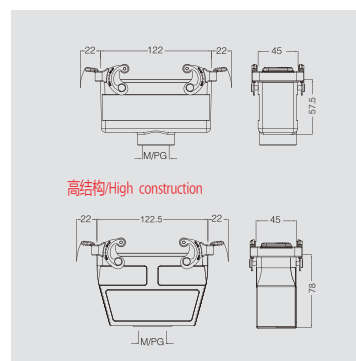
螺纹 Thread	型号/Type	订货号 /Part Number
1个进线孔 1 side entry		
PG21	G24B-SGR-PG21	
M25	G24B-SGR-M25	
2个进线孔 2 side entry		
PG21	G24B-SGR-2PG21	
M25	G24B-SGR-2M25	
高结构/High construction		
PG21	G24B-SGRH-PG21	
PG29	G24B-SGRH-PG29	
M32	G24B-SGRH-M32	
M40	G24B-SGRH-M40	
2个进线孔 2 side entry		
PG21	G24B-SGRH-2PG21	
PG29	G24B-SGRH-2PG29	
M32	G24B-SGRH-2M32	
M40	G24B-SGRH-2M40	



电缆对接下壳 Cable-to-cable hood



螺纹 Thread	型号/Type	订货号 /Part Number
PG21	G24B-TBF-PG21	
M25	G24B-TBF-M25	
M32	G24B-TBF-M32	
高结构/High construction		
PG21	G24B-TBFH-PG21	
PG29	G24B-TBFH-PG29	
M32	G24B-TBFH-M32	
M40	G24B-TBFH-M40	

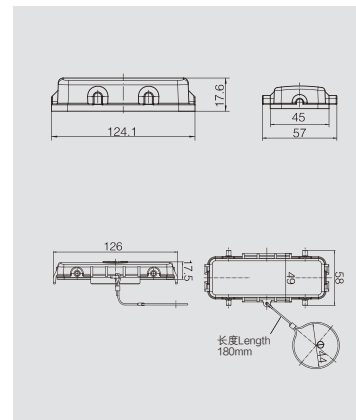


底座保护盖

Housing protection cover



螺纹 Thread	型号/Type	订货号 /Part Number
	G24B-KDB	
金属保护盖 /With protection cover		
	金属盖用于上壳 For hoods	
	G24B-KDB-LA-1	
金属盖用于下壳 For housings		
	G24B-KDB-LA-2	



G24B 双扣外壳 /G24B with 2 lever on the hoods/housings



底部外壳安装开孔尺寸/Housing mounting dimensions PAGE/390

表面粉末镀层, RAL 7037 / Powder-coated, RAL 7037

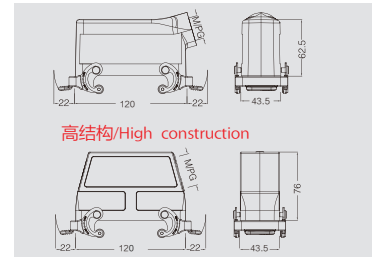
防护等级 Degree of protection : IP65

上壳 / Hoods

侧出带双扣下壳
Side entry housing with two levers



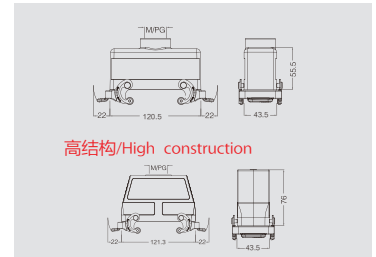
螺纹 Thread	型号/Type	订货号 /Part Number
PG21	G24B-TSB-PG21	
M25	G24B-TSB-M25	
M32	G24B-TSB-M32	
高结构/High construction		
PG21	G24B-TSBH-PG21	
PG29	G24B-TSBH-PG29	
M25	G24B-TSBH-M25	
M32	G24B-TSBH-M32	
M40	G24B-TSBH-M40	



顶出带双扣下壳
Top entry housing with two levers



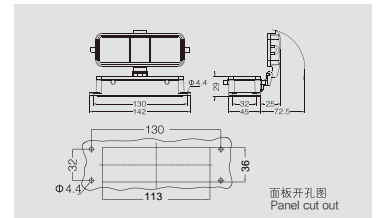
螺纹 Thread	型号/Type	订货号 /Part Number
PG21	G24B-TGB-PG21	
M25	G24B-TGB-M25	
M32	G24B-TGB-M32	
高结构/High construction		
PG21	G24B-TGBH-PG21	
PG29	G24B-TGBH-PG29	
M25	G24B-TGBH-M25	
M32	G24B-TGBH-M32	
M40	G24B-TGBH-M40	



双扣带盖开孔底座
Bulkhead mounting with hoods



螺纹 Thread	型号/Type	订货号 /Part Number
	G24B-AG-BO	
带保护盖/with protection cover		
	G24B-AD-BO	
带金属保护盖/with protection cover		
	G24B-AD-LA-BO	

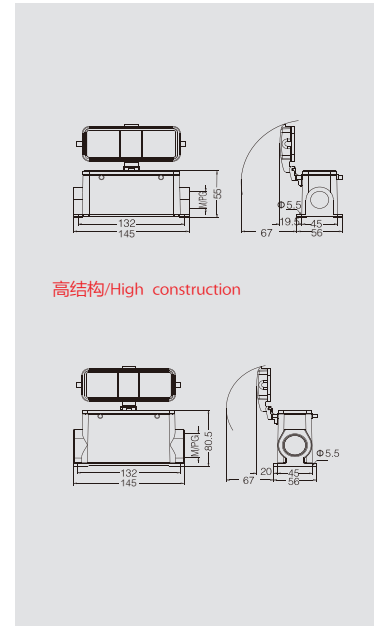


下壳底座 / Housings

双扣带盖表面安装底座
Surface mounting with hoods



螺纹 Thread	型号/Type	订货号 /Part Number
带保护盖/with protection cover		
1个进线孔 1 side entry		
PG21	G24B-SDR-BO-PG21	
M25	G24B-SDR-BO-M25	
2个进线孔 2 side entry		
PG21	G24B-SDR-BO-2PG21	
M25	G24B-SDR-BO-2M25	
高结构/High construction		
1个进线孔 1 side entry		
PG21	G24B-SDRH-BO-PG21	
PG29	G24B-SDRH-BO-PG29	
M32	G24B-SDRH-BO-M32	
M40	G24B-SDRH-BO-M40	
2个进线孔 2 side entry		
PG21	G24B-SDRH-BO-2PG21	
PG29	G24B-SDRH-BO-2PG29	
M32	G24B-SDRH-BO-2M32	
M40	G24B-SDRH-BO-2M40	



G24B单扣外壳 /G24B with 1 lever on the hoods/housings



底部外壳安装开孔尺寸/Housing mounting dimensions PAGE/390

表面粉末镀层, RAL 7037 / Powder-coated, RAL 7037

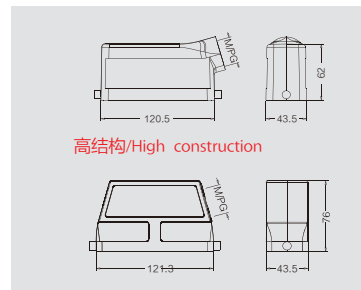
防护等级 Degree of protection : IP65

上壳 / Hoods

侧面进线 Side entry



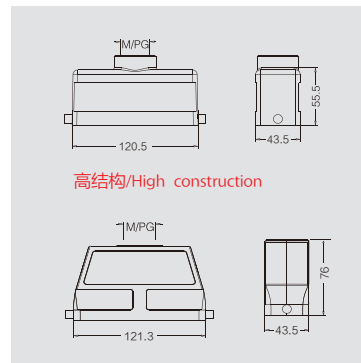
螺纹 Thread	型号/Type	订货号 /Part Number
PG21	G24B-TS-RO-PG21	
M25	G24B-TS-RO-M25	
M32	G24B-TS-RO-M32	
高结构/High construction		
PG21	G24B-TSH-RO-PG21	
PG29	G24B-TSH-RO-PG29	
M25	G24B-TSH-RO-M25	
M32	G24B-TSH-RO-M32	
M40	G24B-TSH-RO-M40	



顶部进线 Top entry



螺纹 Thread	型号/Type	订货号 /Part Number
PG21	G24B-TG-RO-PG21	
PG29	G24B-TG-RO-PG29	
M25	G24B-TG-RO-M25	
M32	G24B-TG-RO-M32	
高结构/High construction		
PG21	G24B-TGH-RO-PG21	
PG29	G24B-TGH-RO-PG29	
PG36	G24B-TGH-RO-PG36	
M25	G24B-TGH-RO-M25	
M32	G24B-TGH-RO-M32	
M40	G24B-TGH-RO-M40	

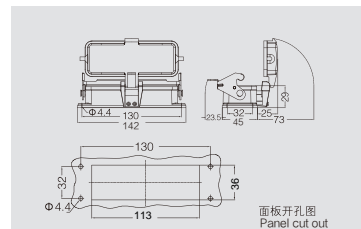


下壳底座 / Housings

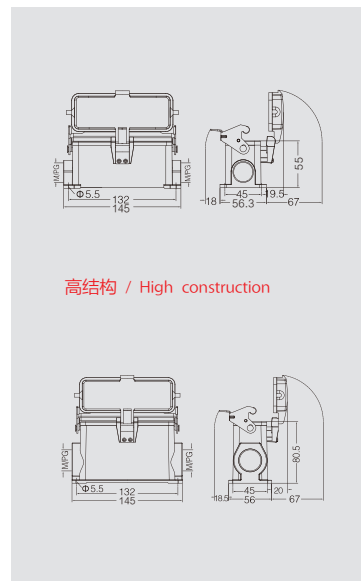
外壳底座: 开孔安装 Bulkhead mounted



螺纹 Thread	型号/Type	订货号 /Part Number
	G24B-AG-LB	
带保护盖/with protection cover		
	G24B-AD-LB	
上壳保护盖/protection cover		
	G24B-KDT-LB	

外壳底座: 表面安装
Surface mounted: Side entry

螺纹 Thread	型号/Type	订货号 /Part Number
1个进线孔1 side entry		
PG21	G24B-SGR-LB-PG21	
M25	G24B-SGR-LB-M25	
2个进线孔2 side entry		
2PG21	G24B-SGR-LB-2PG21	
2M25	G24B-SGR-LB-2M25	
高结构 / High construction		
1个进线孔1 side entry		
PG21	G24B-SGRH-LB-PG21	
PG29	G24B-SGRH-LB-PG29	
M32	G24B-SGRH-LB-M32	
M40	G24B-SGRH-LB-M40	
2个进线孔2 side entry		
PG21	G24B-SGRH-LB-2PG21	
PG29	G24B-SGRH-LB-2PG29	
M32	G24B-SGRH-LB-2M32	
M40	G24B-SGRH-LB-2M40	



G24B单扣外壳 /G24B with 1 lever on the hoods/housings



底部外壳安装开孔尺寸/Housing mounting dimensions PAGE/390

表面粉末镀层, RAL 7037 / Powder-coated, RAL 7037

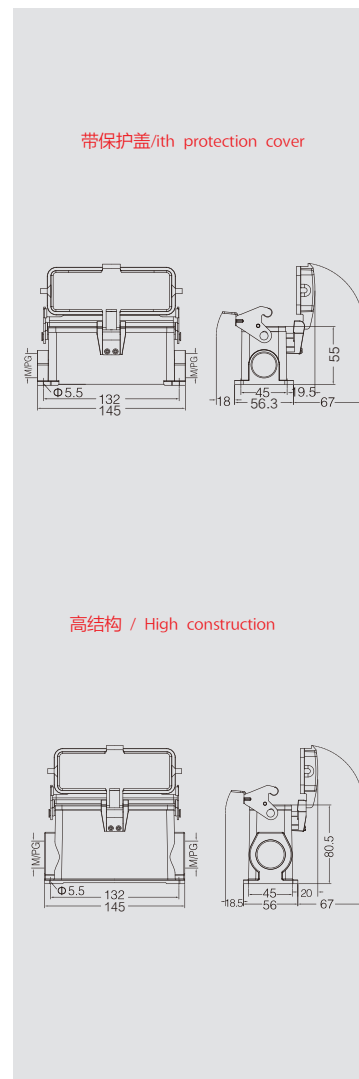
防护等级 Degree of protection : IP65

上壳 / Hoods

带盖表面安装底座 Surface mounting



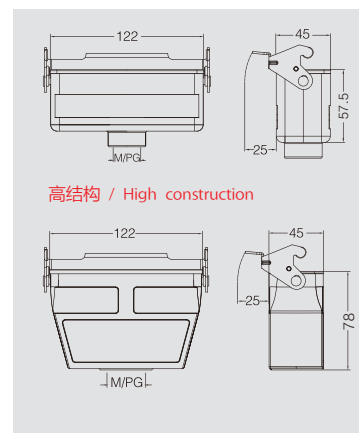
螺纹 Thread	型号/Type	订货号 /Part Number
带保护盖/With protection cover		
1个进线孔1 side entry		
PG21	G24B-SDR-LB-PG21	
M25	G24B-SDR-LB-M25	
2个进线孔2 side entry		
2PG21	G24B-SDR-LB-2PG21	
2M25	G24B-SDR-LB-2M25	
高结构 / High construction		
1个进线孔1 side entry		
PG21	G24B-SDRH-LB-PG21	
PG29	G24B-SDRH-LB-PG29	
M32	G24B-SDRH-LB-M32	
2个进线孔2 side entry		
PG21	G24B-SDRH-LB-2PG21	
PG29	G24B-SDRH-LB-2PG29	
M32	G24B-SDRH-LB-2M32	
带金属保护盖/With metal protective cover		
1个进线孔1 side entry		
PG21	G24B-SDR-LB-LA-PG21	
M25	G24B-SDR-LB-LA-M25	
2个进线孔2 side entry		
2PG21	G24B-SDR-LB-LA-2PG21	
2M25	G24B-SDR-LB-LA-2M25	
高结构 / High construction		
1个进线孔1 side entry		
PG21	G24B-SDRH-LB-LA-PG21	
PG29	G24B-SDRH-LB-LA-PG29	
M32	G24B-SDRH-LB-LA-M32	
2个进线孔2 side entry		
PG21	G24B-SDRH-LB-LA-2PG21	
PG29	G24B-SDRH-LB-LA-2PG29	
M32	G24B-SDRH-LB-LA-2M32	



电缆对接下壳 Cable-to-cable hood



螺纹 Thread	型号/Type	订货号 /Part Number
PG21	G24B-TBF-LB-PG21	
PG29	G24B-TBF-LB-PG29	
M25	G24B-TBF-LB-M25	
M32	G24B-TBF-LB-M32	
高结构 / High construction		
PG21	G24B-TBFH-LB-PG21	
PG29	G24B-TBFH-LB-PG29	
M32	G24B-TBFH-LB-M32	
M40	G24B-TBFH-LB-M40	



G24B 耐腐蚀外壳 Metal Hoods & Housings For higher environmental requirements



底部外壳安装开孔尺寸/Housing mounting dimensions PAGE/390

表面粉末镀层, RAL 9005 / Powder-coated, RAL 9005

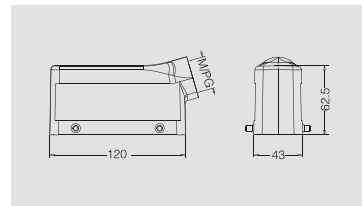
防护等级 Degree of protection : IP65

上壳 / Hoods

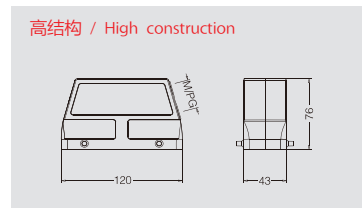
侧出线 side entry



螺纹 Thread	型号/Type	订货号 /Part Number
PG21	G24B-TS-M-PG21	
M25	G24B-TS-M-M25	

侧出线高结构
side entry, high construction

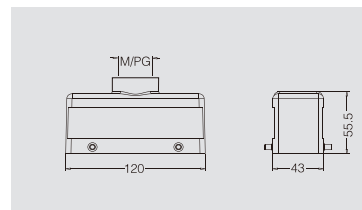
螺纹 Thread	型号/Type	订货号 /Part Number
高结构 / High construction		
PG29	G24B-TSH-M-PG29	
M32	G24B-TSH-M-M32	
M40	G24B-TSH-M-M40	



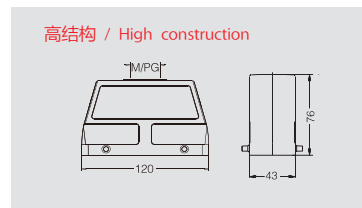
顶出线 top entry



螺纹 Thread	型号/Type	订货号 /Part Number
PG21	G24B-TG-M-PG21	
M25	G24B-TG-M-M25	

顶出线高结构
top entry, high construction

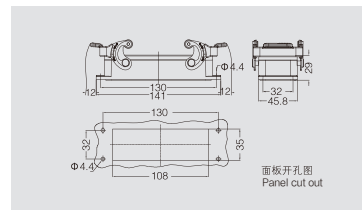
螺纹 Thread	型号/Type	订货号 /Part Number
高结构 / High construction		
PG29	G24B-TGH-M-PG29	
M32	G24B-TGH-M-M32	



下壳底座 / Housings

不封底下壳
Housings, bulkhead mounting

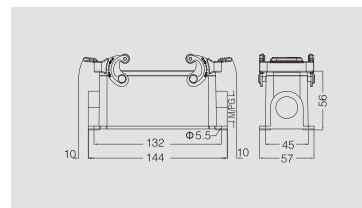
螺纹 Thread	型号/Type	订货号 /Part Number
---	G24B-AG-M	



封底下壳 Housings, surface mounting



螺纹 Thread	型号/Type	订货号 /Part Number
PG21	G24B-SGR-M-PG21	
M25	G24B-SGR-M-M25	



G24B耐腐蚀外壳 Metal Hoods & Housings For higher environmental requirements



底部外壳安装开孔尺寸/Housing mounting dimensions PAGE/390

表面粉末镀层, RAL 9005 / Powder-coated, RAL 9005

防护等级 Degree of protection : IP65

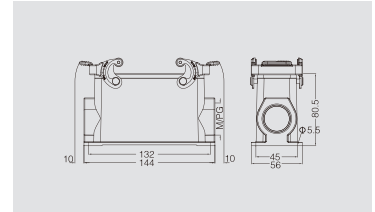
下壳底座 / Housings

封底下壳高结构

Housings, surface mounting, high construction



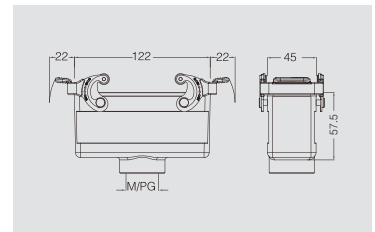
螺纹 Thread	型号/Type	订货号 /Part Number
2PG29	G24B-SGRH-M-2PG29	
2M32	G24B-SGRH-M-2M32	
2M40	G24B-SGRH-M-2M40	



电缆对接下壳 Cable-to-cable hood



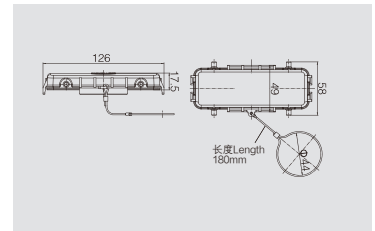
螺纹 Thread	型号/Type	订货号 /Part Number
PG21	G24B-TBF-M-PG21	



底座保护盖 Housing protection cover



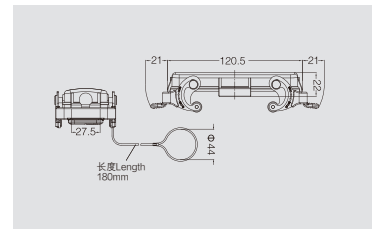
螺纹 Thread	型号/Type	订货号 /Part Number
	金属盖/用于上壳 For hoods	
	G24B-KDB-LA-M-1	
	金属盖/用于下壳 For housings	
	G24B-KDB-LA-M-2	



上壳保护盖 Protection covers for hoods



螺纹 Thread	型号/Type	订货号 /Part Number
	金属盖/用于上壳 For hoods	
	G24B-KDT-LA-M-1	
	金属盖/用于下壳 For housings	
	G24B-KDT-LA-M-2	



GKM-6/12接插体, GKM-6/6 inserts

芯件适用G16B外壳

Inserts suit for G16B hoods/housing **6/12+** 690V/400V 40/10A

6/12+

技术参数 / Technical Characteristics

规范/Specifications	DIN EN 60 664 DIN EN 61 984
插芯 / Inserts	
接插件针数/Number of contacts	6/12+PE
依据 EN 61984的电气数据 Electrical Data Acc. To EN61984	
电力区 Power Area	
-额定电流/-Rated Current	40A
-额定电压/-Rated Voltage	690V
-额定脉冲电压/-Rated Impulse Voltage	6kV
-污染程度/-Pollution Degree	3
信号区 Signal Area	
-额定电流/-Rated Current	10A
-额定电压/-Rated Voltage	230/400V
-额定脉冲电压/-Rated Impulse Voltage	4kV
-污染程度/-Pollution Degree	3
依据UL/CSA额定电压/Rated Voltage Acc.to UI CSA	600V/300V
绝缘电阻/Insulation resistance	$\geq 10^{10} \Omega$
材料/Material	聚碳酸酯 Polycarbonate
工作温度范围/Temperature range	-40°C...+125°C
依据UL 94的阻燃等级/Flammability Acc. To UI94	V0
可拨插次数/Mechanical working life(mating cycles)	≥ 500
插针 / Contacts	
材料/Material	铜合金/Copper Alloy
表面处理/Surface	镀银/Hard silver-plated
接触电阻/Contact resistance	$\leq 0.5m \Omega / \leq 3m \Omega$
接线形式/Terminal	轴向螺栓连接/AxialScrewTerminal
导线规格/Wire gauge	
电力区 Power Area	-剥线长度
-mm ²	5-8 ⁺¹ mm
-AWG	2.5-10mm ²
	14-8
信号区 Signal Area	-剥线长度
-mm ²	7.5mm
-AWG	0.2-2.5mm ²
	24-14
-拧紧力矩/-Tightening Torque	
电力区 Power Area	
-mm ²	2.5/4/6/10
-Nm	1.5/1.5/2/2
信号区 Signal Area	0.5-0.8Nm

轴向螺栓连接 Axial Screw Terminal



插芯 Inserts	型号/Type	订货号 /Part Number
公 Male	GKM-006.1/12-MA(2.5-8mm ²)	
公 Male	GKM-006.2/12-MA(6-10mm ²)	
母 Female	GKM-006.1/12-FA(2.5-8mm ²)	
母 Female	GKM-006.2/12-FA(6-10mm ²)	

附件 / Accessories

工具 Tools
内六角扳手 Hexagonal driver



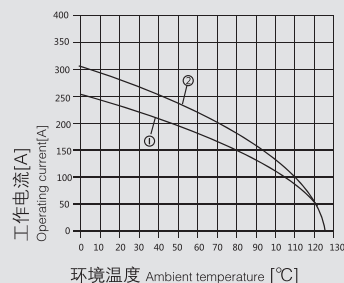
描述 Description	型号/Type	订货号/Part Number
用于轴向夹紧螺栓 带T型把手 For Axial Setscrew With Grip	GW-2x40	

电流负载能力 / Current Carrying Capacity

电流负载能力所受的限制主要来自包含接插针的接插体可承受的最大温度。

测试和控制过程依据 DIN EN 60512-5。

The current carrying is limited by maximum temperature of materials for Inserts and contacts including terminals. Measuring and testing techniques according to DIN EN 60512-5.



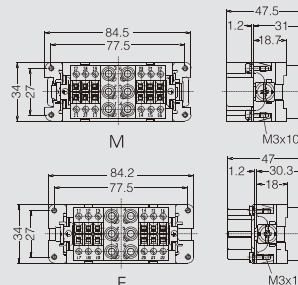
① 24B外壳带3个模块, 导线截面: 50mm²

② 24B外壳带3个模块, 导线截面: 70mm²

① 24 B hoods/housings with 3 modules, wire gauge:50mm²

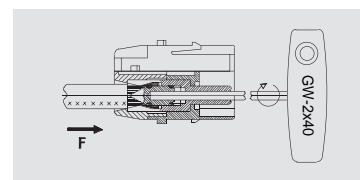
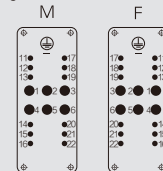
② 24 B hoods/housings with 3 modules, wire gauge:70mm²

接插体之间的最大距离21mm
Distance for contact max.21mm



接插针排序

Contacts arrangement view from termination side



G16B 双扣外壳 /G16B with 2 lever on the hoods/housings



底部外壳安装开孔尺寸/Housing mounting dimensions PAGE/390

表面粉末镀层, RAL 7037 / Powder-coated, RAL 7037

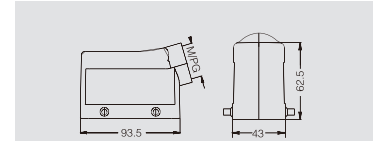
防护等级 Degree of protection : IP65

上壳 / Hoods

侧面进线 Side entry



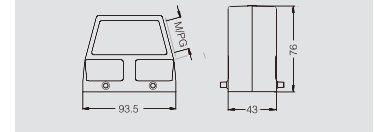
螺纹 Thread	型号/Type	订货号 /Part Number
PG21	G16B-TS-PG21	
M25	G16B-TS-M25	
M32	G16B-TS-M32	



高结构/High construction



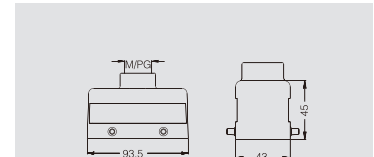
高结构/High construction		
PG21	G16B-TSH-PG21	
PG29	G16B-TSH-PG29	
M25	G16B-TSH-M25	
M32	G16B-TSH-M32	
M40	G16B-TSH-M40	



顶部进线 Top entry



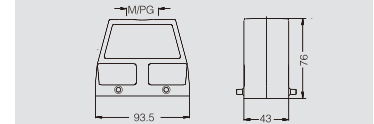
螺纹 Thread	型号/Type	订货号 /Part Number
PG21	G16B-TG-PG21	
M25	G16B-TG-M25	
M32	G16B-TG-M32	



高结构/High construction



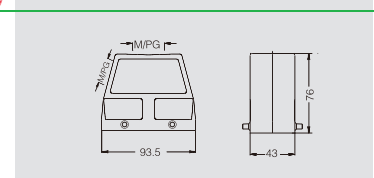
高结构/High construction		
PG21	G16B-TGH-PG21	
PG29	G16B-TGH-PG29	
M25	G16B-TGH-M25	
M32	G16B-TGH-M32	
M40	G16B-TGH-M40	



上壳侧出线/顶出线 Hoods,side&top entry,high construction



2个进线孔 2 side entry		
PG16	G16B-TGH-2PG16	
PG21	G16B-TGH-2PG21	
M25	G16B-TGH-2M25	



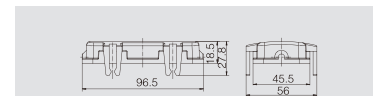
我司可提供顶部、侧面同时出线的非标品
We can provide non-standard products with both top&side entry

型号为:G16B-TSH/TGH-PG/M 如有需要请与我司联系

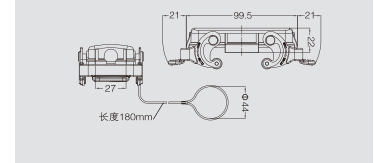
上壳保护盖 Protection covers for hoods



螺纹 Thread	型号/Type	订货号 /Part Number
	G16B-KDT	



	带金属保护盖/With protection cover	
	金属盖/用于上壳 For hoods	
	G16B-KD T-LA-1	
	金属盖/用于下壳 For housings	
	G16B-KD T-LA-2	

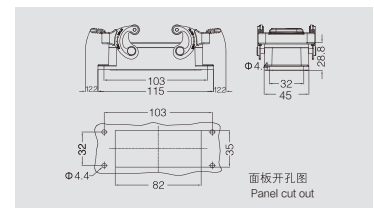


下壳底座 / Housings

外壳底座开孔安装 Bulkhead mounted



螺纹 Thread	型号/Type	订货号 /Part Number
	G16B-AG	



G16B 双扣外壳 /G16B with 2 lever on the hoods/housings



底部外壳安装开孔尺寸/Housing mounting dimensions PAGE/390

表面粉末镀层, RAL 7037 / Powder-coated, RAL 7037

防护等级 Degree of protection : IP65

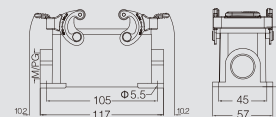
下壳底座 / Housings

外壳底座: 表面安装

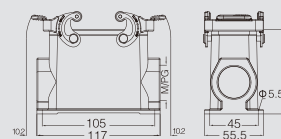
Surface mounted: Side entry



螺纹 Thread	型号/Type	订货号 /Part Number
1个进线孔 1 side entry		
PG21	G16B-SGR-PG21	
M25	G16B-SGR-M25	
2个进线孔 2 side entry		
PG21	G16B-SGR-2PG21	
M25	G16B-SGR-2M25	
高结构/High construction		
PG29	G16B-SGRH-PG29	
M32	G16B-SGRH-M32	
M40	G16B-SGRH-M40	
2个进线孔 2 side entry		
PG29	G16B-SGRH-2PG29	
M32	G16B-SGRH-2M32	
M40	G16B-SGRH-2M40	



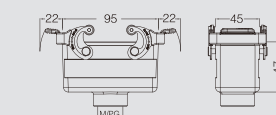
高结构/High construction



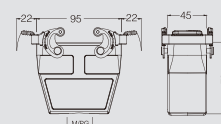
电缆对接下壳 Cable-to-cable hood



螺纹 Thread	型号/Type	订货号 /Part Number
PG21	G16B-TBF-PG21	
M25	G16B-TBF-M25	
M32	G16B-TBF-M32	
高结构/High construction		
PG21	G16B-TBFH-PG21	
PG29	G16B-TBFH-PG29	
M25	G16B-TBFH-M25	
M32	G16B-TBFH-M32	



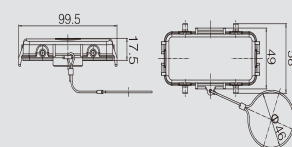
高结构/High construction



底座保护盖 Housing protection cover



螺纹 Thread	型号/Type	订货号 /Part Number
	G16B-KDB	
金属保护盖 /With protection cover		
---	金属盖用于上壳 For hoods	
	G16B-KDB-LA-1	
金属盖用于下壳 For housings		
	G16B-KDB-LA-2	



G16B 双扣外壳 /G16B with 2 lever on the hoods/housings



底部外壳安装开孔尺寸/Housing mounting dimensions PAGE/390

表面粉末镀层, RAL 7037 / Powder-coated, RAL 7037

防护等级 Degree of protection : IP65

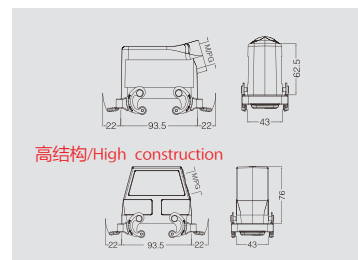
上壳 / Hoods

侧出带双扣下壳

Side entry housing with two levers



螺纹 Thread	型号/Type	订货号 /Part Number
PG21	G16B-TSB-PG21	
M25	G16B-TSB-M25	
M32	G16B-TSB-M32	
高结构/High construction		
PG21	G16B-TSBH-PG21	
PG29	G16B-TSBH-PG29	
M25	G16B-TSBH-M25	
M32	G16B-TSBH-M32	

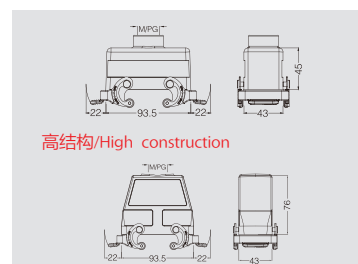


顶出带双扣下壳

Top entry housing with two levers



螺纹 Thread	型号/Type	订货号 /Part Number
PG21	G16B-TGB-PG21	
M25	G16B-TGB-M25	
M32	G16B-TGB-M32	
高结构/High construction		
PG21	G16B-TGBH-PG21	
PG29	G16B-TGBH-PG29	
M25	G16B-TGBH-M25	
M32	G16B-TGBH-M32	

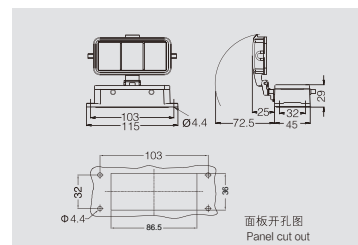


双扣带盖开孔底座

Bulkhead mounting with hoods



螺纹 Thread	型号/Type	订货号 /Part Number
	G16B-AG-BO	
带保护盖/with protection cover		
	G16B-AD-BO	
带金属保护盖/with protection cover		
	G16B-AD-AL-BO	



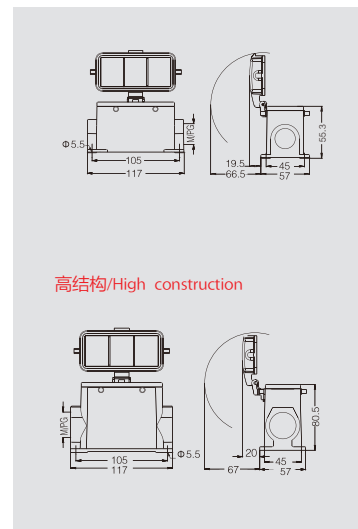
下壳底座 / Housings

双扣带盖表面安装底座

Surface mounting with hoods



螺纹 Thread	型号/Type	订货号 /Part Number
1个进线孔 1 side entry		
PG21	G16B-SDR-BO-PG21	
M25	G16B-SDR-BO-M25	
2个进线孔 2 side entry		
PG21	G16B-SDR-BO-2PG21	
M25	G16B-SDR-BO-2M25	
高结构/High construction		
1个进线孔 1 side entry		
PG21	G16B-SDRH-BO-PG21	
PG29	G16B-SDRH-BO-PG29	
M32	G16B-SDRH-BO-M32	
2个进线孔 2 side entry		
PG21	G16B-SDRH-BO-2PG21	
PG29	G16B-SDRH-BO-2PG29	
M32	G16B-SDRH-BO-2M32	



G16B单扣外壳 /G16B with 1 lever on the hoods/housings



底部外壳安装开孔尺寸/Housing mounting dimensions PAGE/390

表面粉末镀层, RAL 7037 / Powder-coated, RAL 7037

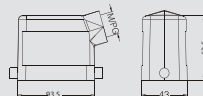
防护等级 Degree of protection : IP65

上壳 / Hoods

侧面进线 Side entry



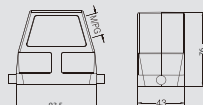
螺纹 Thread	型号/Type	订货号 /Part Number
PG21	G16B-TS-RO-PG21	
M25	G16B-TS-RO-M25	
M32	G16B-TS-RO-M32	



高结构/High construction



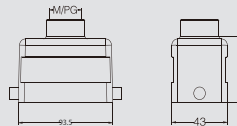
高结构/High construction		
PG21	G16B-TSH-RO-PG21	
PG29	G16B-TSH-RO-PG29	
M25	G16B-TSH-RO-M25	
M32	G16B-TSH-RO-M32	
M40	G16B-TSH-RO-M40	



顶部进线 Top entry



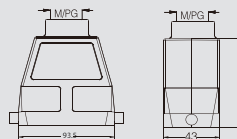
螺纹 Thread	型号/Type	订货号 /Part Number
PG21	G16B-TG-RO-PG21	
M25	G16B-TG-RO-M25	
M32	G16B-TG-RO-M32	



高结构/High construction



高结构/High construction		
PG21	G16B-TGH-RO-PG21	
PG29	G16B-TGH-RO-PG29	
M25	G16B-TGH-RO-M25	
M32	G16B-TGH-RO-M32	
M40	G16B-TGH-RO-M40	

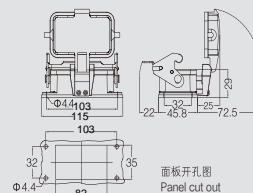


下壳底座 / Housings

外壳底座: 开孔安装 Bulkhead mounted



螺纹 Thread	型号/Type	订货号 /Part Number
	G16B-AG-LB	
	带保护盖/ith protection cover	
	G16B-AD-LB	
	上壳保护盖/protection cover	
	G16B-KDT-LB	



G16B单扣外壳 /G16B with 1 lever on the hoods/housings



底部外壳安装开孔尺寸/Housing mounting dimensions PAGE/390

表面粉末镀层, RAL 7037 / Powder-coated, RAL 7037

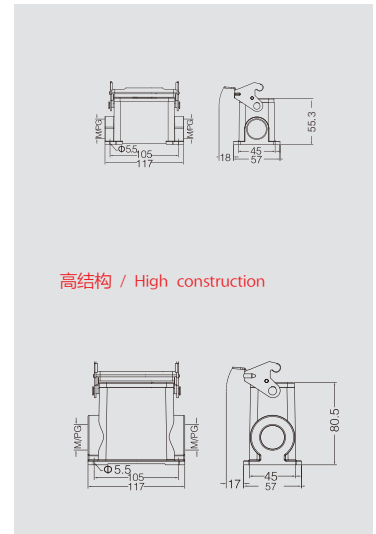
防护等级 Degree of protection : IP65

下壳底座 / Housings

外壳底座: 表面安装
Surface mounted: Side entry



螺纹 Thread	型号/Type	订货号 /Part Number
1个进线孔1 side entry		
PG21	G16B-SGR-LB-PG21	
M25	G16B-SGR-LB-M25	
2个进线孔2 side entry		
2PG21	G16B-SGR-LB-2PG21	
2M25	G16B-SGR-LB-2M25	
高结构 / High construction		
1个进线孔1 side entry		
PG21	G16B-SGRH-LB-PG21	
PG29	G16B-SGRH-LB-PG29	
M32	G16B-SGRH-LB-M32	
2个进线孔2 side entry		
PG21	G16B-SGRH-LB-2PG21	
PG29	G16B-SGRH-LB-2PG29	
M32	G16B-SGRH-LB-2M32	

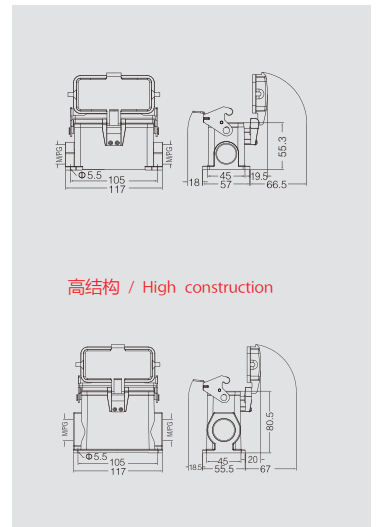


下壳底座 / Housings

带盖表面安装底座 Surface mounting



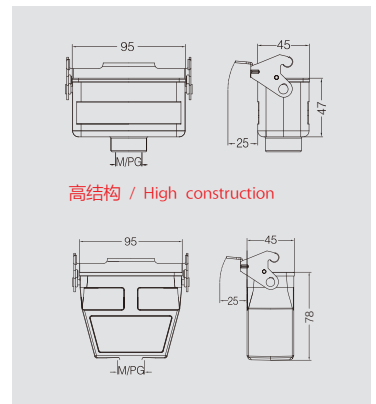
螺纹 Thread	型号/Type	订货号 /Part Number
1个进线孔1 side entry		
PG21	G16B-SDR-LB-PG21	
M25	G16B-SDR-LB-M25	
2个进线孔2 side entry		
2PG21	G16B-SDR-LB-2PG21	
2M25	G16B-SDR-LB-2M25	
高结构 / High construction		
1个进线孔1 side entry		
PG21	G16B-SDRH-LB-PG21	
PG29	G16B-SDRH-LB-PG29	
M32	G16B-SDRH-LB-M32	
2个进线孔2 side entry		
PG21	G16B-SDRH-LB-2PG21	
PG29	G16B-SDRH-LB-2PG29	
M32	G16B-SDRH-LB-2M32	



电缆对接下壳 Cable-to-cable hood



螺纹 Thread	型号/Type	订货号 /Part Number
PG21	G16B-TBF-LB-PG21	
M25	G16B-TBF-LB-M25	
M32	G16B-TBF-LB-M32	
高结构 / High construction		
PG21	G16B-TBFH-LB-PG21	
PG29	G16B-TBFH-LB-PG29	
M32	G16B-TBFH-LB-M32	
M40	G16B-TBFH-LB-M40	



G16B 耐腐蚀外壳 Metal Hoods & Housings For higher environmental requirements



底部外壳安装开孔尺寸/Housing mounting dimensions PAGE/390

表面粉末镀层, RAL 9005 / Powder-coated, RAL 9005

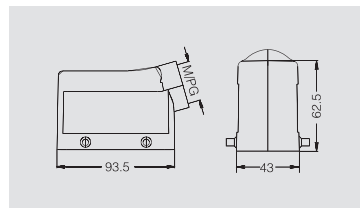
防护等级 Degree of protection : IP65

上壳 / Hoods

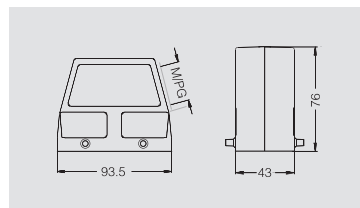
侧面进线 Side entry



螺纹 Thread	型号/Type	订货号 /Part Number
PG21	G16B-TS-M-PG21	
M25	G16B-TS-M-M25	

侧出线高结构
side entry, high construction

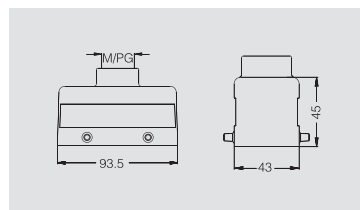
螺纹 Thread	型号/Type	订货号 /Part Number
PG29	G16B-TSH-M-PG29	
M32	G16B-TSH-M-M32	
M40	G16B-TSH-M-M40	



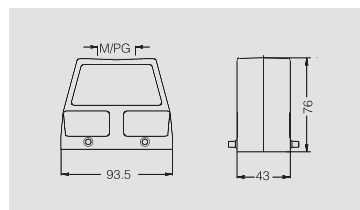
顶部进线 Top entry



螺纹 Thread	型号/Type	订货号 /Part Number
PG21	G16B-TG-M-PG21	
M25	G16B-TG-M-M25	

顶出线高结构
top entry, high construction

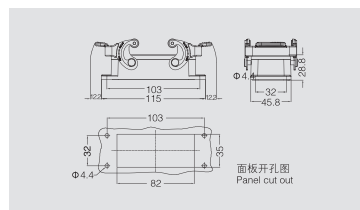
螺纹 Thread	型号/Type	订货号 /Part Number
PG29	G16B-TGH-M-PG29	
M32	G16B-TGH-M-M32	



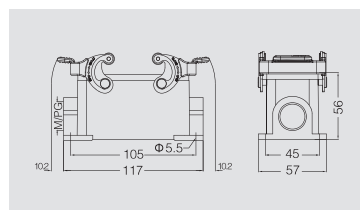
下壳底座 / Housings

外壳底座:开孔安装
Bulkhead mounted

螺纹 Thread	型号/Type	订货号 /Part Number
---	G16B-AG-M	

外壳底座: 表面安装
Surface mounted: Side entry

螺纹 Thread	型号/Type	订货号 /Part Number
PG21	G16B-SGR-M-PG21	
M25	G16B-SGR-M-M25	



G16B耐腐蚀外壳 Metal Hoods & Housings For higher environmental requirements



底部外壳安装开孔尺寸/Housing mounting dimensions PAGE/390

表面粉末镀层, RAL 9005 / Powder-coated, RAL 9005

防护等级 Degree of protection : IP65

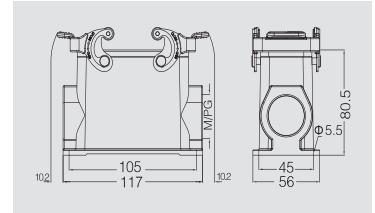
下壳底座 / Housings

封底下壳高结构

Housings, surface mounting, high construction



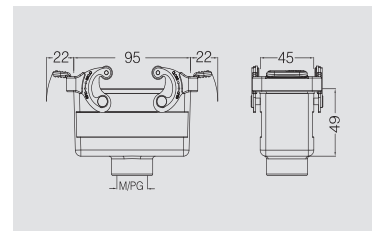
螺纹 Thread	型号/Type	订货号 /Part Number
2PG29	G16B-SGRH-M-2PG29	
2M32	G16B-SGRH-M-2M32	
2M40	G16B-SGRH-M-2M40	



电缆对接下壳 Cable-to-cable hood



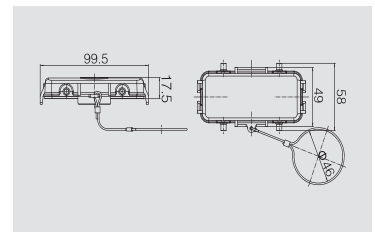
螺纹 Thread	型号/Type	订货号 /Part Number
PG21	G16B-TBF-M-PG21	



底座保护盖 Housing protection cover



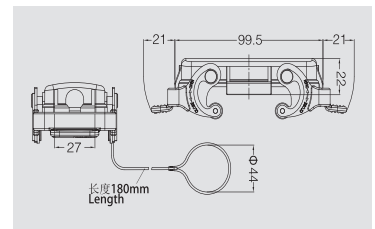
螺纹 Thread	型号/Type	订货号 /Part Number
	金属盖/用于上壳 For hoods	
	G16B-KDB-LA-M-1	
	金属盖/用于下壳 For housings	
	G16B-KDB-LA-M-2	



上壳保护盖 Protection covers for hoods



螺纹 Thread	型号/Type	订货号 /Part Number
	金属盖/用于上壳 For hoods	
	G16B-KDT-LA-M-1	
	金属盖/用于下壳 For housings	
	G16B-KDT-LA-M-2	



GK-008/24接插体 / GK-008/24 inserts

芯件适配用G10B外壳

Inserts suit for G10B hoods/housing **8/24+**  400V/160V 16/10A

8/24+ 

技术参数 / Technical Characteristics

规范/Specifications DIN EN 60 664
DIN EN 61 984

插芯 / Inserts

接插件针数/Number of contacts	8/24+PE
依据 EN 61984的电气数据 Electrical Data Acc. To EN61984	
电力区 Power Area	
-额定电流/-Rated Current	16A
-额定电压/-Rated Voltage	230/400V
-额定脉冲电压/-Rated Impulse Voltage	4kV
-污染程度/-Pollution Degree	3
信号区 Signal Area	
-额定电流/-Rated Current	10A
-额定电压/-Rated Voltage	160V
-额定脉冲电压/-Rated Impulse Voltage	2.5kV
-污染程度/-Pollution Degree	3
依据UL/CSA额定电压/Rated Voltage Acc.to UI CSA	600V/300V
绝缘电阻/Insulation resistance	$\geq 10^{10} \Omega$
材料/Material	聚碳酸酯 Polycarbonate
工作温度范围/Temperature range	-40℃...+125℃
依据UL 94的阻燃等级/Flammability Acc. To UI94	V0
可拔插次数/Mechanical working life(mating cycles)	≥ 500

插针 / Contacts

材料/Material	铜合金/Copper Alloy	
表面处理/Surface	镀银/Hard silver-plated	
接触电阻/Contact resistance	$\leq 1m\Omega / \leq 3m\Omega$	
接线形式/Terminal	冷压针压接/Crimp terminal	
导线规格/ Wire gauge		
电力区 Power Area	-剥线长度	7 ⁺ mm
-mm ²		0.5-4mm ²
-AWG		20-12
信号区 Signal Area	-剥线长度	7.5mm
-mm ²		0.5-2.5mm ²
-AWG		20-14

拧紧力矩/-Tightening Torque

电力区 Power Area

-mm²
-Nm

信号区 Signal Area

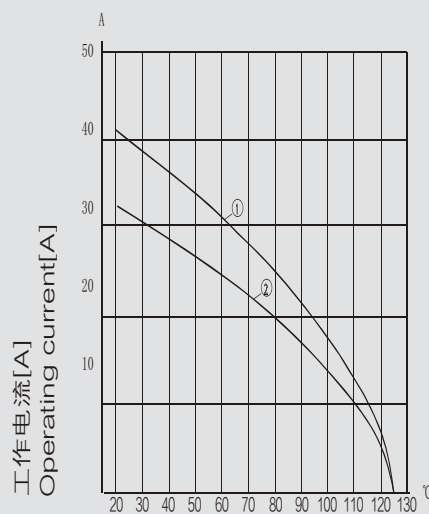
电流负载能力 / Current Carrying Capacity

电流负载能力所受的限制主要来自包含接插针的接插体可承受的最大温度。

测试和控制过程依据 DIN EN 60512-5。

The current carrying is limited by maximum temperature of materials for Inserts and contacts including terminals.

Measuring and testing techniques according to DIN EN 60512-5.



环境温度 Ambient temperature [°C]

①导线截面 wire gauge: 4.0mm²

②导线截面 wire gauge: 2.5mm²

GK-008/24接插体 / GK-008/24 inserts



芯件适配G10B外壳

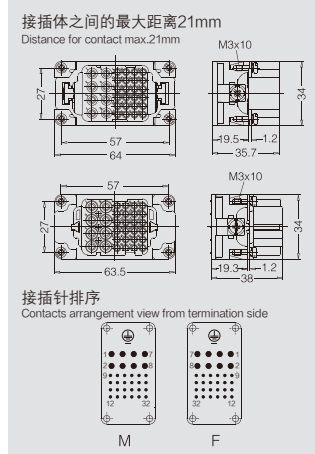
Inserts suit for G10B hoods/housing **8/24+** 400/160V max.16/10A

8/24+

冷压针压接/Crimp terminal



插芯/Inserts	型号/Type	订货号/Part Number
公 Male	GK-008/24-MC	
母 Female	GK-008/24-FC	



冷压接插针 Crimp contacts

16A 冷压针

技术参数/Technical data

材料: 铜

Material: copper

接触电阻/Contact resistance: $\leq 1m\Omega$

接线形式: 冷压工具压接

Terminal: crimp connection

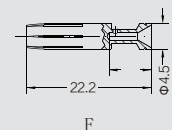
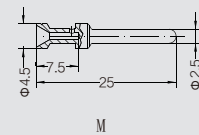
(镀银)冷压接插针/Crimp contacts.silver-platea

标识 Identification	线规 Wire gauge	剥线长度 Stripping length	公插针 Male	订货号 Part Number	母插针 Female	订货号 Part Number	内孔直径
no groove	0.5 mm ²	AWG 20	7.5m	CEM-0.5	CEF-0.5		1.15
1 groove	0.75 mm ²	AWG 18	7.5m	CEM-0.75	CEF-0.75		1.3
1 groove	1.0 mm ²	AWG 18	7.5m	CEM-1.0	CEF-1.0		1.45
2 groove	1.5 mm ²	AWG 16	7.5m	CEM-1.5	CEF-1.5		1.75
3 groove	2.5 mm ²	AWG 14	7.5m	CEM-2.5	CEF-2.5		2.25
wide groove	3.0 mm ²	AWG 12	7.5m	CEM-3.0	CEF-3.0		2.55
no groove	4.0 mm ²	AWG 12	7.5m	CEM-4.0	CEF-4.0		2.85



(镀金)冷压接插针/Crimp contacts.Gold-plated

标识 Identification	线规 Wire gauge	剥线长度 Stripping length	公插针 Male	订货号 Part Number	母插针 Female	订货号 Part Number	内孔直径
no groove	0.5 mm ²	AWG 20	7.5m	DEM-0.5	DEF-0.5		1.15
1 groove	0.75 mm ²	AWG 18	7.5m	DEM-0.75	DEF-0.75		1.3
1 groove	1.0 mm ²	AWG 18	7.5m	DEM-1.0	DEF-1.0		1.45
2 groove	1.5 mm ²	AWG 16	7.5m	DEM-1.5	DEF-1.5		1.75
3 groove	2.5 mm ²	AWG 14	7.5m	DEM-2.5	DEF-2.5		2.25
wide groove	3.0 mm ²	AWG 12	7.5m	DEM-3.0	DEF-3.0		2.55
no groove	4.0 mm ²	AWG 12	7.5m	DEM-4.0	DEF-4.0		2.85



冷压接插针 Crimp contacts

10A 冷压针

技术参数/Technical data

材料: 铜

Material: copper

接触电阻/Contact resistance: $\leq 3m\Omega$

接线形式: 冷压工具压接

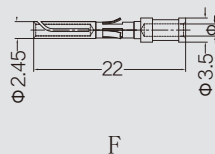
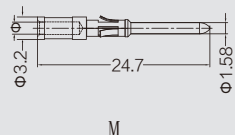
Terminal: crimp connection

(镀银)冷压接插针/Crimp contacts.silver-platea

标识 Identification	线规 Wire gauge	剥线长度 Stripping length	公插针 Male	订货号 Part Number	母插针 Female	订货号 Part Number	内孔直径
no groove	0.5 mm ²	AWG 20	8.0m	CDM-0.5	CDF-0.5		1.15
1 groove	0.75 mm ²	AWG 18	8.0m	CDM-0.75	CDF-0.75		1.3
1 groove	1.0 mm ²	AWG 18	8.0m	CDM-1.0	CDF-1.0		1.45
2 groove	1.5 mm ²	AWG 16	8.0m	CDM-1.5	CDF-1.5		1.75
3 groove	2.5 mm ²	AWG 14	8.0m	CDM-2.5	CDF-2.5		2.25

(镀金)冷压接插针/Crimp contacts.Gold-plated

标识 Identification	线规 Wire gauge	剥线长度 Stripping length	公插针 Male	订货号 Part Number	母插针 Female	订货号 Part Number	内孔直径
no groove	0.5 mm ²	AWG 20	8.0m	DDM-0.5	DDF-0.5		1.15
1 groove	0.75 mm ²	AWG 18	8.0m	DDM-0.75	DDF-0.75		1.3
1 groove	1.0 mm ²	AWG 18	8.0m	DDM-1.0	DDF-1.0		1.45
2 groove	1.5 mm ²	AWG 16	8.0m	DDM-1.5	DDF-1.5		1.75
3 groove	2.5 mm ²	AWG 14	8.0m	DDM-2.5	DDF-2.5		2.25



工具 Tools

冷压钳 Manual hydraulic clamp



压接线径 Wire gauge	型号/Type	订货号/Part Number
0.5-4mm ²	CRIMPBOX-0.5/4	

退针器 Removal tool



适用类型 For	型号/Type	订货号/Part Number
16A 冷压针 Crimp contacts	REMOV-GEE	
10A 冷压针 Crimp contacts	REMOV-GD	

G10B带双扣外壳 / G10B with 2 lever on the hoods/housings



底部外壳安装开孔尺寸/Housing mounting dimensions PAGE/390

表面粉末镀层, RAL 7037 / Powder-coated, RAL 7037

防护等级 Degree of protection : IP65

上壳 / Hoods

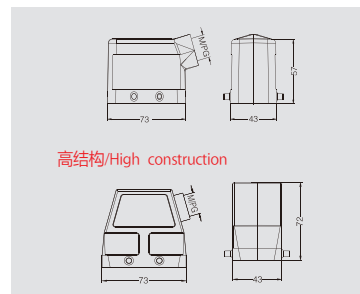
侧面进线 Side entry



螺纹 Thread	型号/Type	订货号 /Part Number
PG16	G10B-TS-PG16	
M20	G10B-TS-M20	
M25	G10B-TS-M25	



高结构/High construction		
PG21	G10B-TSH-PG21	
PG29	G10B-TSH-PG29	
M25	G10B-TSH-M25	
M32	G10B-TSH-M32	



高结构/High construction

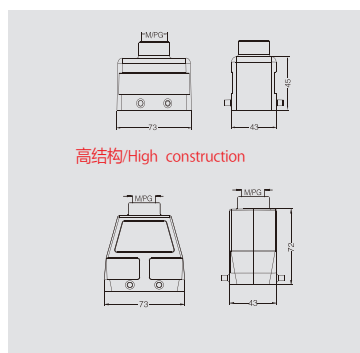
顶部进线 Top entry



螺纹 Thread	型号/Type	订货号 /Part Number
PG16	G10B-TG-PG16	
M20	G10B-TG-M20	
M25	G10B-TG-M25	



高结构/High construction		
PG21	G10B-TGH-PG21	
PG29	G10B-TGH-PG29	
M25	G10B-TG H-M25	
M32	G10B-TGH-M32	

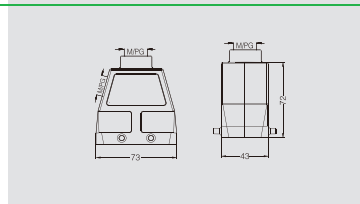


高结构/High construction

上壳侧出线/顶出线
Hoods,side&top entry,high construction

我司可提供顶部、侧面同时出线的非标品
We can provide non-standard products with both top&side entry

型号为:G10-TSH/TGH-PG/M 如有需要请与我司联系



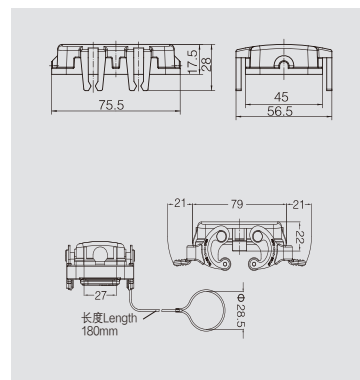
上壳保护盖 Protection covers for hoods



螺纹 Thread	型号/Type	订货号 /Part Number
	G10B-KDT	



带金属保护盖 /With protection cover		
金属盖/用于上壳 For hoods		
	G10B-KD T-LA-1	
金属盖/用于下壳 For housings		
	G10B-KD T-LA-2	

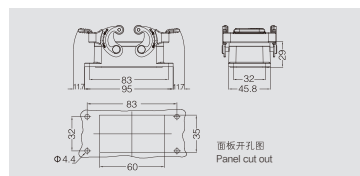


下壳底座 / Housings

外壳底座: 开孔安装 Bulkheadmounted



螺纹 Thread	型号/Type	订货号 /Part Number
	G10B-AG	



G10B带双扣外壳 / G10B with 2 lever on the hoods/housings



底部外壳安装开孔尺寸/Housing mounting dimensions PAGE/390

表面粉末镀层, RAL 7037 / Powder-coated, RAL 7037

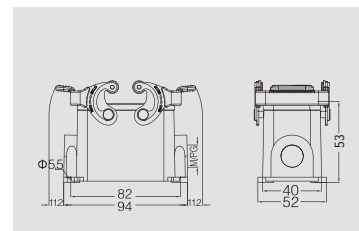
防护等级 Degree of protection : IP65

下壳底座 / Housings

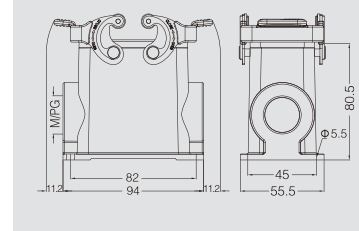
外壳底座: 表面安装
Surface mounted: Side entry



螺纹 Thread	型号/Type	订货号 /Part Number
1个进线孔 1 side entry		
PG16	G10B-SGR-PG16	
M20	G10B-SGR-M20	
M25	G10B-SGR-M25	
2个进线孔 2 side entry		
PG16	G10B-SGR-2PG16	
M20	G10B-SGR-2M20	
M25	G10B-SGR-2M25	
高结构/High construction		
1个进线孔 1 side entry		
PG21	G10B-SGRH-PG21	
PG29	G10B-SGRH-PG29	
M32	G10B-SGRH-M32	
2个进线孔 2 side entry		
PG21	G10B-SGRH-2PG21	
PG29	G10B-SGRH-2PG29	
M32	G10B-SGRH-2M32	



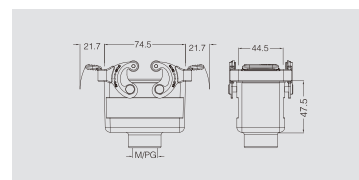
高结构/High construction



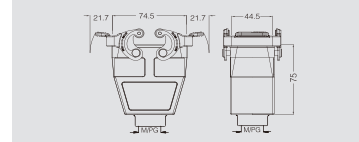
电缆对接下壳 Cable-to-cable hood



螺纹 Thread	型号/Type	订货号 /Part Number
PG16	G10B-TBF-PG16	
M20	G10B-TBF-M20	
M25	G10B-TBF-M25	
高结构/High construction		
PG21	G10B-TBFH-PG21	
PG29	G10B-TBFH-PG29	
M25	G10B-TBFH-M25	
M32	G10B-TBFH-M32	



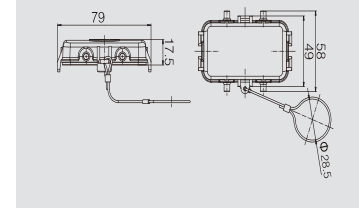
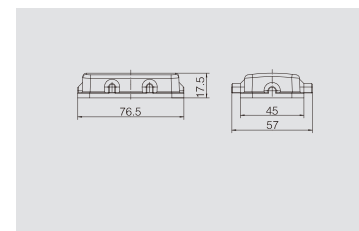
高结构/High construction



底座保护盖 Housing protection cover



螺纹 Thread	型号/Type	订货号 /Part Number
	G10B-KDB	
带金属保护盖 /With protection cover		
---	金属盖/用于上壳 For hoods	
	G10B-KDB-LA-1	
金属盖/用于下壳 For housings		
	G10B-KDB-LA-2	



G10B带双扣外壳 / G10B with 2 lever on the hoods/housings



底部外壳安装开孔尺寸/Housing mounting dimensions PAGE/390

表面粉末镀层, RAL 7037 / Powder-coated, RAL 7037

防护等级 Degree of protection : IP65

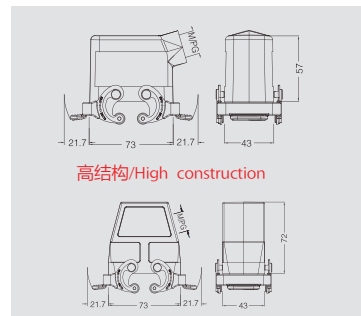
上壳 / Hoods

侧出带双扣上壳

Side entry housing with two levers



螺纹 Thread	型号/Type	订货号 /Part Number
PG16	G10B-TSB-PG16	
M20	G10B-TSB-M20	
M25	G10B-TSB-M25	
高结构/High construction		
PG21	G10B-TSBH-PG21	
PG29	G10B-TSBH-PG29	
M25	G10B-TSBH-M25	
M32	G10B-TSBH-M32	

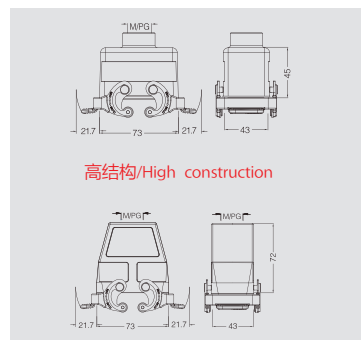


高结构/High construction

顶出带双扣上壳 Top entry housing with two levers



螺纹 Thread	型号/Type	订货号 /Part Number
PG16	G10B-TGB-PG16	
M20	G10B-TGB-M20	
M25	G10B-TGB-M25	
高结构/High construction		
PG21	G10B-TGBH-PG21	
PG29	G10B-TGBH-PG29	
M25	G10B-TGBH-M25	
M32	G10B-TGBH-M32	



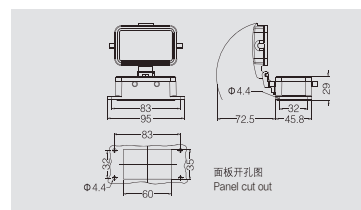
高结构/High construction

下壳底座 / Housings

带盖开孔底座 Bulkhead mounting



螺纹 Thread	型号/Type	订货号 /Part Number
	G10B-AG-BO	
带保护盖/with protection cover		
	G10B-AD-BO	

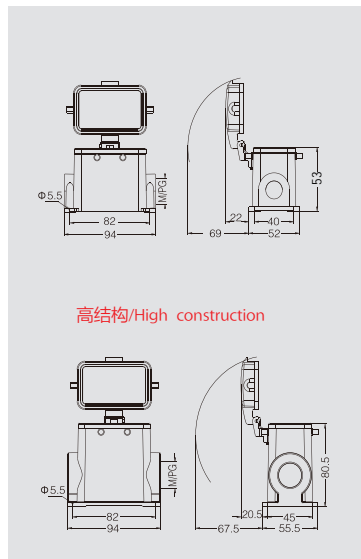
面板开孔图
Panel cut out

下壳底座 / Housings

带盖表面安装底座 Surface mounting



螺纹 Thread	型号/Type	订货号 /Part Number
带保护盖/with protection cover		
1个进线孔 1 side entry		
PG16	G10B-SDR-BO-PG16	
M20	G10B-SDR-BO-M20	
M25	G10B-SDR-BO-M25	
2个进线孔 2 side entry		
PG16	G10B-SDR-BO-2PG16	
M20	G10B-SDR-BO-2M20	
M25	G10B-SDR-BO-2M25	
高结构/High construction		
1个进线孔 1 side entry		
PG21	G10B-SDRH-BO-PG21	
PG29	G10B-SDRH-BO-PG29	
M32	G10B-SDRH-BO-M32	
2个进线孔 2 side entry		
PG21	G10B-SDRH-BO-2PG21	
PG29	G10B-SDRH-BO-2PG29	
M32	G10B-SDRH-BO-2M32	



高结构/High construction

G10B带单扣外壳 / G10B with 1 lever on the hoods/housings



底部外壳安装开孔尺寸/Housing mounting dimensions PAGE/390

表面粉末镀层, RAL 7037 / Powder-coated, RAL 7037

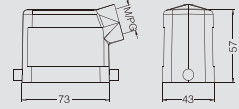
防护等级 Degree of protection : IP65

上壳 / Hoods

侧面进线 Side entry



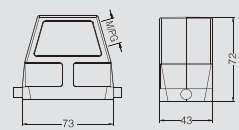
螺纹 Thread	型号/Type	订货号 /Part Number
PG16	G10B-TS-RO-PG16	
M20	G10B-TS-RO-M20	
M25	G10B-TS-RO-M25	



高结构/High construction



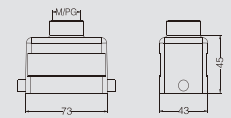
高结构/High construction		
PG21	G10B-TSH-RO-PG21	
PG29	G10B-TSH-RO-PG29	
M25	G10B-TSH-RO-M25	
M32	G10B-TSH-RO-M32	



顶部进线 Top entry



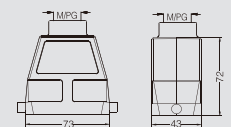
螺纹 Thread	型号/Type	订货号 /Part Number
PG16	G10B-TG-RO-PG16	
M20	G10B-TG-RO-M20	
M25	G10B-TG-RO-M25	



高结构/High construction



高结构/High construction		
PG21	G10B-TGH-RO-PG21	
PG29	G10B-TGH-RO-PG29	
M25	G10B-TGH-RO-M25	
M32	G10B-TGH-RO-M32	

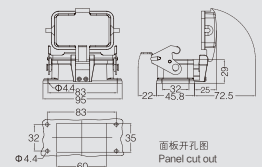


下壳底座 / Housings

外壳底座: 开孔安装 Bulkhead mounted



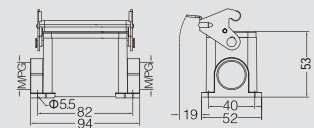
螺纹 Thread	型号/Type	订货号 /Part Number
	G10B-AG-LB	
	带保护盖/with protection cover	
	G10B-AD-LB	
	上壳保护盖/protection cover	
	G10B-KDT-LB	



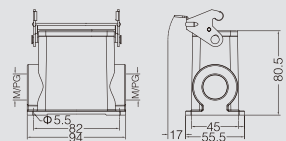
外壳底座: 表面安装
Surface mounted: Side entry



螺纹 Thread	型号/Type	订货号 /Part Number
1个进线孔1 side entry		
PG16	G10B-SGR-LB-PG16	
M20	G10B-SGR-LB-M20	
M25	G10B-SGR-LB-M25	
2个进线孔2 side entry		
PG16	G10B-SGR-LB-2PG16	
M20	G10B-SGR-LB-2M20	
M25	G10B-SGR-LB-2M25	
高结构 / High construction		
1个进线孔1 side entry		
PG21	G10B-SGRH-LB-PG21	
PG29	G10B-SGRH-LB-PG29	
M32	G10B-SGRH-LB-M32	
2个进线孔2 side entry		
PG21	G10B-SGRH-LB-2PG21	
PG29	G10B-SGRH-LB-2PG29	
M32	G10B-SGRH-LB-2M32	



高结构 / High construction



G10B带单扣外壳 / G10B with 1 lever on the hoods/housings



底部外壳安装开孔尺寸/Housing mounting dimensions PAGE/390

表面粉末镀层, RAL 7037 / Powder-coated, RAL 7037

防护等级 Degree of protection : IP65

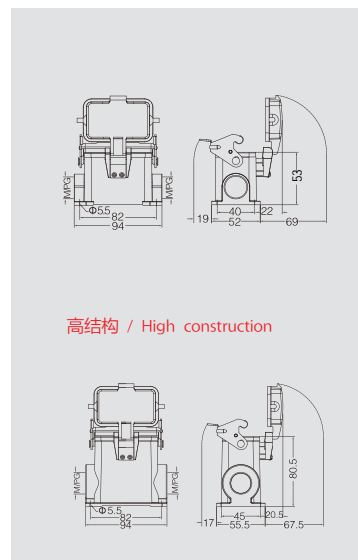
下壳底座 / Housings

带保护盖表面安装

Surface mounted with protection cover



螺纹 Thread	型号/Type	订货号 /Part Number
带保护盖/ith protection cover		
1个进线孔1 side entry		
PG16	G10B-SDR-LB-PG16	
M20	G10B-SDR-LB-M20	
M25	G10B-SDR-LB-M25	
2个进线孔2 side entry		
PG16	G10B-SDR-LB-2PG16	
M20	G10B-SDR-LB-2M20	
M25	G10B-SDR-LB-2M25	
高结构 / High construction		
1个进线孔1 side entry		
PG21	G10B-SDRH-LB-PG21	
PG29	G10B-SDRH-LB-PG29	
M32	G10B-SDRH-LB-M32	
2个进线孔2 side entry		
PG21	G10B-SDRH-LB-2PG21	
PG29	G10B-SDRH-LB-2PG29	
M32	G10B-SDRH-LB-2M32	

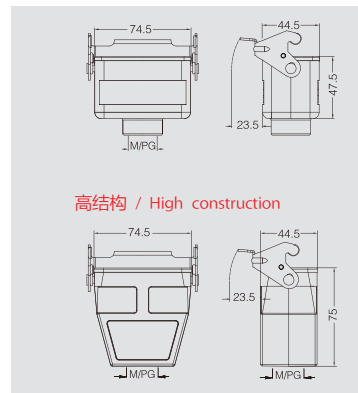


高结构 / High construction

电缆对接下壳 Cable-to-cable hood



螺纹 Thread	型号/Type	订货号 /Part Number
PG16	G10B-TBF-LB-PG16	
M20	G10B-TBF-LB-M20	
M25	G10B-TBF-LB-M25	
高结构 / High construction		
PG21	G10B-TBFH-LB-PG21	
PG29	G10B-TBFH-LB-PG29	
M25	G10B-TBFH-LB-M25	
M32	G10B-TBFH-LB-M32	



高结构 / High construction

G10B 耐腐蚀外壳 Metal Hoods & Housings For higher environmental requirements



底部外壳安装开孔尺寸/Housing mounting dimensions PAGE/390

表面粉末镀层, RAL 9005 / Powder-coated, RAL 9005

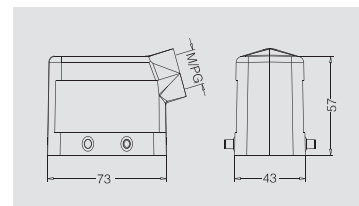
防护等级 Degree of protection : IP65

上壳 / Hoods

侧面进线 Side entry



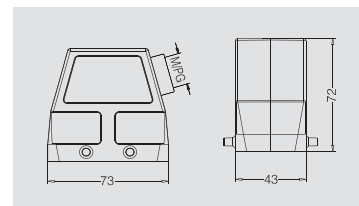
螺纹 Thread	型号/Type	订货号 /Part Number
M20	G10B-TS-M-M20	
PG16	G10B-TS-M-PG16	



侧出线高结构 side entry, high construction



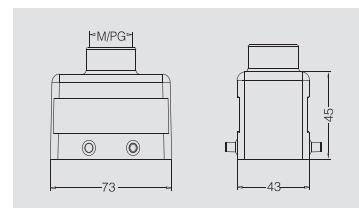
螺纹 Thread	型号/Type	订货号 /Part Number
M25	G10B-TSH-M-M25	



顶部进线 Top entry



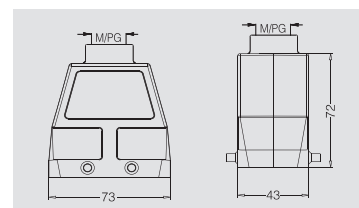
螺纹 Thread	型号/Type	订货号 /Part Number
M20	G10B-TG-M-M20	
PG16	G10B-TG-M-PG16	



顶出线高结构 top entry, high construction



螺纹 Thread	型号/Type	订货号 /Part Number
M32	G10B-TGH-M-M32	

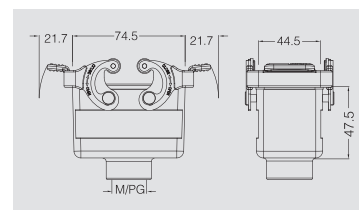


下壳底座 / Housings

电缆对接下壳 Cable-to-cable hood



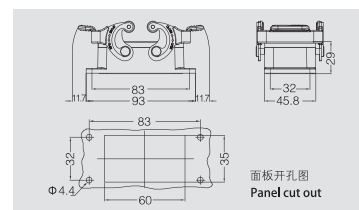
螺纹 Thread	型号/Type	订货号 /Part Number
PG16	G10B-TBF-M-PG16	



外壳底座: 开孔安装 Bulkhead mounted



螺纹 Thread	型号/Type	订货号 /Part Number
---	G10B-AG-M	



G10B 耐腐蚀外壳 Metal Hoods & Housings For higher environmental requirements



底部外壳安装开孔尺寸/Housing mounting dimensions PAGE/390

表面粉末镀层, RAL 9005 / Powder-coated, RAL 9005

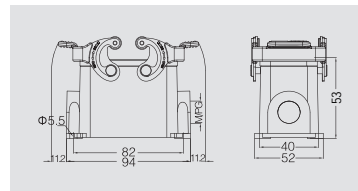
防护等级 Degree of protection : IP65

下壳底座 / Housings

外壳底座: 表面安装 Surface mounted: Side entry



螺纹 Thread	型号/Type	订货号 /Part Number
PG16	G10B-SGR-M-PG16	
M20	G10B-SGR-M-M20	

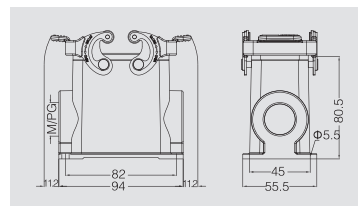


外壳底座: 表面安装

Surface mounted: Side entry



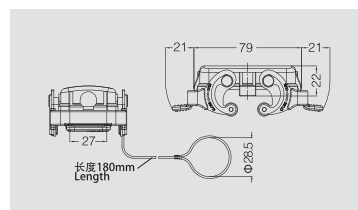
螺纹 Thread	型号/Type	订货号 /Part Number
M32	G10B-SGRH-M-M32	



上壳保护盖 Protection covers for hoods



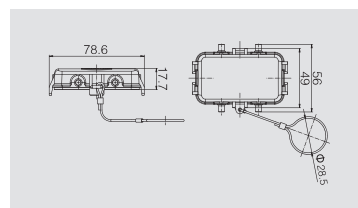
螺纹 Thread	型号/Type	订货号 /Part Number
	金属盖/用于上壳 For hoods	
	G10B-KDT-LA-M-1	
	金属盖/用于下壳 For housings	
	G10B-KDT-LA-M-2	



底座保护盖 Housing protection cover



螺纹 Thread	型号/Type	订货号 /Part Number
---	金属盖/用于上壳 For hoods	
	G10B-KDB-LA-M-1	
	金属盖/用于下壳 For housings	
	G10B-KDB-LA-M-2	



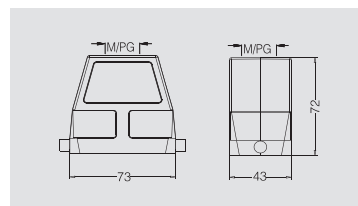
上壳 / Hoods

防护等级 Degree of protection : IP65 单扣

顶部进线 Top entry



螺纹 Thread	型号/Type	订货号 /Part Number
M32	G10B-TGH-RO-M-M32	



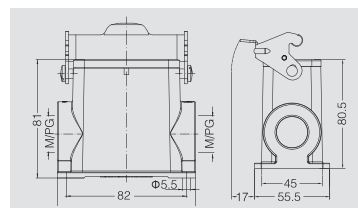
下壳底座 / Housings

外壳底座: 表面安装

Surface mounted: Side entry



螺纹 Thread	型号/Type	订货号 /Part Number
M25	G10B-SGRH-LB-M-M25	



GK-006/36接插体 / GK-006/36 inserts



芯件适配用G16B外壳

Inserts suit for G16B hoods/housing **6/36+** 690V/160V 40/10A**6/36+**

技术参数 / Technical Characteristics

规范/Specifications
DIN EN 60 664
DIN EN 61 984

插芯 / Inserts

接插件针数/Number of contacts	6/36+PE
依据 EN 61984的电气数据 Electrical Data Acc. To EN61984	
电力区 Power Area	
-额定电流/-Rated Current	40A
-额定电压/-Rated Voltage	690V
-额定脉冲电压/-Rated Impulse Voltage	8kV
-污染程度/-Pollution Degree	3
信号区 Signal Area	
-额定电流/-Rated Current	10A
-额定电压/-Rated Voltage	160V
-额定脉冲电压/-Rated Impulse Voltage	2.5kV
-污染程度/-Pollution Degree	3
依据UL/CSA额定电压/Rated Voltage Acc.to UI CSA	600V/300V
绝缘电阻/Insulation resistance	$\geq 10^{10} \Omega$
材料/Material	聚碳酸酯 Polycarbonate
工作温度范围/Temperature range	-40°C...+125°C
依据UL 94的阻燃等级/Flammability Acc. To UI94	V0
可拨插次数/Mechanical working life(mating cycles)	≥ 500

插针 / Contacts

材料/Material	铜合金/Copper Alloy	
表面处理/Surface	镀银/Hard silver-plated	
接触电阻/Contact resistance	$\leq 0.3m\Omega / \leq 3m\Omega$	
接线形式/Terminal	冷压针压接/Crimp terminal	
导线规格/ Wire gauge		
电力区 Power Area	-剥线长度	7 ^{±1} mm
-mm ²		1.5-6mm ²
-AWG		16-10
信号区 Signal Area	-剥线长度	7.5mm
-mm ²		0.5-2.5mm ²
-AWG		20-14
拧紧力矩/-Tightening Torque		
电力区 Power Area		
-mm ²		
-Nm		
信号区 Signal Area		

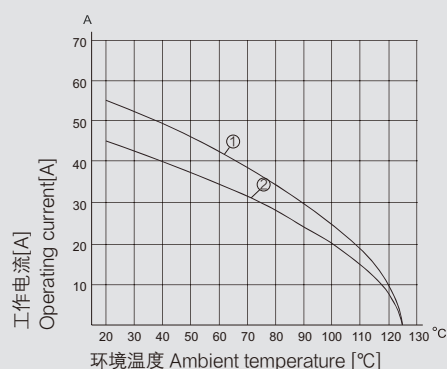
电流负载能力 / Current Carrying Capacity

电流负载能力所受的限制主要来自包含接插针的接插体可承受的最大温度。

测试和控制过程依据 DIN EN 60512-5。

The current carrying is limited by maximum temperature of materials for Inserts and contacts including terminals.

Measuring and testing techniques according to DIN EN 60512-5.



①导线截面 wire gauge: 6.0mm²

②导线截面 wire gauge: 4.0mm²

GK-006/36接插体 / GK-006/36 inserts



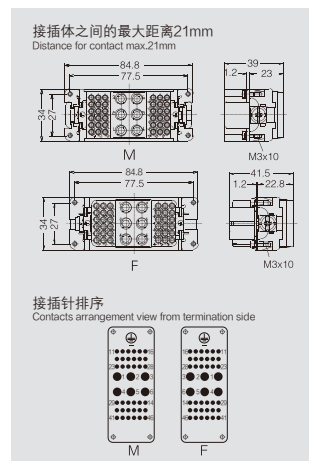
芯件适配G16B外壳

Inserts suit for G16B hoods/housing **6/36+** 400/160V max.40/10A**6/36+**

冷压针压接/Crimp terminal



插芯/Inserts	型号/Type	订货号/Part Number
公 Male	GK-006/36-MC	
母 Female	GK-006/36-FC	



冷压接插针 Crimp contacts 40A 冷压针

技术参数/Technical data

材料: 铜

Material: copper

接触电阻/Contact resistance: $\leq 3m\Omega$

接线形式: 冷压工具压接

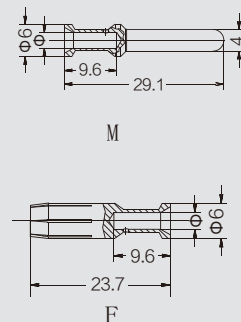
Terminal: crimp connection

(镀银)冷压接插针/Crimp contacts.silver-platea

标识 Identification	线规 Wire gauge	剥线长度 Stripping length	公插针 Male	订货号 Part Number	母插针 Female	订货号 Part Number	内孔 直径
no groove	1.5 mm ²	AWG 16	9.0m m	CCM-1.5	CCF-1.5		1.75
1 groove	2.5 mm ²	AWG 14	9.0m m	CCM-2.5	CCF-2.5		2.25
1 groove	4.0 mm ²	AWG 12	9.6m m	CCM-4.0	CCF-4.0		2.85
2 groove	6.0 mm ²	AWG 10	9.6m m	CCM-6.0	CCF-6.0		3.5
3 groove	10 mm ²	AWG 8	15m m	CCM-10.0	CCF-10.0		4.3

(镀金)冷压接插针/Crimp contacts.Gold-plated

标识 Identification	线规 Wire gauge	剥线长度 Stripping length	公插针 Male	订货号 Part Number	母插针 Female	订货号 Part Number	内孔 直径
no groove	1.5 mm ²	AWG 16	9.0m m	DCM-1.5	DCF-1.5		1.75
1 groove	2.5 mm ²	AWG 14	9.0m m	DCM-2.5	DCF-2.5		2.25
1 groove	4.0 mm ²	AWG 12	9.6m m	DCM-4.0	DCF-4.0		2.85
2 groove	6.0 mm ²	AWG 10	9.6m m	DCM-6.0	DCF-6.0		3.5
3 groove	10 mm ²	AWG 8	15m m	DCM-10.0	DCF-10.0		4.3



冷压接插针 Crimp contacts 10A 冷压针

技术参数/Technical data

材料: 铜

Material: copper

接触电阻/Contact resistance: $\leq 3m\Omega$

接线形式: 冷压工具压接

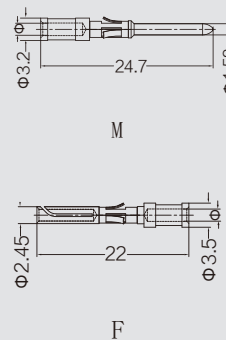
Terminal: crimp connection

(镀银)冷压接插针/Crimp contacts.silver-platea

标识 Identification	线规 Wire gauge	剥线长度 Stripping length	公插针 Male	订货号 Part Number	母插针 Female	订货号 Part Number	内孔 直径
no groove	0.5 mm ²	AWG 20	8.0m m	CDM-0.5	CDF-0.5		1.15
1 groove	0.75 mm ²	AWG 18	8.0m m	CDM-0.75	CDF-0.75		1.3
1 groove	1.0 mm ²	AWG 18	8.0m m	CDM-1.0	CDF-1.0		1.45
2 groove	1.5 mm ²	AWG 16	8.0m m	CDM-1.5	CDF-1.5		1.75
3 groove	2.5 mm ²	AWG 14	8.0m m	CDM-2.5	CDF-2.5		2.25

(镀金)冷压接插针/Crimp contacts.Gold-plated

标识 Identification	线规 Wire gauge	剥线长度 Stripping length	公插针 Male	订货号 Part Number	母插针 Female	订货号 Part Number	内孔 直径
no groove	0.5 mm ²	AWG 20	8.0m m	DDM-0.5	DDF-0.5		1.15
1 groove	0.75 mm ²	AWG 18	8.0m m	DDM-0.75	DDF-0.75		1.3
1 groove	1.0 mm ²	AWG 18	8.0m m	DDM-1.0	DDF-1.0		1.45
2 groove	1.5 mm ²	AWG 16	8.0m m	DDM-1.5	DDF-1.5		1.75
3 groove	2.5 mm ²	AWG 14	8.0m m	DDM-2.5	DDF-2.5		2.25



工具 Tools

冷压钳 Manual hydraulic clamp



退针器 Removal tool



压接线径 Wire gauge	型号/Type	订货号/Part Number
0.5-4mm ²	CRIMPBOX-0.5/4	
1.5-6mm ²	CRIMPBOX-1.5/6	

适用类型 For	型号/Type	订货号/Part Number
40A 冷压针 Crimp contacts	REMOV-GMK/40	
10A 冷压针 Crimp contacts	REMOV-GD	

GK-012/2接插体 / GK-012/2 inserts



芯件适配用G16B外壳

Inserts suit for G16B hoods/housing **12/2+** 690V/160V 40/10A

12/2+

技术参数 / Technical Characteristics

规范/Specifications DIN EN 60 664
DIN EN 61 984

插芯 / Inserts

接插件针数/Number of contacts 12/2+PE

依据 EN 61984的电气数据 Electrical Data Acc. To EN61984

电力区 Power Area

-额定电流/-Rated Current 40A

-额定电压/-Rated Voltage 690V

-额定脉冲电压/-Rated Impulse Voltage 8kV

-污染程度/-Pollution Degree 3

信号区 Signal Area

-额定电流/-Rated Current 10A

-额定电压/-Rated Voltage 160V

-额定脉冲电压/-Rated Impulse Voltage 2.5kV

-污染程度/-Pollution Degree 3

依据UL/CSA额定电压/Rated Voltage Acc.to UI CSA 600V/300V

绝缘电阻/Insulation resistance $\geq 10^{10} \Omega$

材料/Material 聚碳酸酯 Polycarbonate

工作温度范围/Temperature range -40°C...+125°C

依据UL 94的阻燃等级/Flammability Acc. To UI94 V0

可拨插次数/Mechanical working life(mating cycles) ≥ 500

插针 / Contacts

材料/Material 铜合金/Copper Alloy

表面处理/Surface 镀银/Hard silver-plated

接触电阻/Contact resistance $\leq 0.3m\Omega / \leq 3m\Omega$

接线形式/Terminal 冷压针压接/Crimp terminal

导线规格/ Wire gauge

电力区 Power Area -剥线长度 7^{±1}mm

-mm² 1.5-6mm²

-AWG 16-10

信号区 Signal Area -剥线长度 7.5mm

-mm² 0.5-2.5mm²

-AWG 20-14

-拧紧力矩/-Tightening Torque

电力区 Power Area

-mm²

-Nm

信号区 Signal Area

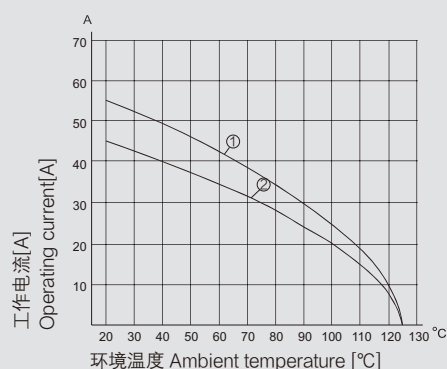
电流负载能力 / Current Carrying Capacity

电流负载能力所受的限制主要来自包含接插针的接插体可承受的最大温度。

测试和控制过程依据 DIN EN 60512-5。

The current carrying is limited by maximum temperature of materials for Inserts and contacts including terminals.

Measuring and testing techniques according to DIN EN 60512-5.



①导线截面 wire gauge: 6.0mm²

②导线截面 wire gauge: 4.0mm²

GK-012/2接插体 / GK-012/2 inserts

芯件适配G16B外壳

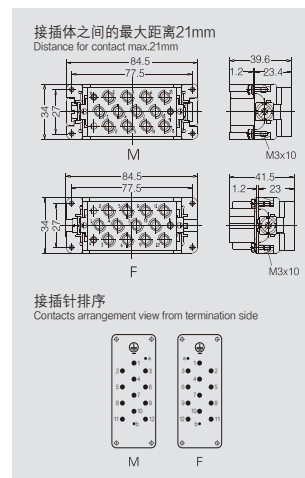
Inserts suit for G16B hoods/housing **12/2+** 690/250V max.40/10A

12/2+

冷压针压接/Crimp terminal



插芯/Inserts	型号/Type	订货号/Part Number
公 Male	GK-012/2-MC	
母 Female	GK-012/2-FC	



冷压接插针 Crimp contacts

40A 冷压针

技术参数/Technical data

材料: 铜

Material: copper

接触电阻/Contact resistance: $\leq 3m\Omega$

接线形式: 冷压工具压接

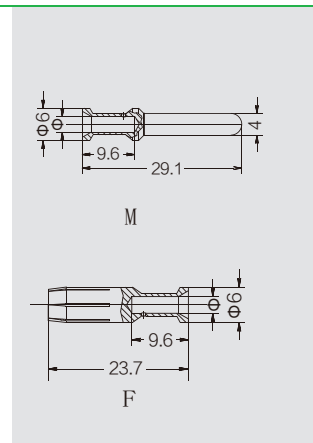
Terminal: crimp connection

(镀银)冷压接插针/Crimp contacts.silver-platea

标识 Identification	线规 Wire gauge	剥线长度 Stripping length	公插针 Male	Part Number	母插针 Female	Part Number	内孔直径
no groove	1.5 mm ²	AWG 16	9.0m m	CCM-1.5	CCF-1.5		1.75
1 groove	2.5 mm ²	AWG 14	9.0m m	CCM-2.5	CCF-2.5		2.25
1 groove	4.0 mm ²	AWG 12	9.6m m	CCM-4.0	CCF-4.0		2.85
2 groove	6.0 mm ²	AWG 10	9.6m m	CCM-6.0	CCF-6.0		3.5
3 groove	10 mm ²	AWG 8	15m m	CCM-10.0	CCF-10.0		4.3

(镀金)冷压接插针/Crimp contacts.Gold-plated

标识 Identification	线规 Wire gauge	剥线长度 Stripping length	公插针 Male	Part Number	母插针 Female	Part Number	内孔直径
no groove	1.5 mm ²	AWG 16	9.0m m	DCM-1.5	DCF-1.5		1.75
1 groove	2.5 mm ²	AWG 14	9.0m m	DCM-2.5	DCF-2.5		2.25
1 groove	4.0 mm ²	AWG 12	9.6m m	DCM-4.0	DCF-4.0		2.85
2 groove	6.0 mm ²	AWG 10	9.6m m	DCM-6.0	DCF-6.0		3.5
3 groove	10 mm ²	AWG 8	15m m	DCM-10.0	DCF-10.0		4.3



冷压接插针 Crimp contacts

10A 冷压针

技术参数/Technical data

材料: 铜

Material: copper

接触电阻/Contact resistance: $\leq 3m\Omega$

接线形式: 冷压工具压接

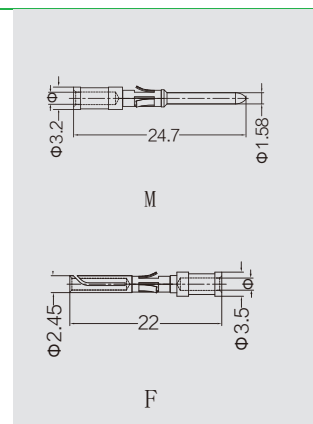
Terminal: crimp connection

(镀银)冷压接插针/Crimp contacts.silver-platea

标识 Identification	线规 Wire gauge	剥线长度 Stripping length	公插针 Male	Part Number	母插针 Female	Part Number	内孔直径
no groove	0.5 mm ²	AWG 20	8.0m m	CDM-0.5	CDF-0.5		1.15
1 groove	0.75 mm ²	AWG 18	8.0m m	CDM-0.75	CDF-0.75		1.3
1 groove	1.0 mm ²	AWG 18	8.0m m	CDM-1.0	CDF-1.0		1.45
2 groove	1.5 mm ²	AWG 16	8.0m m	CDM-1.5	CDF-1.5		1.75
3 groove	2.5 mm ²	AWG 14	8.0m m	CDM-2.5	CDF-2.5		2.25

(镀金)冷压接插针/Crimp contacts.Gold-plated

标识 Identification	线规 Wire gauge	剥线长度 Stripping length	公插针 Male	Part Number	母插针 Female	Part Number	内孔直径
no groove	0.5 mm ²	AWG 20	8.0m m	DDM-0.5	DDF-0.5		1.15
1 groove	0.75 mm ²	AWG 18	8.0m m	DDM-0.75	DDF-0.75		1.3
1 groove	1.0 mm ²	AWG 18	8.0m m	DDM-1.0	DDF-1.0		1.45
2 groove	1.5 mm ²	AWG 16	8.0m m	DDM-1.5	DDF-1.5		1.75
3 groove	2.5 mm ²	AWG 14	8.0m m	DDM-2.5	DDF-2.5		2.25



工具 Tools

冷压钳 Manual hydraulic clamp



压接线径 Wire gauge	型号/Type	订货号/Part Number
0.5-4mm ²	CRIMBOX-0.5/4	
1.5-6mm ²	CRIMBOX-1.5/6	

退针器 Removal tool



适用类型 For	型号/Type	订货号/Part Number
40A 冷压针 Crimp contacts	REMOV-GMK/40	
10A 冷压针 Crimp contacts	REMOV-GD	

G16B 双扣外壳 /G16B with 2 lever on the hoods/housings



底部外壳安装开孔尺寸/Housing mounting dimensions PAGE/390

表面粉末镀层, RAL 7037 / Powder-coated, RAL 7037

防护等级 Degree of protection : IP65

上壳 / Hoods

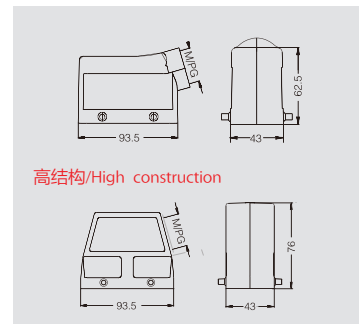
侧面进线 Side entry



螺纹 Thread	型号/Type	订货号 /Part Number
PG21	G16B-TS-PG21	
M25	G16B-TS-M25	
M32	G16B-TS-M32	



高结构/High construction		
PG21	G16B-TSH-PG21	
PG29	G16B-TSH-PG29	
M25	G16B-TSH-M25	
M32	G16B-TSH-M32	
M40	G16B-TSH-M40	



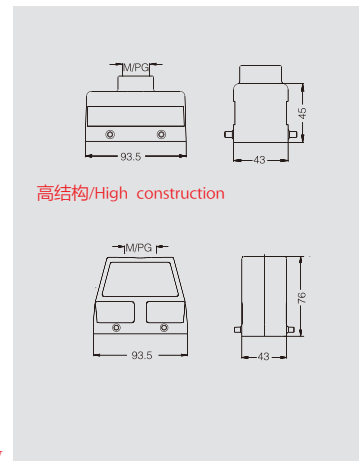
顶部进线 Top entry



螺纹 Thread	型号/Type	订货号 /Part Number
PG21	G16B-TG-PG21	
M25	G16B-TG-M25	
M32	G16B-TG-M32	



高结构/High construction		
PG21	G16B-TGH-PG21	
PG29	G16B-TGH-PG29	
M25	G16B-TGH-M25	
M32	G16B-TGH-M32	
M40	G16B-TGH-M40	

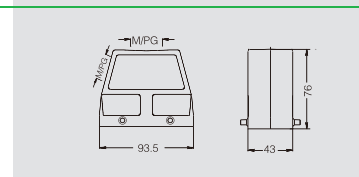


上壳侧出线/顶出线 Hoods, side&top entry, high construction



我可提供顶部、侧面同时出线的非标品
We can provide non-standard products with both top&side entry

型号为:G16B-TSH/TGH-PG/M 如有需要请与我司联系



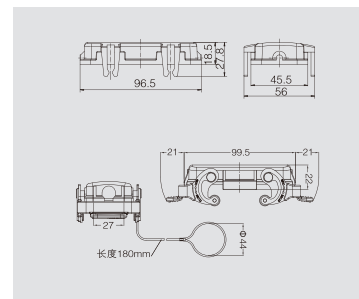
上壳保护盖 Protection covers for hoods



螺纹 Thread	型号/Type	订货号 /Part Number
	G16B-KDT	



带金属保护盖/With protection cover		
金属盖/用于上壳 For hoods		
	G16B-KD T-LA-1	
金属盖/用于下壳 For housings		
	G16B-KD T-LA-2	

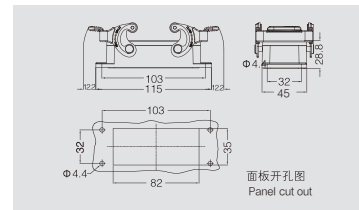


下壳底座 / Housings

外壳底座:开孔安装 Bulkhead mounted



螺纹 Thread	型号/Type	订货号 /Part Number
	G16B-AG	



G16B 双扣外壳 /G16B with 2 lever on the hoods/housings



底部外壳安装开孔尺寸/Housing mounting dimensions PAGE/390

表面粉末镀层, RAL 7037 / Powder-coated, RAL 7037

防护等级 Degree of protection : IP65

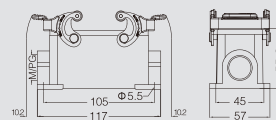
下壳底座 / Housings

外壳底座: 表面安装

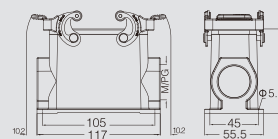
Surface mounted: Side entry



螺纹 Thread	型号/Type	订货号 /Part Number
1个进线孔 1 side entry		
PG21	G16B-SGR-PG21	
M25	G16B-SGR-M25	
2个进线孔 2 side entry		
PG21	G16B-SGR-2PG21	
M25	G16B-SGR-2M25	
高结构/High construction		
PG29	G16B-SGRH-PG29	
M32	G16B-SGRH-M32	
M40	G16B-SGRH-M40	
2个进线孔 2 side entry		
PG29	G16B-SGRH-2PG29	
M32	G16B-SGRH-2M32	
M40	G16B-SGRH-2M40	



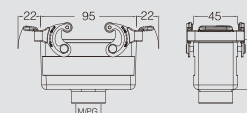
高结构/High construction



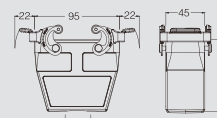
电缆对接下壳 Cable-to-cable hood



螺纹 Thread	型号/Type	订货号 /Part Number
PG21	G16B-TBF-PG21	
M25	G16B-TBF-M25	
M32	G16B-TBF-M32	
高结构/High construction		
PG21	G16B-TBFH-PG21	
PG29	G16B-TBFH-PG29	
M25	G16B-TBFH-M25	
M32	G16B-TBFH-M32	



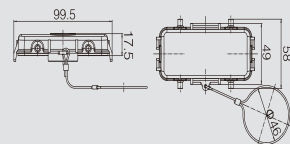
高结构/High construction



底座保护盖 Housing protection cover



螺纹 Thread	型号/Type	订货号 /Part Number
	G16B-KDB	
金属保护盖 /With protection cover		
金属盖/用于上壳 For hoods		
	G16B-KDB-LA-1	
金属盖/用于下壳 For housings		
	G16B-KDB-LA-2	



G16B 双扣外壳 /G16B with 2 lever on the hoods/housings



底部外壳安装开孔尺寸/Housing mounting dimensions PAGE/390

表面粉末镀层, RAL 7037 / Powder-coated, RAL 7037

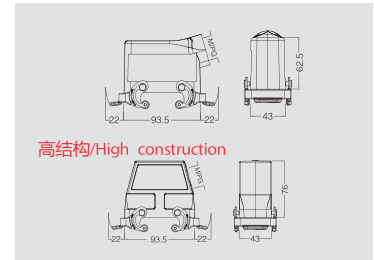
防护等级 Degree of protection : IP65

上壳 / Hoods

侧出带双扣下壳
Side entry housing with two levers



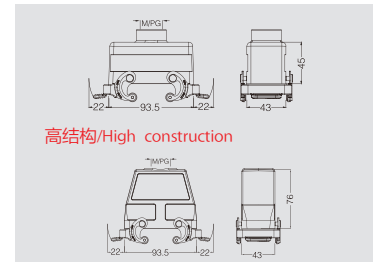
螺纹 Thread	型号/Type	订货号 /Part Number
PG21	G16B-TSB-PG21	
M25	G16B-TSB-M25	
M32	G16B-TSB-M32	
高结构/High construction		
PG21	G16B-TSBH-PG21	
PG29	G16B-TSBH-PG29	
M25	G16B-TSBH-M25	
M32	G16B-TSBH-M32	



顶出带双扣下壳
Top entry housing with two levers



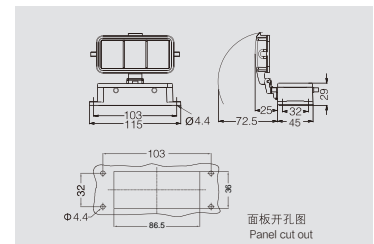
螺纹 Thread	型号/Type	订货号 /Part Number
PG21	G16B-TGB-PG21	
M25	G16B-TGB-M25	
M32	G16B-TGB-M32	
高结构/High construction		
PG21	G16B-TGBH-PG21	
PG29	G16B-TGBH-PG29	
M25	G16B-TGBH-M25	
M32	G16B-TGBH-M32	



双扣带盖开孔底座
Bulkhead mounting with hoods



螺纹 Thread	型号/Type	订货号 /Part Number
	G16B-AG-BO	
	带保护盖/with protection cover	
	G16B-AD-BO	
	带金属保护盖/with protection cover	
	G16B-AD-AL-BO	

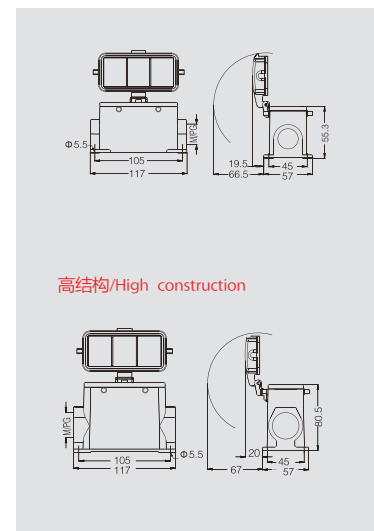


下壳底座 / Housings

双扣带盖表面安装底座
Surface mounting with hoods



螺纹 Thread	型号/Type	订货号 /Part Number
1个进线孔 1 side entry		
PG21	G16B-SDR-BO-PG21	
M25	G16B-SDR-BO-M25	
2个进线孔 2 side entry		
PG21	G16B-SDR-BO-2PG21	
M25	G16B-SDR-BO-2M25	
高结构/High construction		
1个进线孔 1 side entry		
PG21	G16B-SDRH-BO-PG21	
PG29	G16B-SDRH-BO-PG29	
M32	G16B-SDRH-BO-M32	
2个进线孔 2 side entry		
PG21	G16B-SDRH-BO-2PG21	
PG29	G16B-SDRH-BO-2PG29	
M32	G16B-SDRH-BO-2M32	



G16B单扣外壳 /G16B with 1 lever on the hoods/housings



底部外壳安装开孔尺寸/Housing mounting dimensions PAGE/390

表面粉末镀层, RAL 7037 / Powder-coated, RAL 7037

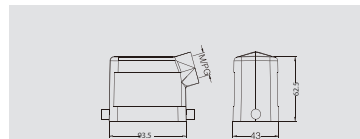
防护等级 Degree of protection : IP65

上壳 / Hoods

侧面进线 Side entry

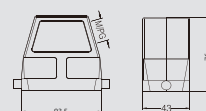


螺纹 Thread	型号/Type	订货号 /Part Number
PG21	G16B-TS-RO-PG21	
M25	G16B-TS-RO-M25	
M32	G16B-TS-RO-M32	



高结构/High construction		
PG21	G16B-TSH-RO-PG21	
PG29	G16B-TSH-RO-PG29	
M25	G16B-TSH-RO-M25	
M32	G16B-TSH-RO-M32	
M40	G16B-TSH-RO-M40	

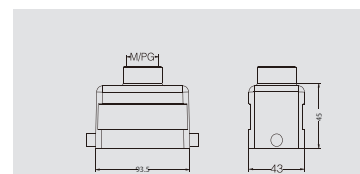
高结构/High construction



顶部进线 Top entry

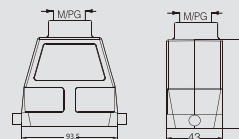


螺纹 Thread	型号/Type	订货号 /Part Number
PG21	G16B-TG-RO-PG21	
M25	G16B-TG-RO-M25	
M32	G16B-TG-RO-M32	



高结构/High construction		
PG21	G16B-TGH-RO-PG21	
PG29	G16B-TGH-RO-PG29	
M25	G16B-TGH-RO-M25	
M32	G16B-TGH-RO-M32	
M40	G16B-TGH-RO-M40	

高结构/High construction

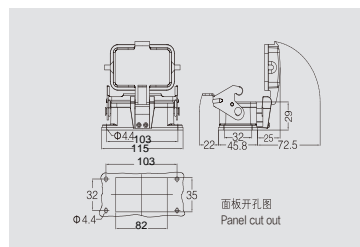


下壳底座 / Housings

外壳底座: 开孔安装 Bulkhead mounted



螺纹 Thread	型号/Type	订货号 /Part Number
	G16B-AG-LB	
	带保护盖/ith protection cover	
	G16B-AD-LB	
	上壳保护盖/protection cover	
	G16B-KDT-LB	



G16B单扣外壳 /G16B with 1 lever on the hoods/housings



底部外壳安装开孔尺寸/Housing mounting dimensions PAGE/390

表面粉末镀层, RAL 7037 / Powder-coated, RAL 7037

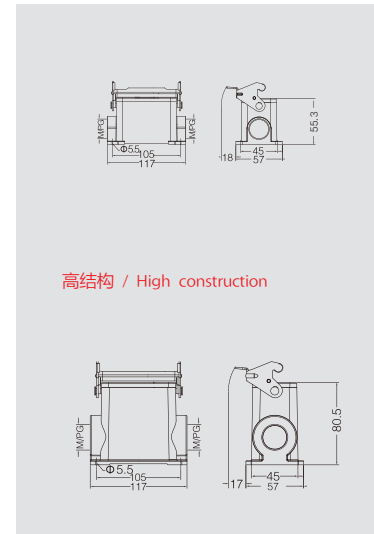
防护等级 Degree of protection : IP65

下壳底座 / Housings

外壳底座: 表面安装
Surface mounted: Side entry



螺纹 Thread	型号/Type	订货号 /Part Number
1个进线孔1 side entry		
PG21	G16B-SGR-LB-PG21	
M25	G16B-SGR-LB-M25	
2个进线孔2 side entry		
2PG21	G16B-SGR-LB-2PG21	
2M25	G16B-SGR-LB-2M25	
高结构 / High construction		
1个进线孔1 side entry		
PG21	G16B-SGRH-LB-PG21	
PG29	G16B-SGRH-LB-PG29	
M32	G16B-SGRH-LB-M32	
2个进线孔2 side entry		
PG21	G16B-SGRH-LB-2PG21	
PG29	G16B-SGRH-LB-2PG29	
M32	G16B-SGRH-LB-2M32	

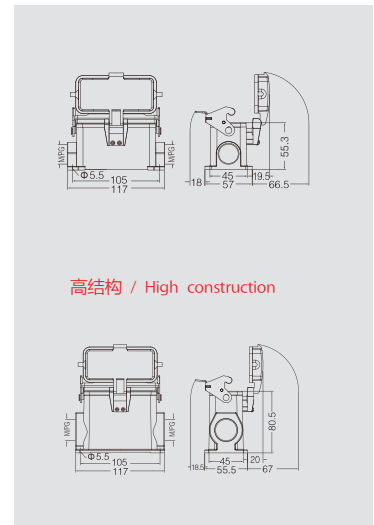


下壳底座 / Housings

带盖表面安装底座 Surface mounting



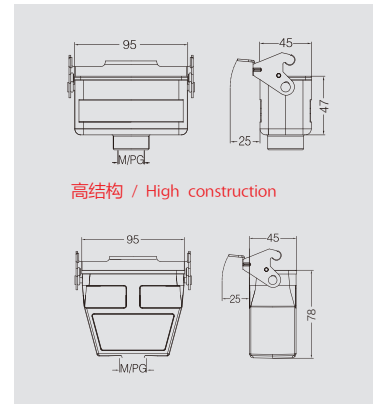
螺纹 Thread	型号/Type	订货号 /Part Number
1个进线孔1 side entry		
PG21	G16B-SDR-LB-PG21	
M25	G16B-SDR-LB-M25	
2个进线孔2 side entry		
2PG21	G16B-SDR-LB-2PG21	
2M25	G16B-SDR-LB-2M25	
高结构 / High construction		
1个进线孔1 side entry		
PG21	G16B-SDRH-LB-PG21	
PG29	G16B-SDRH-LB-PG29	
M32	G16B-SDRH-LB-M32	
2个进线孔2 side entry		
PG21	G16B-SDRH-LB-2PG21	
PG29	G16B-SDRH-LB-2PG29	
M32	G16B-SDRH-LB-2M32	



电缆对接下壳 Cable-to-cable hood



螺纹 Thread	型号/Type	订货号 /Part Number
PG21	G16B-TBF-LB-PG21	
M25	G16B-TBF-LB-M25	
M32	G16B-TBF-LB-M32	
高结构 / High construction		
PG21	G16B-TBFH-LB-PG21	
PG29	G16B-TBFH-LB-PG29	
M32	G16B-TBFH-LB-M32	
M40	G16B-TBFH-LB-M40	



G16B 耐腐蚀外壳 Metal Hoods & Housings For higher environmental requirements



底部外壳安装开孔尺寸/Housing mounting dimensions PAGE/390

表面粉末镀层, RAL 9005 / Powder-coated, RAL 9005

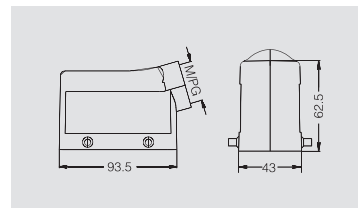
防护等级 Degree of protection : IP65

上壳 / Hoods

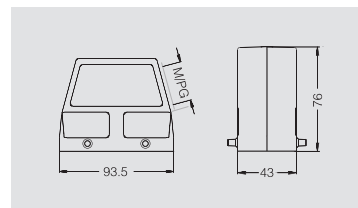
侧面进线 Side entry



螺纹 Thread	型号/Type	订货号 /Part Number
PG21	G16B-TS-M-PG21	
M25	G16B-TS-M-M25	

侧出线高结构
side entry, high construction

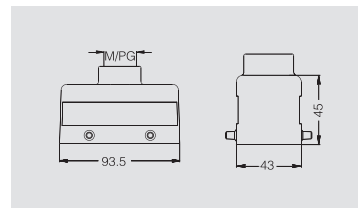
螺纹 Thread	型号/Type	订货号 /Part Number
PG29	G16B-TSH-M-PG29	
M32	G16B-TSH-M-M32	
M40	G16B-TSH-M-M40	



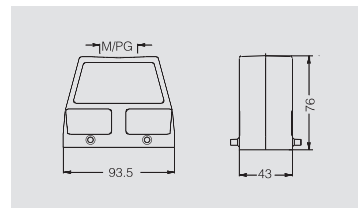
顶部进线 Top entry



螺纹 Thread	型号/Type	订货号 /Part Number
PG21	G16B-TG-M-PG21	
M25	G16B-TG-M-M25	

顶出线高结构
top entry, high construction

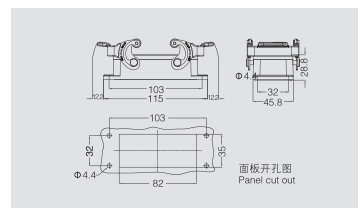
螺纹 Thread	型号/Type	订货号 /Part Number
PG29	G16B-TGH-M-PG29	
M32	G16B-TGH-M-M32	



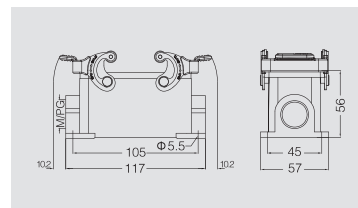
下壳底座 / Housings

外壳底座:开孔安装
Bulkhead mounted

螺纹 Thread	型号/Type	订货号 /Part Number
---	G16B-AG-M	

外壳底座: 表面安装
Surface mounted: Side entry

螺纹 Thread	型号/Type	订货号 /Part Number
PG21	G16B-SGR-M-PG21	
M25	G16B-SGR-M-M25	



G16B耐腐蚀外壳 Metal Hoods & Housings For higher environmental requirements



底部外壳安装开孔尺寸/Housing mounting dimensions PAGE/390

表面粉末镀层, RAL 9005 / Powder-coated, RAL 9005

防护等级 Degree of protection : IP65

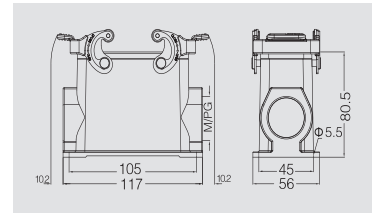
下壳底座 / Housings

封底下壳高结构

Housings, surface mounting, high construction



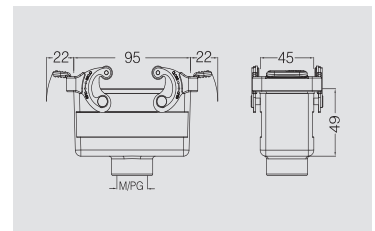
螺纹 Thread	型号/Type	订货号 /Part Number
2PG29	G16B-SGRH-M-2PG29	
2M32	G16B-SGRH-M-2M32	
2M40	G16B-SGRH-M-2M40	



电缆对接下壳 Cable-to-cable hood



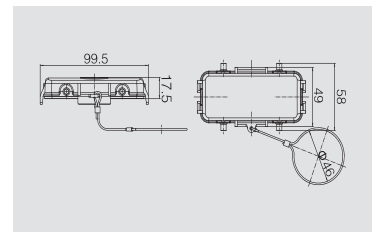
螺纹 Thread	型号/Type	订货号 /Part Number
PG21	G16B-TBF-M-PG21	



底座保护盖 Housing protection cover



螺纹 Thread	型号/Type	订货号 /Part Number
	金属盖/用于上壳 For hoods	
	G16B-KDB-LA-M-1	
	金属盖/用于下壳 For housings	
	G16B-KDB-LA-M-2	



上壳保护盖 Protection covers for hoods



螺纹 Thread	型号/Type	订货号 /Part Number
	金属盖/用于上壳 For hoods	
	G16B-KDT-LA-M-1	
	金属盖/用于下壳 For housings	
	G16B-KDT-LA-M-2	

