



电流负载能力 / Current carrying capacity

电流负载能力所受的限制主要来自包含接插针的接插体可承受的最大温度。

测试和控制过程依据DINIEC 60512-3。

The current carrying is limited by maximum temperature of materials for inserts and contacts including terminals.

Control and test procedures according to DIN IEC 60512-3.

规范 / Specifications

DIN VDE 0627
DIN VDE 0110

接插件针数/Number of contacts 6,10,16,24,32(2X16),
48(2X24)+PE

插接体 / Inserts

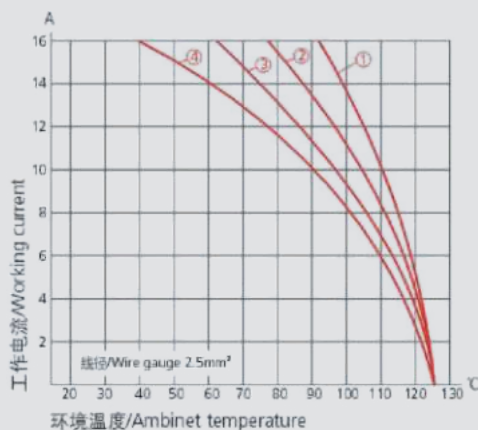
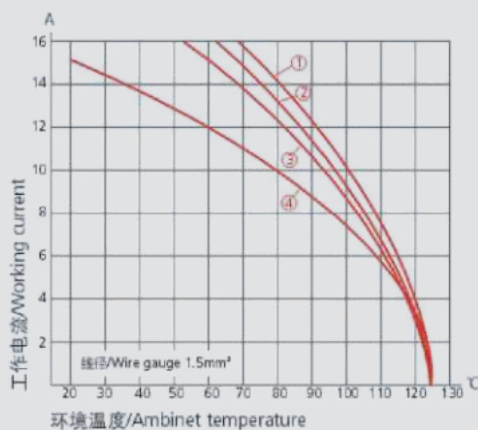
| | |
|--|-----------------------|
| 工作电流/Working current (见负载图/See current carrying capacity) | 16 A max. |
| 工作电压/Working voltage | 500V |
| 测试电压/Test voltage Urms | 6KV |
| 污染等级/Pollution degree | 3(C) |
| 隔离电阻/Insulation resistance | $\geq 10^{10} \Omega$ |
| 材料/Material | Polycarbonate |
| 工作温度范围/Temperature range | -40°C...+100°C/125°C |
| 阻燃等级(UL94)Flammability acc.to (UI94) | V0 |
| 据UL/CSA工作电压Working voltage acc.to UL/CSA | 600V |
| 可插拔次数/Mechanical working life(mating cycles) | ≥ 500 |

接插针 / Contacts

| | |
|---|---|
| 材料/Material | 铜/Copper alloy |
| 表面处理/Surface | 镀银/Hard silver-plated 镀金/Hard gold-plated |
| 接触电阻/Contact resistance | $\leq 1m \Omega$ |
| 接线形式/Terminal -mm ² -AWG | 直插压接/ straight crimping 0.5-4.0mm ² 14 |
| 拧紧力矩/测试力矩Tightening/test torque | 0.5Nm |

金属上壳/底座 Hoods/Housings

| | |
|--|---|
| 材料/Material | 铸铝合金/Die cast aluminium |
| 表面处理/Surface | 高温粉末镀层,灰色 Powder-coated, RAL 7037 |
| 锁定装置/Locking element | 不锈钢或铁镀锌 Stainless steel, steel-zinc plated |
| 工作温度范围/Temperature range | -40°C...+125°C |
| 防护等级/Degree of protection acc.to DIN40 050 | IP65 |



①GDC-GE-006 ②GDC-GE-010
③GDC-GE-016 ④GDC-GE-024

GE-003/GE-004接插体 / GE-003/GE-004 inserts



芯件适配用 G3A 外壳
Inserts suit for G3A hoods/housing

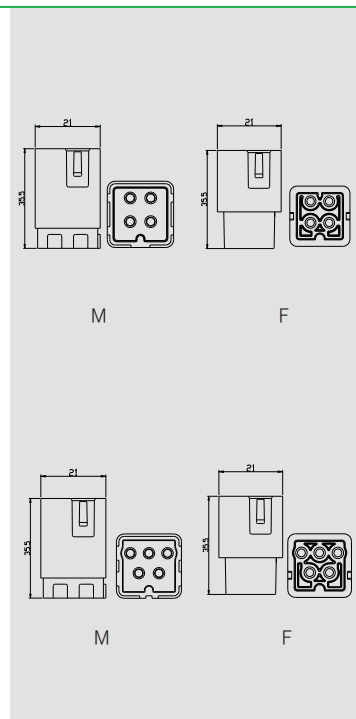
3+ ⊕ 4+ ⊕

直插压接 / Screw terminal



3+ ⊕ 500V/16A **开发中**

| 插芯/Inserts | 型号/Type | 订货号/Part Number |
|------------|-----------|-----------------|
| 公 Male | GE-003-MZ | |
| 母 Female | GE-003-FZ | |



直插压接 / Screw terminal



4+ ⊕ 500V/16A **开发中**

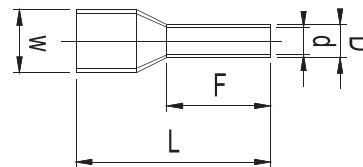
| 插芯/Inserts | 型号/Type | 订货号/Part Number |
|------------|-----------|-----------------|
| 公 Male | GE-004-MZ | |
| 母 Female | GE-004-FZ | |



管形预绝缘端头



EV___
极限工作温度:105℃, Ui: 300V
端头材质: 紫铜管
绝缘材料: 乙烯基



| 型号 | 订货号 | 包装数 | 导线截面 (mm ²) | 预绝缘端头色标 | 尺寸(mm) | | | | |
|-----------|---------|------|-------------------------|---------|--------|------|-----|-----|-----|
| | | | | | F | L | D | d | W |
| EV0.5-10 | 5570103 | 1000 | 0.5 | (WH) | 10.0 | 16.0 | 1.3 | 1.0 | 2.6 |
| EV0.75-10 | 5570107 | 1000 | 0.75 | (BU) | 10.0 | 16.4 | 1.5 | 1.2 | 2.8 |
| EV1-10 | 5570111 | 1000 | 1.0 | (RD) | 10.0 | 16.4 | 1.7 | 1.4 | 3 |
| EV1.5-10 | 5570114 | 1000 | 1.5 | (BK) | 10.0 | 16.4 | 2.0 | 1.7 | 3.5 |
| EV2.5-10 | 5570118 | 1000 | 2.5 | (GY) | 10.0 | 17.4 | 2.6 | 2.2 | 4 |



| 型号 | 压接范围 | 订货号 |
|--------|--------------------------------------|-----------|
| CE-501 | 0.08~6.0mm ² (可调节压接范围) | 3 954 100 |

| 型号 | 压接范围 | 订货号 |
|--------|------------------------|-----------|
| CE-502 | 0.5~6.0mm ² | 3 954 101 |

G3A塑料外壳 / G3A metal hoods/housings



底部外壳安装开孔尺寸 /Housing mounting dimensions PAGE/390

gP (Zx \ddot{x} x o

防护等级 Degree of protection : IP65

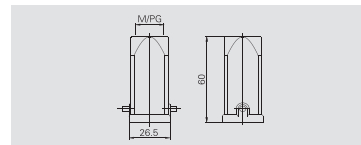
r RAL7032

上壳 / Hoods

顶部进线 Top entry



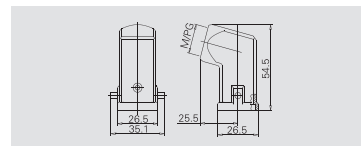
| 螺纹 Thread | 型号 /Type | 订货号 /Part Number |
|-----------|----------------|------------------|
| PG11 | G3A-MTG-P-PG11 | |
| M20 | G3A-MTG-P-M20 | |



侧面进线 Side entry



| 螺纹 Thread | 型号 /Type | 订货号 /Part Number |
|-----------|----------------|------------------|
| PG11 | G3A-MTS-P-PG11 | |
| M20 | G3A-MTS-P-M20 | |



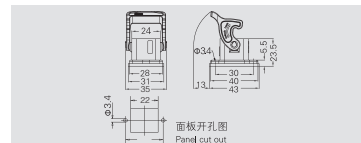
下壳底座 / Housings

开孔安装

Bulkhead mounting: Bottom entry



| 螺纹 Thread | 型号 /Type | 订货号 /Part Number |
|-----------|-----------|------------------|
| - - - | G3A-MAG-P | |

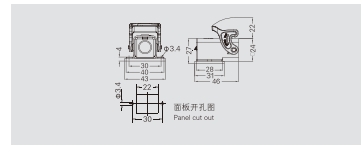


开孔安装(侧出形式)

Bulkhead mounting: Bottom entry



| 螺纹 Thread | 型号 /Type | 订货号 /Part Number |
|-----------|------------|------------------|
| --- | G3A-MAGS-P | |

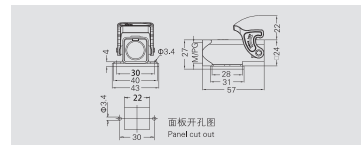


表面安装(侧面形式)

Surface mounting: Side entry



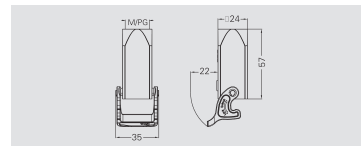
| 螺纹 Thread | 型号 /Type | 订货号 /Part Number |
|-----------|------------------|------------------|
| PG11 | G3A-MAGSV-P-PG11 | |
| M20 | G3A-MAGSV-P-M20 | |



电缆对接下壳 Cable-to-cable hood:



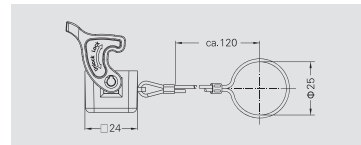
| 螺纹 Thread | 型号 /Type | 订货号 /Part Number |
|-----------|------------------|------------------|
| PG11 | G3A-MTGVB-P-PG11 | |
| M20 | G3A-MTGVB-P-M20 | |



上壳保护盖 Protection covers for housings



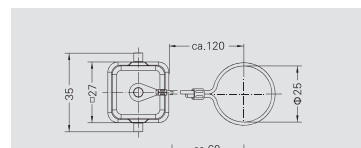
| 螺纹 Thread | 型号 /Type | 订货号 /Part Number |
|-----------|------------------|------------------|
| —○ | 配公芯 G3A-KDT-P/1M | |
| —○ | 配母芯 G3A-KDT-P/1F | |



底座保护盖 Protection covers for housings



| 螺纹 Thread | 型号 /Type | 订货号 /Part Number |
|-----------|------------------|------------------|
| —○ | 配公芯 G3A-KDB-P/1M | |
| —○ | 配公芯 G3A-KDB-P/2M | |
| —○ | 配母芯 G3A-KDB-P/1F | |
| —○ | 配母芯 G3A-KDB-P/2F | |



G3A金属外壳 / G3A metal hoods/housings



底部外壳安装开孔尺寸/Housing mounting dimensions PAGE/390

表面粉末镀层,RAL7037 / Powder-coated,RAL 7037

防护等级 Degree of protection : IP65

上壳 / Hoods

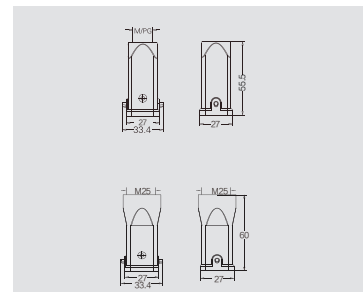
顶部进线 Top entry



| 螺纹 Thread | 型号/Type | 订货号 /Part Number |
|-----------|--------------|------------------|
| PG11 | G3A-MTG-PG11 | |
| M20 | G3A-MTG-M20 | |



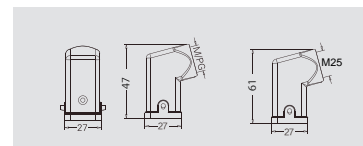
| 螺纹Thread | 型号 /Type | 订货号 /Part Number |
|----------|-------------|------------------|
| M25 | G3A-MTG-M25 | |



侧面进线 Side entry



| 螺纹 Thread | 型号/Type | 订货号 /Part Number |
|-----------|--------------|------------------|
| PG11 | G3A-MTS-PG11 | |
| M20 | G3A-MTS-M20 | |
| M25 | G3A-MTS-M25 | |



下壳底座 / Housings

开孔安装

Bulkhead mounting: Bottom entry



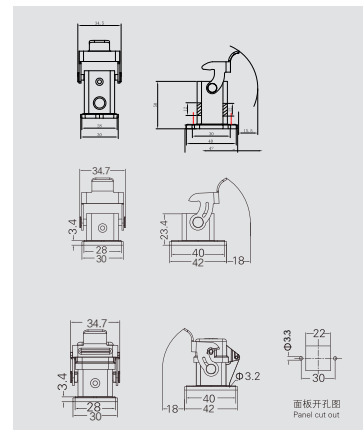
| 螺纹 Thread | 型号/Type | 订货号 /Part Number |
|-----------|--------------|------------------|
| | G3A-MAG-12/2 | |



| 螺纹 Thread | 型号/Type | 订货号 /Part Number |
|-----------|---------|------------------|
| --- | G3A-MAG | |



| 螺纹 Thread | 型号/Type | 订货号 /Part Number |
|-----------|------------|------------------|
| --- | G3A-MAG-AD | |

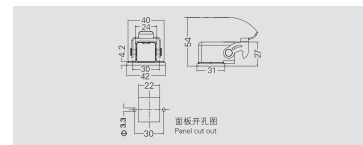


开孔安装(侧出形式)

Bulkhead mounting: Bottom entry



| 螺纹 Thread | 型号/Type | 订货号 /Part Number |
|-----------|----------|------------------|
| --- | G3A-MAGS | |

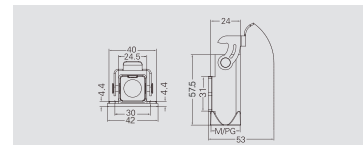


表面安装(侧面形式)

Surface mounting: Side entry



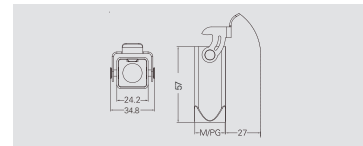
| 螺纹 Thread | 型号/Type | 订货号 /Part Number |
|-----------|----------------|------------------|
| PG11 | G3A-MAGSV-PG11 | |
| M20 | G3A-MAGSV-M20 | |



电缆对接下壳 Cable-to-cable hood:



| 螺纹 Thread | 型号/Type | 订货号 /Part Number |
|-----------|----------------|------------------|
| PG11 | G3A-MTGVB-PG11 | |
| M20 | G3A-MTGVB-M20 | |



G3A金属外壳 EMC / G3A metal hoods/housings



底部外壳安装开孔尺寸/Housing mounting dimensions PAGE/390

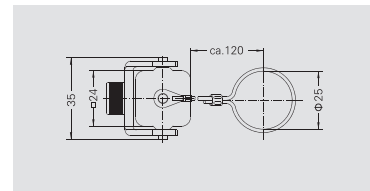
表面粉末镀层,RAL7037 / Powder-coated,RAL 7037

保护盖

上壳保护盖
Protection covers for housings



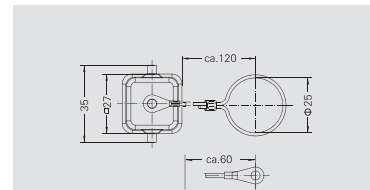
| 螺纹 Thread | 型号/Type | 订货号 /Part Number |
|-----------|-------------------|------------------|
| | 配公芯 G3A-KDT-LA/1M | |
| | 配母芯 G3A-KDT-LA/1F | |



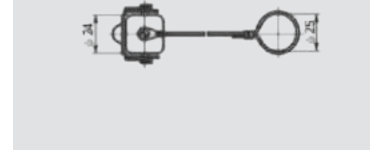
底座保护盖
Protection covers for housings



| 螺纹 Thread | 型号/Type | 订货号 /Part Number |
|-----------|-------------------|------------------|
| | 配公芯 G3A-KDB-LA/1M | |
| | 配公芯 G3A-KDB-LA/2M | |
| | 配母芯 G3A-KDB-LA/1F | |
| | 配母芯 G3A-KDB-LA/2F | |



| 螺纹 Thread | 型号/Type | 订货号 /Part Number |
|-----------|---------|------------------|
| --- | G3A-KDB | |



G3A高防护金属外壳 / G3A metal hoods/housings

防护等级Degree of protection: IP68 H version

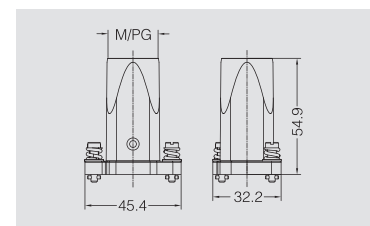
喷涂/镀铬 Epoxy power paint/Chromated

上壳 / Hoods

顶部进线 Top entry



| 螺纹 Thread | 型号/Type | 订货号 /Part Number |
|-----------|--------------------|------------------|
| PG13.5 | G3A-MTGH-HP-PG13.5 | |
| M20 | G3A-MTGH-HP-M20 | |

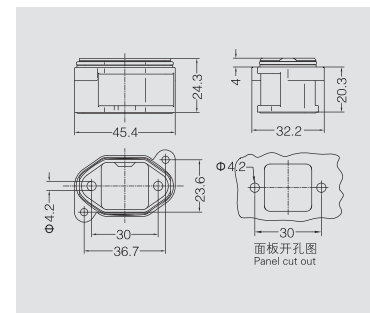


下壳底座 / Housings

开孔安装
Bulkhead mounting: Bottom entry



| 螺纹 Thread | 型号/Type | 订货号 /Part Number |
|-----------|-------------|------------------|
| | G3A-MAGH-HP | |



GE-006接插体 / GE-006 inserts



芯件适配G6B外壳

Inserts suit for G6B hoods/housing

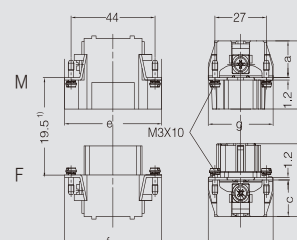
6+

直插压接/ straight crimping

500V max.16A



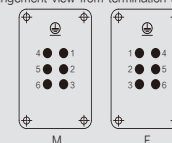
| 插芯/Inserts | 型号/Type | 订货号/Part Number |
|------------|----------------|-----------------|
| 公 Male | GE-006-MZ | |
| 母 Female | GE-006-FZ | |
| 公 Male | GE-006-MZN(尼龙) | |
| 母 Female | GE-006-FZN(尼龙) | |

1) 接插体之间的最大距离21mm
1) Distance for contact max.21mm

| | a | b | e | g | c | d | f | m |
|-------|------|------|----|------|------|------|----|----|
| MZ/FZ | 17.4 | 34.5 | 51 | 33.8 | 17.2 | 36.7 | 51 | 34 |

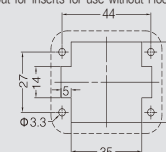
接插针排序

Contacts arrangement view from termination side



面板安装开孔图

Panel cut out for inserts for use without Hoods/housings



管形预绝缘端头

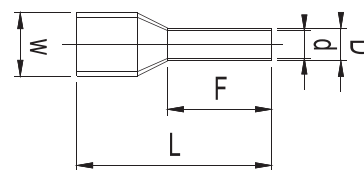


EV_ _ _

极限工作温度:105°C, Ui: 300V

端头材质: 紫铜管

绝缘材料: 乙烯基



| 型号 | 订货号 | 包装数 | 导线截面 (mm ²) | 预绝缘端 头色标 | 尺寸(mm) | | | | |
|-----------|---------|------|----------------------------|-------------|--------|------|-----|-----|-----|
| | | | | | F | L | D | d | W |
| EV0.5-10 | 5570103 | 1000 | 0.5 | (WH) | 10.0 | 16.0 | 1.3 | 1.0 | 2.6 |
| EV0.75-10 | 5570107 | 1000 | 0.75 | (BU) | 10.0 | 16.4 | 1.5 | 1.2 | 2.8 |
| EV1-10 | 5570111 | 1000 | 1.0 | (RD) | 10.0 | 16.4 | 1.7 | 1.4 | 3 |
| EV1.5-10 | 5570114 | 1000 | 1.5 | (BK) | 10.0 | 16.4 | 2.0 | 1.7 | 3.5 |
| EV2.5-10 | 5570118 | 1000 | 2.5 | (GY) | 10.0 | 17.4 | 2.6 | 2.2 | 4 |



| 型号 | 压接范围 | 订货号 |
|--------|--------------------------------------|-----------|
| CE-501 | 0.08~6.0mm ² (可调节压接范围) | 3 954 100 |



| 型号 | 压接范围 | 订货号 |
|--------|------------------------|-----------|
| CE-502 | 0.5~6.0mm ² | 3 954 101 |

G6B带单扣外壳 / G6B with 1 lever on the hoods/housings



底部外壳安装开孔尺寸/Housing mounting dimensions PAGE/390
 防护等级 Degree of protection : IP65

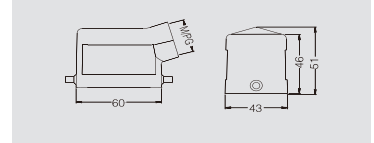
表面粉末镀层, RAL 7037 / Powder-coated, RAL 7037

上壳 / Hoods

侧面进线: Side entry



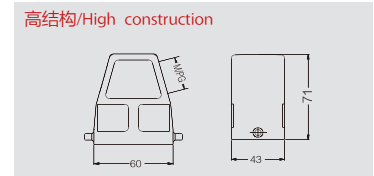
| 螺纹 Thread | 型号/Type | 订货号 /Part Number |
|-----------|------------------|------------------|
| PG13.5 | G6B-TS-RO-PG13.5 | |
| PG16 | G6B-TS-RO-PG16 | |
| M20 | G6B-TS-RO-M20 | |
| M25 | G6B-TS-RO-M25 | |



侧面进线: Side entry



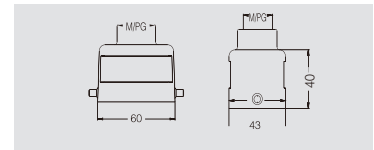
| 螺纹 Thread | 型号/Type | 订货号 /Part Number |
|-----------------------|-----------------|------------------|
| 高结构/High construction | | |
| PG21 | G6B-TSH-RO-PG21 | |
| PG29 | G6B-TSH-RO-PG29 | |
| M25 | G6B-TSH-RO-M25 | |
| M32 | G6B-TSH-RO-M32 | |



顶部进线: Top entry



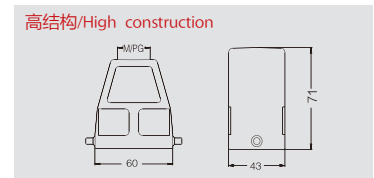
| 螺纹 Thread | 型号/Type | 订货号 /Part Number |
|-----------|------------------|------------------|
| PG13.5 | G6B-TG-RO-PG13.5 | |
| PG16 | G6B-TG-RO-PG16 | |
| M20 | G6B-TG-RO-M20 | |
| M25 | G6B-TG-RO-M25 | |



顶部进线: Top entry



| 螺纹 Thread | 型号/Type | 订货号 /Part Number |
|-----------------------|-----------------|------------------|
| 高结构/High construction | | |
| PG21 | G6B-TGH-RO-PG21 | |
| PG29 | G6B-TGH-RO-PG29 | |
| M25 | G6B-TGH-RO-M25 | |
| M32 | G6B-TGH-RO-M32 | |

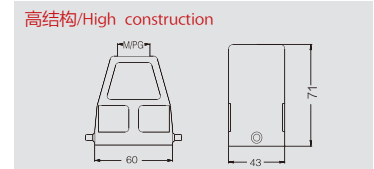


上壳侧出线/顶出线
 Hoods,side&top entry,high construction



我司可提供顶部、侧面同时出线的非标品
 We can provide non-standard products with both top&side entry

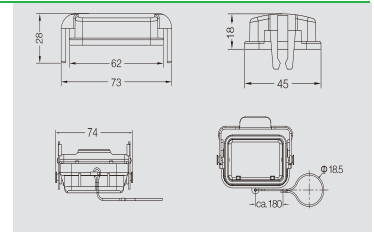
型号为:G6B-TSH/TGH-RO-XX/XX
 如有需要请与我司联系



上壳保护盖 Protection covers for hoods



| 螺纹 Thread | 型号/Type | 订货号 /Part Number |
|------------------------------|------------|------------------|
| | G6B-KDT | |
| 带金属保护盖/With protection cover | | |
| | G6B-KDT-LA | |

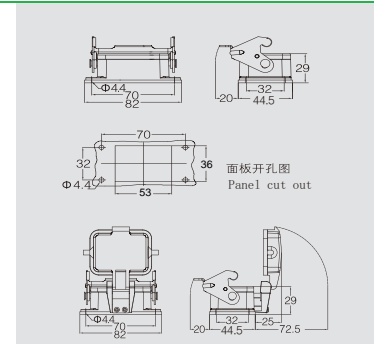


下壳底座 / Housings

外壳底座: 开孔安装
 Bulkhead mounted: Bottom entry



| 螺纹 Thread | 型号/Type | 订货号 /Part Number |
|------------------------------|--------------|------------------|
| | G6B-AG-LB | |
| 带保护盖/With protection cover | | |
| | G6B-AD-LB | |
| 带金属保护盖/With protection cover | | |
| | G6B-AD-LB-LA | |



G6B带单扣外壳 / G6B with 1 lever on the hoods/housings



底部外壳安装开孔尺寸/Housing mounting dimensions PAGE/390

表面粉末镀层, RAL 7037 / Powder-coated, RAL 7037

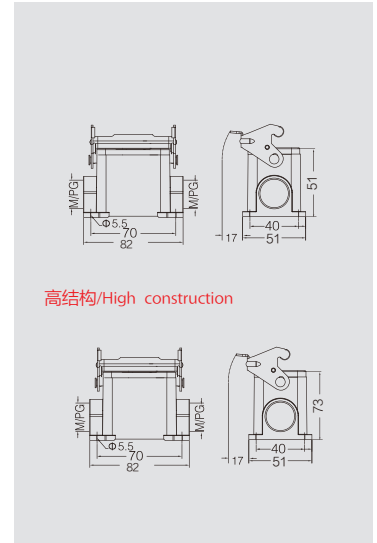
防护等级 Degree of protection : IP65

下壳底座 / Housings

外壳底座: 表面安装
Surface mounted: Side entry



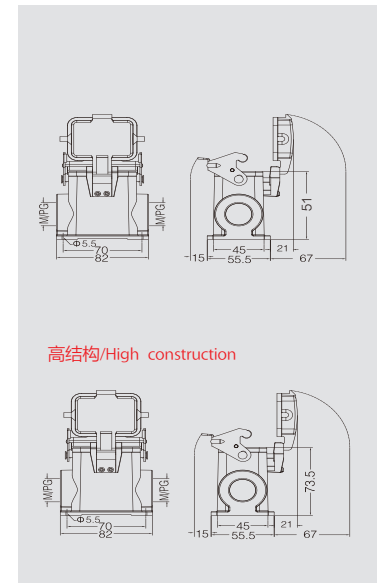
| 螺纹 Thread | 型号/Type | 订货号 /Part Number |
|------------------------------|--------------------|------------------|
| 1个进线孔1 side entry | | |
| PG13.5 | G6B-SGR-LB-PG13.5 | |
| PG16 | G6B-SGR-LB-PG16 | |
| M20 | G6B-SGR-LB-M20 | |
| M25 | G6B-SGR-LB-M25 | |
| 2个进线孔2 side entry | | |
| 2PG13.5 | G6B-SGR-LB-2PG13.5 | |
| 2PG16 | G6B-SGR-LB-2PG16 | |
| 2M20 | G6B-SGR-LB-2M20 | |
| 2M25 | G6B-SGR-LB-2M25 | |
| 高结构/High construction | | |
| PG21 | G6B-SGRH-LB-PG21 | |
| PG29 | G6B-SGRH-LB-PG29 | |
| M32 | G6B-SGRH-LB-M32 | |
| 2个进线孔2 side entry | | |
| 2PG21 | G6B-SGRH-LB-2PG21 | |
| 2PG29 | G6B-SGRH-LB-2PG29 | |
| 2M32 | G6B-SGRH-LB-2M32 | |



外壳底座: 表面安装
Surface mounted: Side entry



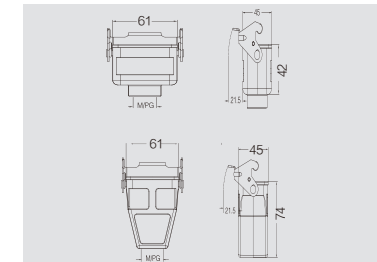
| 螺纹 Thread | 型号/Type | 订货号 /Part Number |
|-----------------------------------|--------------------|------------------|
| 带保护盖/With protection cover | | |
| 1个进线孔1 side entry | | |
| PG13.5 | G6B-SDR-LB-PG13.5 | |
| PG16 | G6B-SDR-LB-PG16 | |
| M20 | G6B-SDR-LB-M20 | |
| M25 | G6B-SDR-LB-M25 | |
| 2个进线孔2 side entry | | |
| PG13.5 | G6B-SDR-LB-2PG13.5 | |
| PG16 | G6B-SDR-LB-2PG16 | |
| M20 | G6B-SDR-LB-2M20 | |
| M25 | G6B-SDR-LB-2M25 | |
| 高结构/High construction | | |
| PG21 | G6B-SDRH-LB-PG21 | |
| PG29 | G6B-SDRH-LB-PG29 | |
| M32 | G6B-SDRH-LB-M32 | |
| 2个进线孔2 side entry | | |
| 2PG21 | G6B-SDRH-LB-2PG21 | |
| 2PG29 | G6B-SDRH-LB-2PG29 | |
| 2M32 | G6B-SDRH-LB-2M32 | |



电缆对接外壳 Cable-to-cable hood



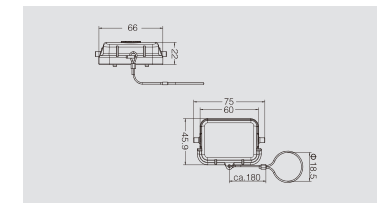
| 螺纹 Thread | 型号/Type | 订货号 /Part Number |
|------------------------------|------------------|------------------|
| PG16 | G6B-TBF-LB-PG16 | |
| M20 | G6B-TBF-LB-M20 | |
| 高结构/High construction | | |
| PG16 | G6B-TBFH-LB-PG16 | |
| PG29 | G6B-TBFH-LB-PG29 | |
| M25 | G6B-TBFH-LB-M25 | |
| M32 | G6B-TBFH-LB-M32 | |



底座保护盖 Housing protection cover



| 螺纹 Thread | 型号/Type | 订货号 /Part Number |
|------------------------------|--------------|------------------|
| | G6B-KDB | |
| 金属盖/用于上壳 For hoods | | |
| | G6B-KDB-LA-1 | |
| 金属盖/用于下壳 For housings | | |
| | G6B-KDB-LA-2 | |





G6B耐腐蚀单扣外壳 /G6B with 1lever on the hoods/housings

底部外壳安装开孔尺寸/Housing mounting dimensions PAGE/390
 防护等级 Degree of protection : IP65

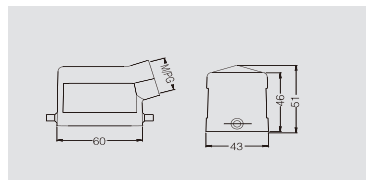
表面粉末镀层, RAL 9005 / Powder-coated,RAL 9005

上壳 / Hoods

侧面进线 Side entry



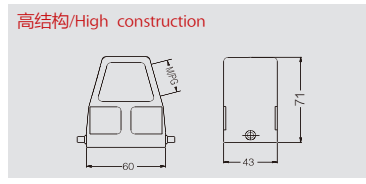
| 螺纹 Thread | 型号/Type | 订货号 /Part Number |
|-----------|---------------------|------------------|
| PG13.5 | G6B-TS-RO-M- PG13.5 | |
| PG16 | G6B-TS-RO-M-PG16 | |
| M20 | G6B-TS-RO-M-M20 | |



侧面进线 Side entry



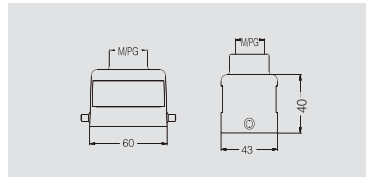
| 螺纹 Thread | 型号/Type | 订货号 /Part Number |
|-----------|------------------------------|------------------|
| | 高结构/High construction | |
| M25 | G6B-TSH-RO-M-M25 | |
| M32 | G6B-TSH-RO-M-M32 | |



顶部进线 Top entry



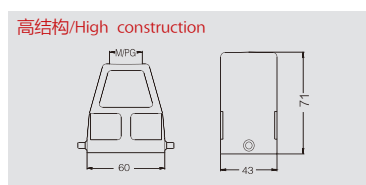
| 螺纹 Thread | 型号/Type | 订货号 /Part Number |
|-----------|--------------------|------------------|
| PG13.5 | G6B-TG-RO-M-PG13.5 | |
| PG16 | G6B-TG-RO-M-PG16 | |
| M20 | G6B-TG-RO-M- M20 | |



顶部进线 Top entry



| 螺纹 Thread | 型号/Type | 订货号 /Part Number |
|-----------|-------------------|------------------|
| PG21 | G6B-TGH-RO-M-PG21 | |
| PG29 | G6B-TGH-RO-M-PG29 | |
| M25 | G6B-TGH-RO-M-M25 | |
| M32 | G6B-TGH-RO-M-M32 | |

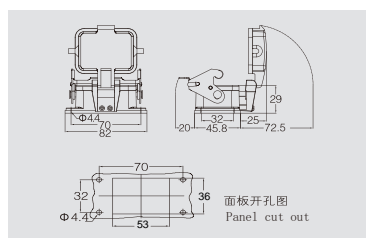


下壳底座 / Housings

外壳底座: 开孔安装 Bulkhead mounted housing



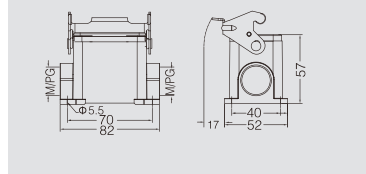
| 螺纹 Thread | 型号/Type | 订货号 /Part Number |
|-----------|------------------------------------|------------------|
| | G6B-AG-LB-M | |
| | 带保护盖/With protection cover | |
| | G6B-AD-LB-M | |
| | 带金属保护盖With protection cover | |
| | G6B-AD-LB-LA-M | |



外壳底座: 表面安装 Surface mounted: Side entry



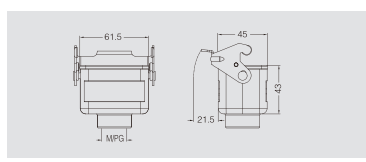
| 螺纹 Thread | 型号/Type | 订货号 /Part Number |
|-----------|--------------------|------------------|
| | 2个进线孔2 side entry | |
| 2PG16 | G6B-SGR-LB-M-2PG16 | |
| 2M20 | G6B-SGR-LB-M-2M20 | |



电缆对接外壳 Cable-to-cable hood



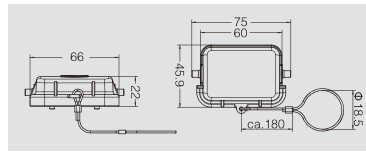
| 螺纹 Thread | 型号/Type | 订货号 /Part Number |
|-----------|-------------------|------------------|
| PG13.5 | G6B-TBF-LB-M-PG16 | |



底座保护盖 Housing protection cover



| 螺纹 Thread | 型号/Type | 订货号 /Part Number |
|-----------|-----------------------------------|------------------|
| | 金属保护盖With protection cover | |
| | G6B-KDT-LA-M | |



GE-010接插体 /GE-010 inserts



芯件适配用G10B外壳
nserts suit for G10B hoods/housing

10+

直插压接/ straight crimping

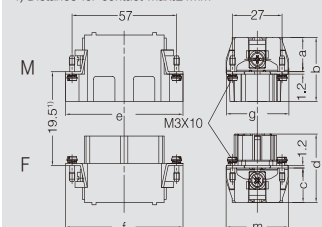
500V max. 16A



| 插芯/Inserts | 型号/Type | 订货号/Part Number |
|------------|----------------|-----------------|
| 公 Male | GE-010-MZ | |
| 母 Female | GE-010-FZ | |
| 公 Male | GE-010-MZN(尼龙) | |
| 母 Female | GE-010-FZN(尼龙) | |

1) 接插体之间的最大距离21mm

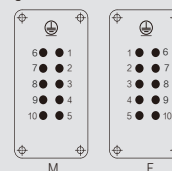
1) Distance for contact max.21mm



| | a | b | e | g | c | d | f | m |
|-------|------|------|----|------|------|------|------|----|
| MZ/FZ | 17.4 | 34.5 | 64 | 33.8 | 17.2 | 36.8 | 64.5 | 34 |

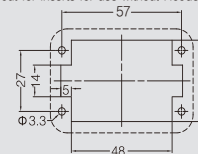
接插针排序

Contacts arrangement view from termination side



面板安装开孔图

Panel cut out for inserts for use without Hoods/housings



管形预绝缘端头

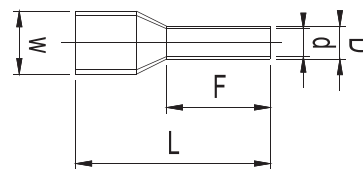


EV___

极限工作温度:105°C, Ui: 300V

端头材质: 紫铜管

绝缘材料: 乙烯基



| 型号 | 订货号 | 包装数 | 导线截面 (mm ²) | 预绝缘端头色标 | 尺寸(mm) | | | | |
|-----------|---------|------|-------------------------|---------|--------|------|-----|-----|-----|
| | | | | | F | L | D | d | W |
| EV0.5-10 | 5570103 | 1000 | 0.5 | (WH) | 10.0 | 16.0 | 1.3 | 1.0 | 2.6 |
| EV0.75-10 | 5570107 | 1000 | 0.75 | (BU) | 10.0 | 16.4 | 1.5 | 1.2 | 2.8 |
| EV1-10 | 5570111 | 1000 | 1.0 | (RD) | 10.0 | 16.4 | 1.7 | 1.4 | 3 |
| EV1.5-10 | 5570114 | 1000 | 1.5 | (BK) | 10.0 | 16.4 | 2.0 | 1.7 | 3.5 |
| EV2.5-10 | 5570118 | 1000 | 2.5 | (GY) | 10.0 | 17.4 | 2.6 | 2.2 | 4 |



| 型号 | 压接范围 | 订货号 |
|--------|--------------------------------------|-----------|
| CE-501 | 0.08~6.0mm ² (可调节压接范围) | 3 954 100 |



| 型号 | 压接范围 | 订货号 |
|--------|------------------------|-----------|
| CE-502 | 0.5~6.0mm ² | 3 954 101 |



G10B带双扣外壳 / G10B with 2 lever on the hoods/housings

底部外壳安装开孔尺寸/Housing mounting dimensions PAGE/390

表面粉末镀层, RAL 7037 / Powder-coated, RAL 7037

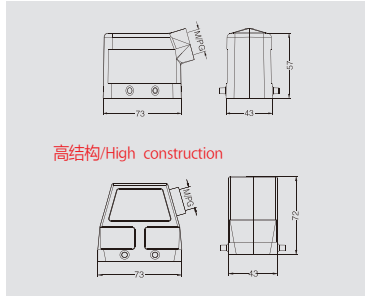
防护等级 Degree of protection : IP65

上壳 / Hoods

侧面进线 Side entry



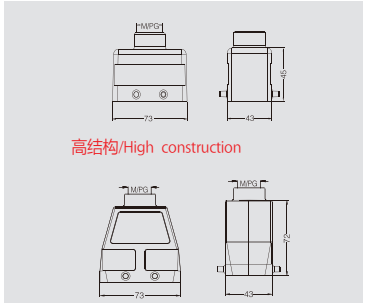
| 螺纹 Thread | 型号/Type | 订货号 /Part Number |
|-----------------------|---------------|------------------|
| PG16 | G10B-TS-PG16 | |
| M20 | G10B-TS-M20 | |
| M25 | G10B-TS-M25 | |
| 高结构/High construction | | |
| PG21 | G10B-TSH-PG21 | |
| PG29 | G10B-TSH-PG29 | |
| M25 | G10B-TSH-M25 | |
| M32 | G10B-TSH-M32 | |



顶部进线 Top entry



| 螺纹 Thread | 型号/Type | 订货号 /Part Number |
|-----------------------|---------------|------------------|
| PG16 | G10B-TG-PG16 | |
| M20 | G10B-TG-M20 | |
| M25 | G10B-TG-M25 | |
| 高结构/High construction | | |
| PG21 | G10B-TGH-PG21 | |
| PG29 | G10B-TGH-PG29 | |
| M25 | G10B-TG H-M25 | |
| M32 | G10B-TGH-M32 | |

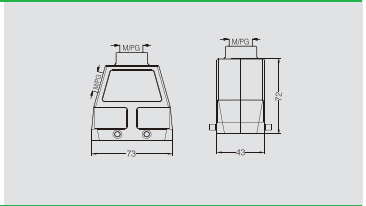


上壳侧出线/顶出线 Hoods,side&top entry,high construction



我司可提供顶部、侧面同时出线的非标品
We can provide non-standard products with both top&side entry

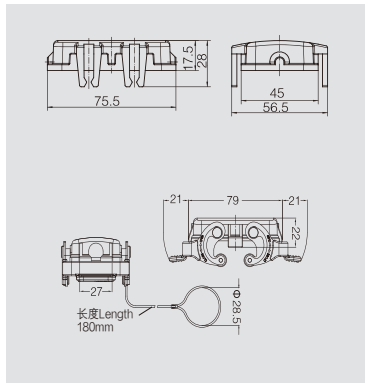
型号为:G10-TSH/TGH-PG/M 如有需要请与我司联系



上壳保护盖 Protection covers for hoods



| 螺纹 Thread | 型号/Type | 订货号 /Part Number |
|-------------------------------|----------------|------------------|
| | G10B-KDT | |
| 带金属保护盖 /With protection cover | | |
| 金属盖/用于上壳 For hoods | | |
| | G10B-KD T-LA-1 | |
| 金属盖/用于下壳 For housings | | |
| | G10B-KD T-LA-2 | |

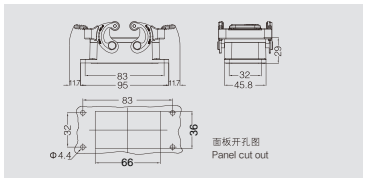


下壳底座 / Housings

外壳底座: 开孔安装 Bulkheadmounted



| 螺纹 Thread | 型号/Type | 订货号 /Part Number |
|-----------|---------|------------------|
| | G10B-AG | |



G10B带双扣外壳 / G10B with 2 lever on the hoods/housings



底部外壳安装开孔尺寸/Housing mounting dimensions PAGE/390

表面粉末镀层, RAL 7037 / Powder-coated, RAL 7037

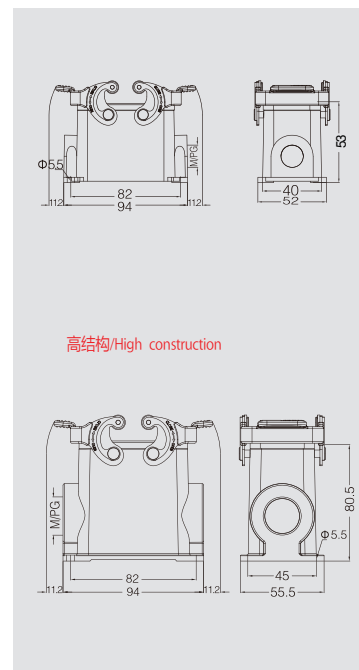
防护等级 Degree of protection : IP65

下壳底座 / Housings

外壳底座: 表面安装
Surface mounted: Side entry



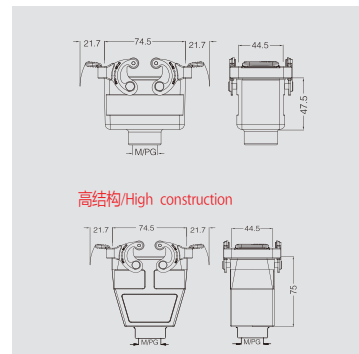
| 螺纹 Thread | 型号/Type | 订货号 /Part Number |
|-----------------------|-----------------|------------------|
| 1个进线孔 1 side entry | | |
| PG16 | G10B-SGR-PG16 | |
| M20 | G10B-SGR-M20 | |
| M25 | G10B-SGR-M25 | |
| 2个进线孔 2 side entry | | |
| PG16 | G10B-SGR-2PG16 | |
| M20 | G10B-SGR-2M20 | |
| M25 | G10B-SGR-2M25 | |
| 高结构/High construction | | |
| 1个进线孔 1 side entry | | |
| PG21 | G10B-SGRH-PG21 | |
| PG29 | G10B-SGRH-PG29 | |
| M32 | G10B-SGRH-M32 | |
| 2个进线孔 2 side entry | | |
| PG21 | G10B-SGRH-2PG21 | |
| PG29 | G10B-SGRH-2PG29 | |
| M32 | G10B-SGRH-2M32 | |



电缆对接下壳 Cable-to-cable hood



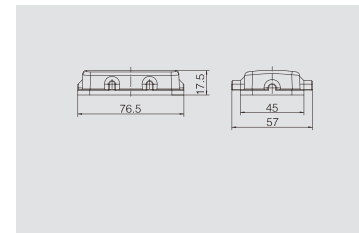
| 螺纹 Thread | 型号/Type | 订货号 /Part Number |
|-----------------------|----------------|------------------|
| PG16 | G10B-TBF-PG16 | |
| M20 | G10B-TBF-M20 | |
| M25 | G10B-TBF-M25 | |
| 高结构/High construction | | |
| PG21 | G10B-TBFH-PG21 | |
| PG29 | G10B-TBFH-PG29 | |
| M25 | G10B-TBFH-M25 | |
| M32 | G10B-TBFH-M32 | |



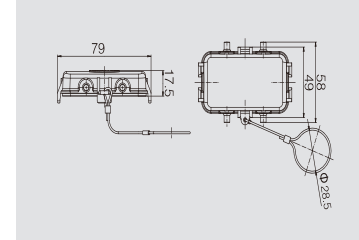
底座保护盖 Housing protection cover



| 螺纹 Thread | 型号/Type | 订货号 /Part Number |
|-----------|----------|------------------|
| | G10B-KDB | |



| | | |
|-------------------------------|--------------------|--|
| 带金属保护盖 /With protection cover | | |
| --- | 金属盖/用于上壳 For hoods | |
| | G10B-KDB-LA-1 | |
| 金属盖/用于下壳 For housings | | |
| | G10B-KDB-LA-2 | |





G10B带双扣外壳 / G10B with 2 lever on the hoods/housings

底部外壳安装开孔尺寸/Housing mounting dimensions PAGE/390

表面粉末镀层, RAL 7037 / Powder-coated, RAL 7037

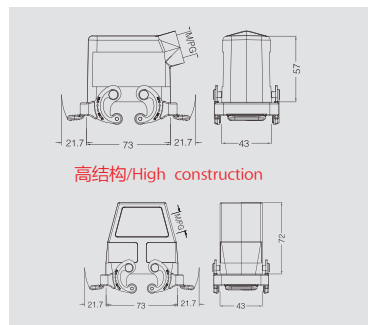
防护等级 Degree of protection : IP65

上壳 / Hoods

侧出带双扣上壳
Side entry housing with two levers



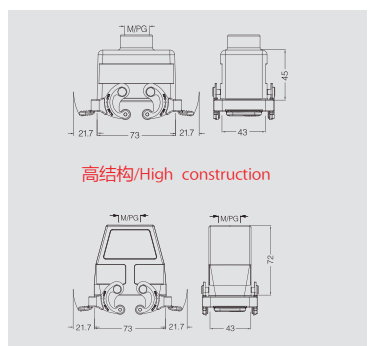
| 螺纹 Thread | 型号/Type | 订货号 /Part Number |
|------------------------------|----------------|------------------|
| PG16 | G10B-TSB-PG16 | |
| M20 | G10B-TSB-M20 | |
| M25 | G10B-TSB-M25 | |
| 高结构/High construction | | |
| PG21 | G10B-TSBH-PG21 | |
| PG29 | G10B-TSBH-PG29 | |
| M25 | G10B-TSBH-M25 | |
| M32 | G10B-TSBH-M32 | |



顶出带双扣上壳 Top entry housing with two levers



| 螺纹 Thread | 型号/Type | 订货号 /Part Number |
|------------------------------|----------------|------------------|
| PG16 | G10B-TGB-PG16 | |
| M20 | G10B-TGB-M20 | |
| M25 | G10B-TGB-M25 | |
| 高结构/High construction | | |
| PG21 | G10B-TGBH-PG21 | |
| PG29 | G10B-TGBH-PG29 | |
| M25 | G10B-TGBH-M25 | |
| M32 | G10B-TGBH-M32 | |

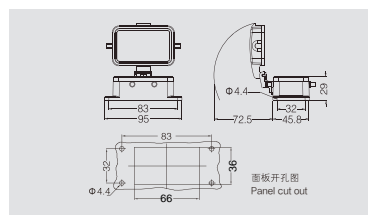


下壳底座 / Housings

带盖开孔底座 Bulkhead mounting



| 螺纹 Thread | 型号/Type | 订货号 /Part Number |
|-----------------------------------|------------|------------------|
| | G10B-AG-BO | |
| 带保护盖/with protection cover | | |
| | G10B-AD-BO | |

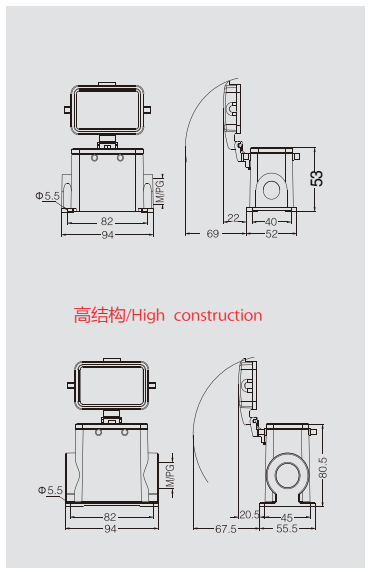


下壳底座 / Housings

带盖表面安装底座 Surface mounting



| 螺纹 Thread | 型号/Type | 订货号 /Part Number |
|-----------------------------------|--------------------|------------------|
| 带保护盖/with protection cover | | |
| 1个进线孔 1 side entry | | |
| PG16 | G10B-SDR-BO-PG16 | |
| M20 | G10B-SDR-BO-M20 | |
| M25 | G10B-SDR-BO-M25 | |
| 2个进线孔 2 side entry | | |
| PG16 | G10B-SDR-BO-2PG16 | |
| M20 | G10B-SDR-BO-2M20 | |
| M25 | G10B-SDR-BO-2M25 | |
| 高结构/High construction | | |
| 1个进线孔 1 side entry | | |
| PG21 | G10B-SDRH-BO-PG21 | |
| PG29 | G10B-SDRH-BO-PG29 | |
| M32 | G10B-SDRH-BO-M32 | |
| 2个进线孔 2 side entry | | |
| PG21 | G10B-SDRH-BO-2PG21 | |
| PG29 | G10B-SDRH-BO-2PG29 | |
| M32 | G10B-SDRH-BO-2M32 | |



G10B带单扣外壳 / G10B with 1 lever on the hoods/housings



底部外壳安装开孔尺寸/Housing mounting dimensions PAGE/390

表面粉末镀层, RAL 7037 / Powder-coated, RAL 7037

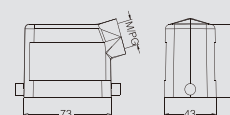
防护等级 Degree of protection : IP65

上壳 / Hoods

侧面进线 Side entry



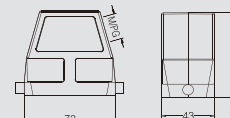
| 螺纹 Thread | 型号/Type | 订货号 /Part Number |
|-----------|-----------------|------------------|
| PG16 | G10B-TS-RO-PG16 | |
| M20 | G10B-TS-RO-M20 | |
| M25 | G10B-TS-RO-M25 | |



高结构/High construction



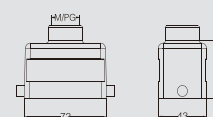
| 高结构/High construction | | |
|-----------------------|------------------|--|
| PG21 | G10B-TSH-RO-PG21 | |
| PG29 | G10B-TSH-RO-PG29 | |
| M25 | G10B-TSH-RO-M25 | |
| M32 | G10B-TSH-RO-M32 | |



顶部进线 Top entry



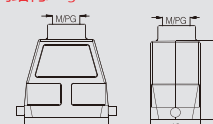
| 螺纹 Thread | 型号/Type | 订货号 /Part Number |
|-----------|-----------------|------------------|
| PG16 | G10B-TG-RO-PG16 | |
| M20 | G10B-TG-RO-M20 | |
| M25 | G10B-TG-RO-M25 | |



高结构/High construction



| 高结构/High construction | | |
|-----------------------|------------------|--|
| PG21 | G10B-TGH-RO-PG21 | |
| PG29 | G10B-TGH-RO-PG29 | |
| M25 | G10B-TGH-RO-M25 | |
| M32 | G10B-TGH-RO-M32 | |

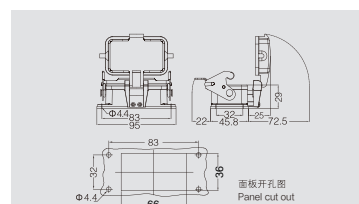


下壳底座 / Housings

外壳底座: 开孔安装 Bulkhead mounted



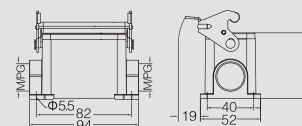
| 螺纹 Thread | 型号/Type | 订货号 /Part Number |
|-----------|----------------------------|------------------|
| | G10B-AG-LB | |
| | 带保护盖/with protection cover | |
| | G10B-AD-LB | |
| | 上壳保护盖/protection cover | |
| | G10B-KDT-LB | |



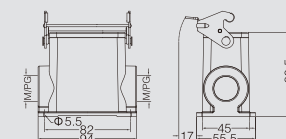
外壳底座: 表面安装
Surface mounted: Side entry



| 螺纹 Thread | 型号/Type | 订货号 /Part Number |
|-------------------------|--------------------|------------------|
| 1个进线孔1 side entry | | |
| PG16 | G10B-SGR-LB-PG16 | |
| M20 | G10B-SGR-LB-M20 | |
| M25 | G10B-SGR-LB-M25 | |
| 2个进线孔2 side entry | | |
| PG16 | G10B-SGR-LB-2PG16 | |
| M20 | G10B-SGR-LB-2M20 | |
| M25 | G10B-SGR-LB-2M25 | |
| 高结构 / High construction | | |
| 1个进线孔1 side entry | | |
| PG21 | G10B-SGRH-LB-PG21 | |
| PG29 | G10B-SGRH-LB-PG29 | |
| M32 | G10B-SGRH-LB-M32 | |
| 2个进线孔2 side entry | | |
| PG21 | G10B-SGRH-LB-2PG21 | |
| PG29 | G10B-SGRH-LB-2PG29 | |
| M32 | G10B-SGRH-LB-2M32 | |



高结构 / High construction



G10B带单扣外壳 / G10B with 1 lever on the hoods/housings



底部外壳安装开孔尺寸/Housing mounting dimensions PAGE/390

表面粉末镀层, RAL 7037 / Powder-coated, RAL 7037

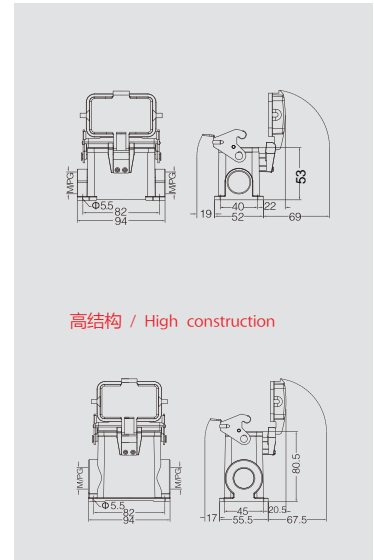
防护等级 Degree of protection : IP65

下壳底座 / Housings

带保护盖表面安装
Surface mounted with protection cover



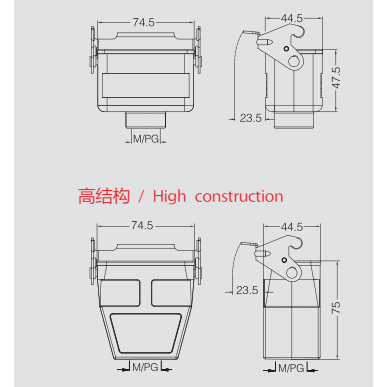
| 螺纹 Thread | 型号/Type | 订货号 /Part Number |
|------------------------------------|--------------------|------------------|
| 带保护盖 /with protection cover | | |
| 1个进线孔1 side entry | | |
| PG16 | G10B-SDR-LB-PG16 | |
| M20 | G10B-SDR-LB-M20 | |
| M25 | G10B-SDR-LB-M25 | |
| 2个进线孔2 side entry | | |
| PG16 | G10B-SDR-LB-2PG16 | |
| M20 | G10B-SDR-LB-2M20 | |
| M25 | G10B-SDR-LB-2M25 | |
| 高结构 / High construction | | |
| 1个进线孔1 side entry | | |
| PG21 | G10B-SDRH-LB-PG21 | |
| PG29 | G10B-SDRH-LB-PG29 | |
| M32 | G10B-SDRH-LB-M32 | |
| 2个进线孔2 side entry | | |
| PG21 | G10B-SDRH-LB-2PG21 | |
| PG29 | G10B-SDRH-LB-2PG29 | |
| M32 | G10B-SDRH-LB-2M32 | |



电缆对接下壳 Cable-to-cable hood



| 螺纹 Thread | 型号/Type | 订货号 /Part Number |
|--------------------------------|-------------------|------------------|
| PG16 | G10B-TBF-LB-PG16 | |
| M20 | G10B-TBF-LB-M20 | |
| M25 | G10B-TBF-LB-M25 | |
| 高结构 / High construction | | |
| PG21 | G10B-TBFH-LB-PG21 | |
| PG29 | G10B-TBFH-LB-PG29 | |
| M25 | G10B-TBFH-LB-M25 | |
| M32 | G10B-TBFH-LB-M32 | |



G10B 耐腐蚀外壳 Metal Hoods & Housings For higher environmental requirements



底部外壳安装开孔尺寸/Housing mounting dimensions PAGE/390

表面粉末镀层, RAL 9005 / Powder-coated, RAL 9005

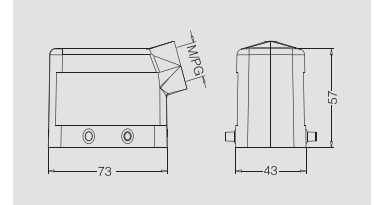
防护等级 Degree of protection : IP65

上壳 / Hoods

侧面进线 Side entry



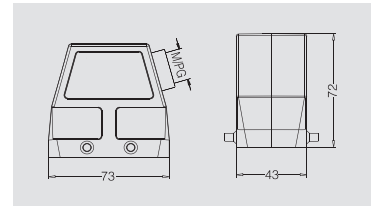
| 螺纹 Thread | 型号/Type | 订货号 /Part Number |
|-----------|----------------|------------------|
| M20 | G10B-TS-M-M20 | |
| PG16 | G10B-TS-M-PG16 | |



侧出线高结构 side entry, high construction



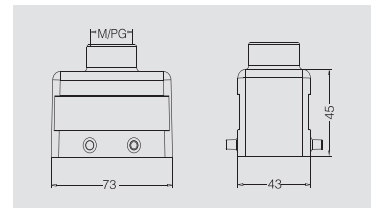
| 螺纹 Thread | 型号/Type | 订货号 /Part Number |
|-----------|----------------|------------------|
| M25 | G10B-TSH-M-M25 | |



顶部进线 Top entry



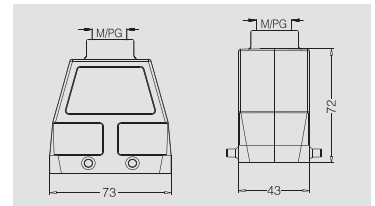
| 螺纹 Thread | 型号/Type | 订货号 /Part Number |
|-----------|----------------|------------------|
| M20 | G10B-TG-M-M20 | |
| PG16 | G10B-TG-M-PG16 | |



顶出线高结构 top entry, high construction



| 螺纹 Thread | 型号/Type | 订货号 /Part Number |
|-----------|----------------|------------------|
| M32 | G10B-TGH-M-M32 | |

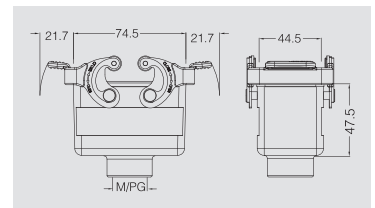


下壳底座 / Housings

电缆对接下壳 Cable-to-cable hood



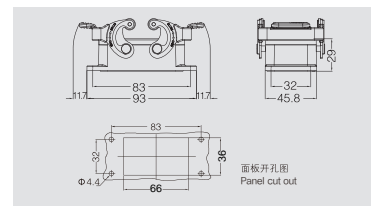
| 螺纹 Thread | 型号/Type | 订货号 /Part Number |
|-----------|-----------------|------------------|
| PG16 | G10B-TBF-M-PG16 | |



外壳底座: 开孔安装 Bulkhead mounted



| 螺纹 Thread | 型号/Type | 订货号 /Part Number |
|-----------|-----------|------------------|
| --- | G10B-AG-M | |



G10B 耐腐蚀外壳 Metal Hoods & Housings For higher environmental requirements



底部外壳安装开孔尺寸/Housing mounting dimensions PAGE/390

表面粉末镀层, RAL 9005 / Powder-coated, RAL 9005

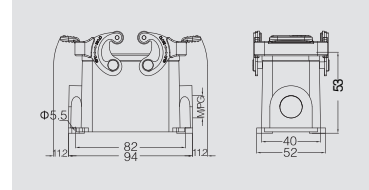
防护等级 Degree of protection : IP65

下壳底座 / Housings

外壳底座: 表面安装 Surface mounted: Side entry



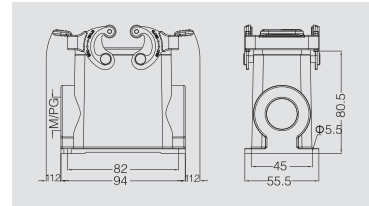
| 螺纹 Thread | 型号/Type | 订货号 /Part Number |
|-----------|-----------------|------------------|
| PG16 | G10B-SGR-M-PG16 | |
| M20 | G10B-SGR-M-M20 | |



外壳底座: 表面安装 Surface mounted: Side entry



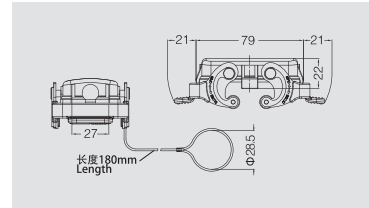
| 螺纹 Thread | 型号/Type | 订货号 /Part Number |
|-----------|-----------------|------------------|
| M32 | G10B-SGRH-M-M32 | |



上壳保护盖 Protection covers for hoods



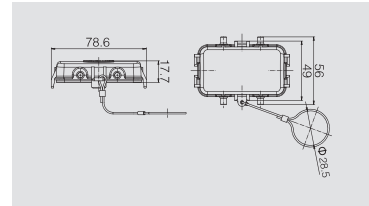
| 螺纹 Thread | 型号/Type | 订货号 /Part Number |
|-----------|-----------------------|------------------|
| | 金属盖/用于上壳 For hoods | |
| | G10B-KDT-LA-M-1 | |
| | 金属盖/用于下壳 For housings | |
| | G10B-KDT-LA-M-2 | |



底座保护盖 Housing protection cover



| 螺纹 Thread | 型号/Type | 订货号 /Part Number |
|-----------|-----------------------|------------------|
| --- | 金属盖/用于上壳 For hoods | |
| | G10B-KDB-LA-M-1 | |
| | 金属盖/用于下壳 For housings | |
| | G10B-KDB-LA-M-2 | |

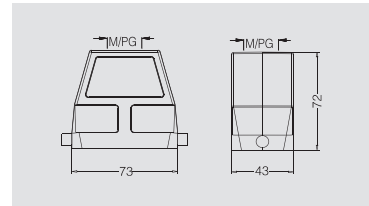


上壳 / Hoods 防护等级 Degree of protection : IP65 单扣

顶部进线 Top entry



| 螺纹 Thread | 型号/Type | 订货号 /Part Number |
|-----------|-------------------|------------------|
| M32 | G10B-TGH-RO-M-M32 | |

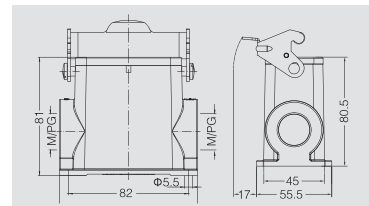


下壳底座 / Housings

外壳底座: 表面安装 Surface mounted: Side entry



| 螺纹 Thread | 型号/Type | 订货号 /Part Number |
|-----------|--------------------|------------------|
| M25 | G10B-SGRH-LB-M-M25 | |



GE-016接插体 / GE-016 inserts



芯件适配用G16B外壳
Inserts suit for G16B hoods/housing

16+

直插压接/ straight crimping

500V max.16A



| 插芯/Inserts | 型号/Type | 订货号/Part Number |
|------------|----------------|-----------------|
| 公 Male | GE-016-MZ | |
| 母 Female | GE-016-FZ | |
| 公 Male | GE-016-MZN(尼龙) | |
| 母 Female | GE-016-FZN(尼龙) | |

1) 接插体之间的最大距离21mm
1) Distance for contact max.21mm

| | a | b | e | g | c | d | f | m |
|-------|------|------|------|----|------|------|------|----|
| MZ/FZ | 17.4 | 34.5 | 84.5 | 34 | 17.2 | 36.8 | 84.5 | 34 |

接插针排序
Contacts arrangement view from termination side

面板安装开孔图
Panel cut out for inserts for use without Hoods/housings

管形预绝缘端头

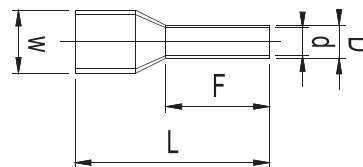


EV_ _ _

极限工作温度:105℃, Ui: 300V

端头材质: 紫铜管

绝缘材料: 乙烯基



| 型号 | 订货号 | 包装数 | 导线截面 (mm ²) | 预绝缘端头色标 | 尺寸(mm) | | | | |
|-----------|---------|------|-------------------------|---------|--------|------|-----|-----|-----|
| | | | | | F | L | D | d | W |
| EV0.5-10 | 5570103 | 1000 | 0.5 | (WH) | 10.0 | 16.0 | 1.3 | 1.0 | 2.6 |
| EV0.75-10 | 5570107 | 1000 | 0.75 | (BU) | 10.0 | 16.4 | 1.5 | 1.2 | 2.8 |
| EV1-10 | 5570111 | 1000 | 1.0 | (RD) | 10.0 | 16.4 | 1.7 | 1.4 | 3 |
| EV1.5-10 | 5570114 | 1000 | 1.5 | (BK) | 10.0 | 16.4 | 2.0 | 1.7 | 3.5 |
| EV2.5-10 | 5570118 | 1000 | 2.5 | (GY) | 10.0 | 17.4 | 2.6 | 2.2 | 4 |



| 型号 | 压接范围 | 订货号 |
|--------|--------------------------------------|-----------|
| CE-501 | 0.08~6.0mm ² (可调节压接范围) | 3 954 100 |



| 型号 | 压接范围 | 订货号 |
|--------|------------------------|-----------|
| CE-502 | 0.5~6.0mm ² | 3 954 101 |

G16B 双扣外壳 /G16B with 2 lever on the hoods/housings

底部外壳安装开孔尺寸/Housing mounting dimensions PAGE/390

表面粉末镀层, RAL 7037 / Powder-coated, RAL 7037

防护等级 Degree of protection : IP65

上壳 / Hoods

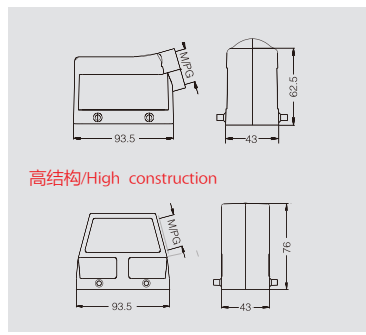
侧面进线 Side entry



| 螺纹 Thread | 型号/Type | 订货号 /Part Number |
|-----------|--------------|------------------|
| PG21 | G16B-TS-PG21 | |
| M25 | G16B-TS-M25 | |
| M32 | G16B-TS-M32 | |



| 高结构/High construction | | |
|-----------------------|---------------|--|
| PG21 | G16B-TSH-PG21 | |
| PG29 | G16B-TSH-PG29 | |
| M25 | G16B-TSH-M25 | |
| M32 | G16B-TSH-M32 | |
| M40 | G16B-TSH-M40 | |



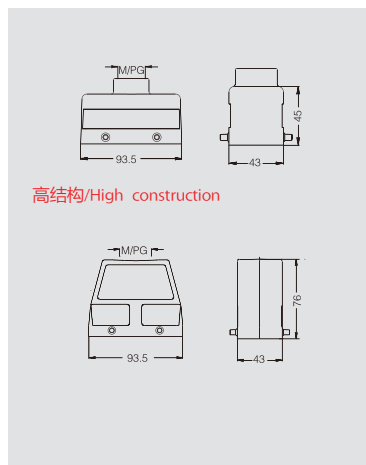
顶部进线 Top entry



| 螺纹 Thread | 型号/Type | 订货号 /Part Number |
|-----------|--------------|------------------|
| PG21 | G16B-TG-PG21 | |
| M25 | G16B-TG-M25 | |
| M32 | G16B-TG-M32 | |



| 高结构/High construction | | |
|-----------------------|---------------|--|
| PG21 | G16B-TGH-PG21 | |
| PG29 | G16B-TGH-PG29 | |
| M25 | G16B-TGH-M25 | |
| M32 | G16B-TGH-M32 | |
| M40 | G16B-TGH-M40 | |

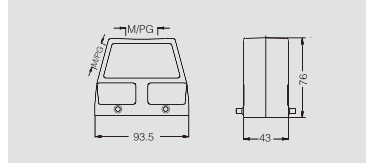


上壳侧出线/顶出线 Hoods, side&top entry, high construction



我司可提供顶部、侧面同时出线的非标品
We can provide non-standard products with both top&side entry

型号为:G16B-TSH/TGH-PG/M 如有需要请与我司联系



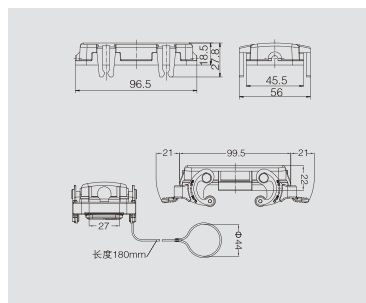
上壳保护盖 Protection covers for hoods



| 螺纹 Thread | 型号/Type | 订货号 /Part Number |
|-----------|----------|------------------|
| | G16B-KDT | |



| | | |
|------------------------------|----------------|--|
| 带金属保护盖/With protection cover | | |
| 金属盖/用于上壳 For hoods | | |
| | G16B-KD T-LA-1 | |
| 金属盖/用于下壳 For housings | | |
| | G16B-KD T-LA-2 | |

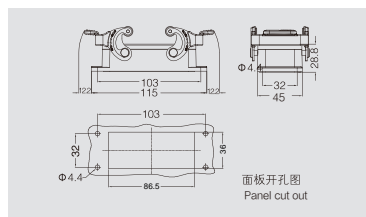


下壳底座 / Housings

外壳底座:开孔安装 Bulkhead mounted



| 螺纹 Thread | 型号/Type | 订货号 /Part Number |
|-----------|---------|------------------|
| | G16B-AG | |



G16B 双扣外壳 /G16B with 2 lever on the hoods/housings



底部外壳安装开孔尺寸/Housing mounting dimensions PAGE/390

表面粉末镀层, RAL 7037 / Powder-coated, RAL 7037

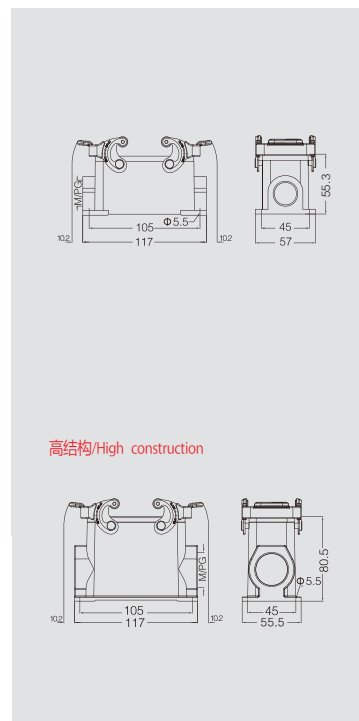
防护等级 Degree of protection : IP65

下壳底座 / Housings

外壳底座: 表面安装
Surface mounted: Side entry



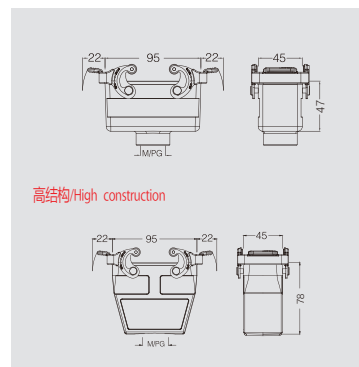
| 螺纹 Thread | 型号/Type | 订货号 /Part Number |
|-----------------------|-----------------|------------------|
| 1个进线孔 1 side entry | | |
| PG21 | G16B-SGR-PG21 | |
| M25 | G16B-SGR-M25 | |
| 2个进线孔 2 side entry | | |
| PG21 | G16B-SGR-2PG21 | |
| M25 | G16B-SGR-2M25 | |
| 高结构/High construction | | |
| PG29 | G16B-SGRH-PG29 | |
| M32 | G16B-SGRH-M32 | |
| M40 | G16B-SGRH-M40 | |
| 2个进线孔 2 side entry | | |
| PG29 | G16B-SGRH-2PG29 | |
| M32 | G16B-SGRH-2M32 | |
| M40 | G16B-SGRH-2M40 | |



电缆对接下壳 Cable-to-cable hood



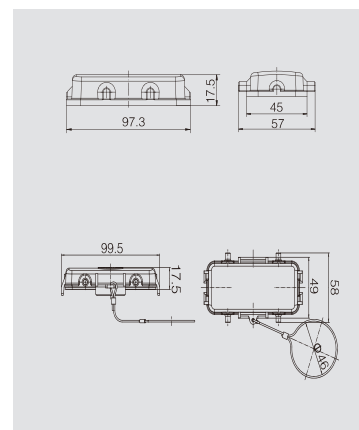
| 螺纹 Thread | 型号/Type | 订货号 /Part Number |
|-----------------------|----------------|------------------|
| PG21 | G16B-TBF-PG21 | |
| M25 | G16B-TBF-M25 | |
| M32 | G16B-TBF-M32 | |
| 高结构/High construction | | |
| PG21 | G16B-TBFH-PG21 | |
| PG29 | G16B-TBFH-PG29 | |
| M25 | G16B-TBFH-M25 | |
| M32 | G16B-TBFH-M32 | |



底座保护盖 Housing protection cover



| 螺纹 Thread | 型号/Type | 订货号 /Part Number |
|------------------------------|--------------------|------------------|
| | G16B-KDB | |
| 金属保护盖 /With protection cover | | |
| --- | 金属盖/用于上壳 For hoods | |
| | G16B-KDB-LA-1 | |
| 金属盖/用于下壳 For housings | | |
| | G16B-KDB-LA-2 | |



G16B 双扣外壳 /G16B with 2 lever on the hoods/housings



底部外壳安装开孔尺寸/Housing mounting dimensions PAGE/390

表面粉末镀层, RAL 7037 / Powder-coated, RAL 7037

防护等级 Degree of protection : IP65

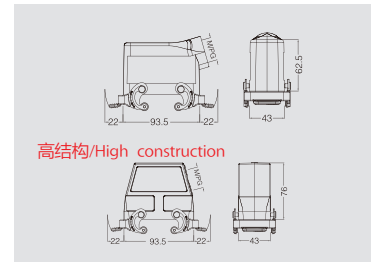
上壳 / Hoods

侧出带双扣下壳

Side entry housing with two levers



| 螺纹 Thread | 型号/Type | 订货号 /Part Number |
|------------------------------|----------------|------------------|
| PG21 | G16B-TSBH-PG21 | |
| M25 | G16B-TSBH-M25 | |
| M32 | G16B-TSBH-M32 | |
| 高结构/High construction | | |
| PG21 | G16B-TSBH-PG21 | |
| PG29 | G16B-TSBH-PG29 | |
| M25 | G16B-TSBH-M25 | |
| M32 | G16B-TSBH-M32 | |



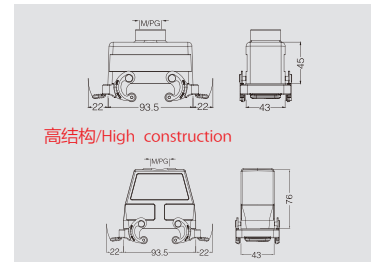
高结构/High construction

顶出带双扣下壳

Top entry housing with two levers



| 螺纹 Thread | 型号/Type | 订货号 /Part Number |
|------------------------------|----------------|------------------|
| PG21 | G16B-TGB-PG21 | |
| M25 | G16B-TGB-M25 | |
| M32 | G16B-TGB-M32 | |
| 高结构/High construction | | |
| PG21 | G16B-TGBH-PG21 | |
| PG29 | G16B-TGBH-PG29 | |
| M25 | G16B-TGBH-M25 | |
| M32 | G16B-TGBH-M32 | |



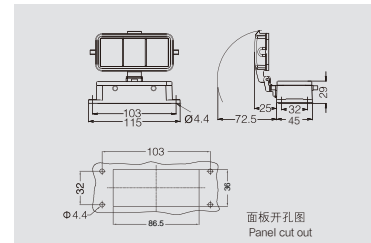
高结构/High construction

双扣带盖开孔底座

Bulkhead mounting with hoods



| 螺纹 Thread | 型号/Type | 订货号 /Part Number |
|-------------------------------------|---------------|------------------|
| | G16B-AG-BO | |
| 带保护盖/with protection cover | | |
| | G16B-AD-BO | |
| 带金属保护盖/with protection cover | | |
| | G16B-AD-AL-BO | |

面板开孔图
Panel cut out

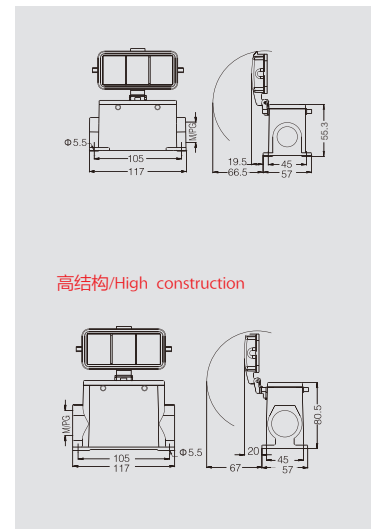
下壳底座 / Housings

双扣带盖表面安装底座

Surface mounting with hoods



| 螺纹 Thread | 型号/Type | 订货号 /Part Number |
|------------------------------|--------------------|------------------|
| 1个进线孔 1 side entry | | |
| PG21 | G16B-SDR-BO-PG21 | |
| M25 | G16B-SDR-BO-M25 | |
| 2个进线孔 2 side entry | | |
| PG21 | G16B-SDR-BO-2PG21 | |
| M25 | G16B-SDR-BO-2M25 | |
| 高结构/High construction | | |
| 1个进线孔 1 side entry | | |
| PG21 | G16B-SDRH-BO-PG21 | |
| PG29 | G16B-SDRH-BO-PG29 | |
| M32 | G16B-SDRH-BO-M32 | |
| 2个进线孔 2 side entry | | |
| PG21 | G16B-SDRH-BO-2PG21 | |
| PG29 | G16B-SDRH-BO-2PG29 | |
| M32 | G16B-SDRH-BO-2M32 | |



高结构/High construction

G16B单扣外壳 /G16B with 1 lever on the hoods/housings



底部外壳安装开孔尺寸/Housing mounting dimensions PAGE/390

表面粉末镀层, RAL 7037 / Powder-coated, RAL 7037

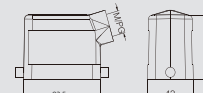
防护等级 Degree of protection : IP65

上壳 / Hoods

侧面进线 Side entry

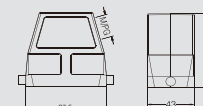


| 螺纹 Thread | 型号/Type | 订货号 /Part Number |
|-----------|-----------------|------------------|
| PG21 | G16B-TS-RO-PG21 | |
| M25 | G16B-TS-RO-M25 | |
| M32 | G16B-TS-RO-M32 | |



| 高结构/High construction | | |
|-----------------------|------------------|--|
| PG21 | G16B-TSH-RO-PG21 | |
| PG29 | G16B-TSH-RO-PG29 | |
| M25 | G16B-TSH-RO-M25 | |
| M32 | G16B-TSH-RO-M32 | |
| M40 | G16B-TSH-RO-M40 | |

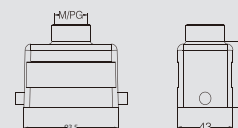
高结构/High construction



顶部进线 Top entry

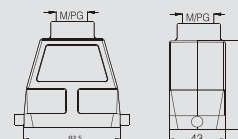


| 螺纹 Thread | 型号/Type | 订货号 /Part Number |
|-----------|-----------------|------------------|
| PG21 | G16B-TG-RO-PG21 | |
| M25 | G16B-TG-RO-M25 | |
| M32 | G16B-TG-RO-M32 | |



| 高结构/High construction | | |
|-----------------------|------------------|--|
| PG21 | G16B-TGH-RO-PG21 | |
| PG29 | G16B-TGH-RO-PG29 | |
| M25 | G16B-TGH-RO-M25 | |
| M32 | G16B-TGH-RO-M32 | |
| M40 | G16B-TGH-RO-M40 | |

高结构/High construction

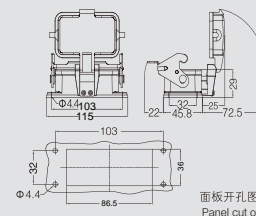


下壳底座 / Housings

外壳底座: 开孔安装 Bulkhead mounted



| 螺纹 Thread | 型号/Type | 订货号 /Part Number |
|-----------|----------------------------|------------------|
| | G16B-AG-LB | |
| | 带保护盖/with protection cover | |
| | G16B-AD-LB | |
| | 上壳保护盖/protection cover | |
| | G16B-KDT-LB | |





G16B单扣外壳 /G16B with 1 lever on the hoods/housings

底部外壳安装开孔尺寸/Housing mounting dimensions PAGE/390

表面粉末镀层, RAL 7037 / Powder-coated, RAL 7037

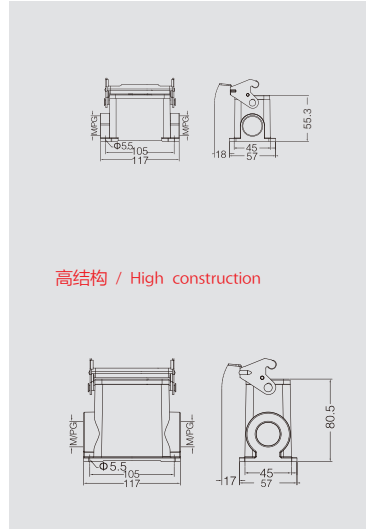
防护等级 Degree of protection : IP65

下壳底座 / Housings

外壳底座: 表面安装
Surface mounted: Side entry



| 螺纹 Thread | 型号/Type | 订货号 /Part Number |
|--------------------------------|--------------------|------------------|
| 1个进线孔1 side entry | | |
| PG21 | G16B-SGR-LB-PG21 | |
| M25 | G16B-SGR-LB-M25 | |
| 2个进线孔2 side entry | | |
| 2PG21 | G16B-SGR-LB-2PG21 | |
| 2M25 | G16B-SGR-LB-2M25 | |
| 高结构 / High construction | | |
| 1个进线孔1 side entry | | |
| PG21 | G16B-SGRH-LB-PG21 | |
| PG29 | G16B-SGRH-LB-PG29 | |
| M32 | G16B-SGRH-LB-M32 | |
| 2个进线孔2 side entry | | |
| PG21 | G16B-SGRH-LB-2PG21 | |
| PG29 | G16B-SGRH-LB-2PG29 | |
| M32 | G16B-SGRH-LB-2M32 | |

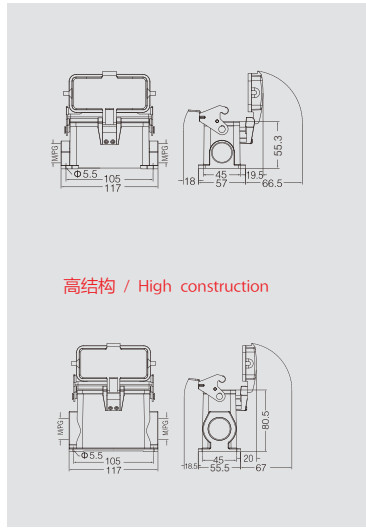


下壳底座 / Housings

带盖表面安装底座 Surface mounting



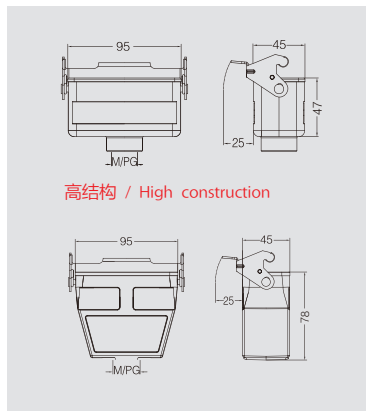
| 螺纹 Thread | 型号/Type | 订货号 /Part Number |
|--------------------------------|--------------------|------------------|
| 1个进线孔1 side entry | | |
| PG21 | G16B-SDR-LB-PG21 | |
| M25 | G16B-SDR-LB-M25 | |
| 2个进线孔2 side entry | | |
| 2PG21 | G16B-SDR-LB-2PG21 | |
| 2M25 | G16B-SDR-LB-2M25 | |
| 高结构 / High construction | | |
| 1个进线孔1 side entry | | |
| PG21 | G16B-SDRH-LB-PG21 | |
| PG29 | G16B-SDRH-LB-PG29 | |
| M32 | G16B-SDRH-LB-M32 | |
| 2个进线孔2 side entry | | |
| PG21 | G16B-SDRH-LB-2PG21 | |
| PG29 | G16B-SDRH-LB-2PG29 | |
| M32 | G16B-SDRH-LB-2M32 | |



电缆对接下壳 Cable-to-cable hood



| 螺纹 Thread | 型号/Type | 订货号 /Part Number |
|--------------------------------|-------------------|------------------|
| PG21 | G16B-TBF-LB-PG21 | |
| M25 | G16B-TBF-LB-M25 | |
| M32 | G16B-TBF-LB-M32 | |
| 高结构 / High construction | | |
| PG21 | G16B-TBFH-LB-PG21 | |
| PG29 | G16B-TBFH-LB-PG29 | |
| M32 | G16B-TBFH-LB-M32 | |
| M40 | G16B-TBFH-LB-M40 | |



G16B 耐腐蚀外壳 Metal Hoods & Housings For higher environmental requirements



底部外壳安装开孔尺寸/Housing mounting dimensions PAGE/390

表面粉末镀层, RAL 9005 / Powder-coated, RAL 9005

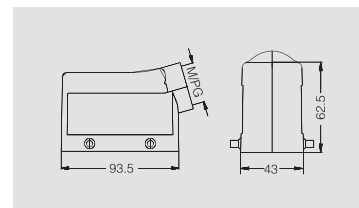
防护等级 Degree of protection : IP65

上壳 / Hoods

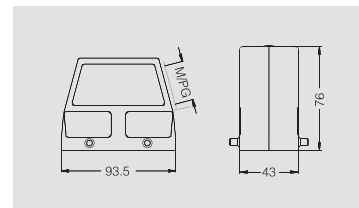
侧面进线 Side entry



| 螺纹 Thread | 型号/Type | 订货号 /Part Number |
|-----------|----------------|------------------|
| PG21 | G16B-TS-M-PG21 | |
| M25 | G16B-TS-M-M25 | |

侧出线高结构
side entry, high construction

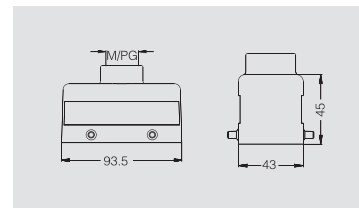
| 螺纹 Thread | 型号/Type | 订货号 /Part Number |
|-----------|-----------------|------------------|
| PG29 | G16B-TSH-M-PG29 | |
| M32 | G16B-TSH-M-M32 | |
| M40 | G16B-TSH-M-M40 | |



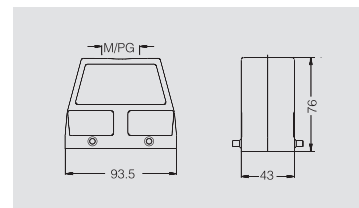
顶部进线 Top entry



| 螺纹 Thread | 型号/Type | 订货号 /Part Number |
|-----------|----------------|------------------|
| PG21 | G16B-TG-M-PG21 | |
| M25 | G16B-TG-M-M25 | |

顶出线高结构
top entry, high construction

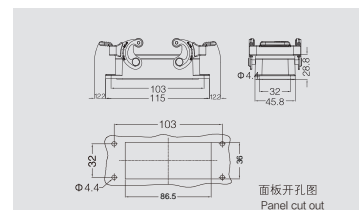
| 螺纹 Thread | 型号/Type | 订货号 /Part Number |
|-----------|-----------------|------------------|
| PG29 | G16B-TGH-M-PG29 | |
| M32 | G16B-TGH-M-M32 | |



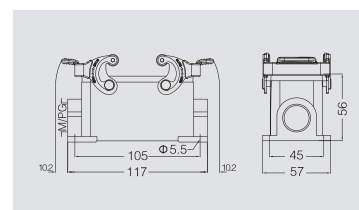
下壳底座 / Housings

外壳底座: 开孔安装
Bulkhead mounted

| 螺纹 Thread | 型号/Type | 订货号 /Part Number |
|-----------|-----------|------------------|
| --- | G16B-AG-M | |

外壳底座: 表面安装
Surface mounted: Side entry

| 螺纹 Thread | 型号/Type | 订货号 /Part Number |
|-----------|-----------------|------------------|
| PG21 | G16B-SGR-M-PG21 | |
| M25 | G16B-SGR-M-M25 | |



G16B耐腐蚀外壳 Metal Hoods & Housings For higher environmental requirements



底部外壳安装开孔尺寸/Housing mounting dimensions PAGE/390

表面粉末镀层, RAL 9005 / Powder-coated, RAL 9005

防护等级 Degree of protection : IP65

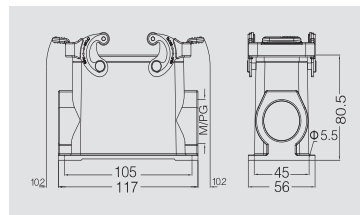
下壳底座 / Housings

封底下壳高结构

Housings, surface mounting, high construction



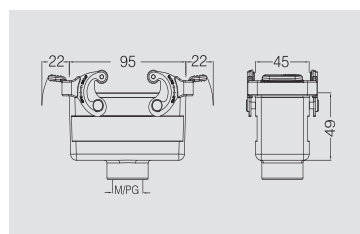
| 螺纹 Thread | 型号/Type | 订货号 /Part Number |
|-----------|-------------------|------------------|
| 2PG29 | G16B-SGRH-M-2PG29 | |
| 2M32 | G16B-SGRH-M-2M32 | |
| 2M40 | G16B-SGRH-M-2M40 | |



电缆对接下壳 Cable-to-cable hood



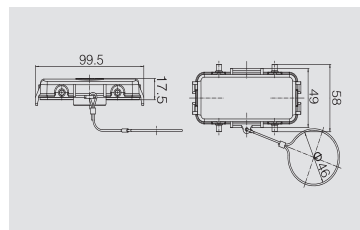
| 螺纹 Thread | 型号/Type | 订货号 /Part Number |
|-----------|-----------------|------------------|
| PG21 | G16B-TBF-M-PG21 | |



底座保护盖 Housing protection cover



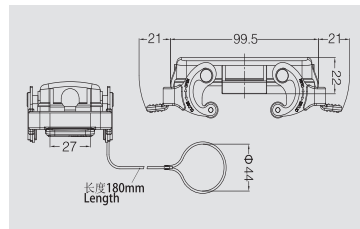
| 螺纹 Thread | 型号/Type | 订货号 /Part Number |
|-----------|------------------------------|------------------|
| | 金属盖/用于上壳 For hoods | |
| | G16B-KDB-LA-M-1 | |
| | 金属盖/用于下壳 For housings | |
| | G16B-KDB-LA-M-2 | |



上壳保护盖 Protection covers for hoods



| 螺纹 Thread | 型号/Type | 订货号 /Part Number |
|-----------|------------------------------|------------------|
| | 金属盖/用于上壳 For hoods | |
| | G16B-KDT-LA-M-1 | |
| | 金属盖/用于下壳 For housings | |
| | G16B-KDT-LA-M-2 | |



GE-024接插体 /GE-024 inserts



芯件适配用G24B外壳
Inserts suit for G24B hoods/housing

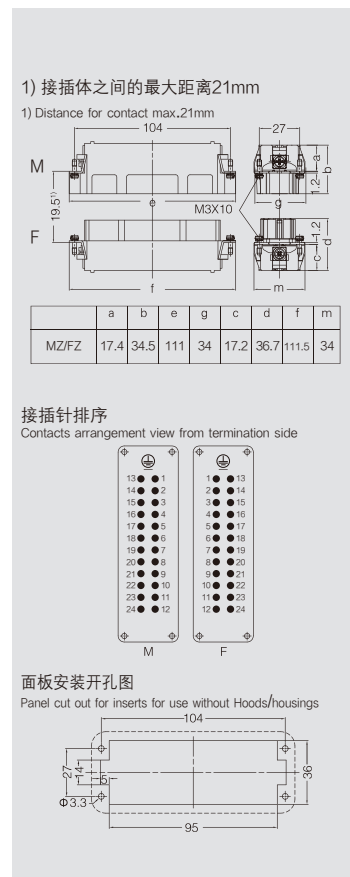
24+

直插压接/ straight crimping

500V max.16A



| 插芯/Inserts | 型号/Type | 订货号/Part Number |
|------------|----------------|-----------------|
| 公 Male | GE-024-MZ | |
| 母 Female | GE-024-FZ | |
| 公 Male | GE-024-MZN(尼龙) | |
| 母 Female | GE-024-FZN(尼龙) | |

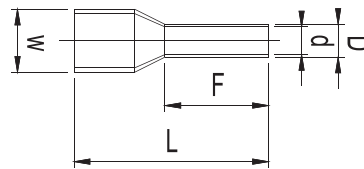


管形预绝缘端头



EV_ _ _

极限工作温度:105°C, Ui: 300V
端头材质: 紫铜管
绝缘材料: 乙烯基



| 型号 | 订货号 | 包装数 | 导线截面 (mm ²) | 预绝缘端头色标 | 尺寸(mm) | | | | |
|-----------|---------|------|-------------------------|---------|--------|------|-----|-----|-----|
| | | | | | F | L | D | d | W |
| EV0.5-10 | 5570103 | 1000 | 0.5 | (WH) | 10.0 | 16.0 | 1.3 | 1.0 | 2.6 |
| EV0.75-10 | 5570107 | 1000 | 0.75 | (BU) | 10.0 | 16.4 | 1.5 | 1.2 | 2.8 |
| EV1-10 | 5570111 | 1000 | 1.0 | (RD) | 10.0 | 16.4 | 1.7 | 1.4 | 3 |
| EV1.5-10 | 5570114 | 1000 | 1.5 | (BK) | 10.0 | 16.4 | 2.0 | 1.7 | 3.5 |
| EV2.5-10 | 5570118 | 1000 | 2.5 | (GY) | 10.0 | 17.4 | 2.6 | 2.2 | 4 |



| 型号 | 压接范围 | 订货号 |
|--------|--------------------------------------|-----------|
| CE-501 | 0.08~6.0mm ² (可调节压接范围) | 3 954 100 |

| 型号 | 压接范围 | 订货号 |
|--------|------------------------|-----------|
| CE-502 | 0.5~6.0mm ² | 3 954 101 |

G24B 双扣外壳 /G24B with 2 lever on the hoods/housings



底部外壳安装开孔尺寸/Housing mounting dimensions PAGE/390

表面粉末镀层, RAL 7037 / Powder-coated, RAL 7037

防护等级 Degree of protection : IP65

上壳 / Hoods

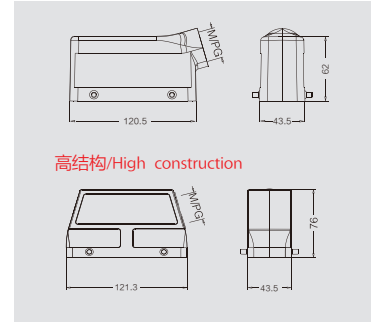
侧面进线 Side entry



| 螺纹 Thread | 型号/Type | 订货号 /Part Number |
|-----------|--------------|------------------|
| PG21 | G24B-TS-PG21 | |
| M25 | G24B-TS-M25 | |
| M32 | G24B-TS-M32 | |

高结构/High construction

| | | |
|------|---------------|--|
| PG21 | G24B-TSH-PG21 | |
| PG29 | G24B-TSH-PG29 | |
| M25 | G24B-TSH-M25 | |
| M32 | G24B-TSH-M32 | |
| M40 | G24B-TSH-M40 | |



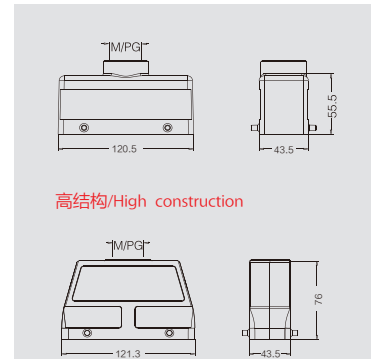
顶部进线 Top entry



| 螺纹 Thread | 型号/Type | 订货号 /Part Number |
|-----------|--------------|------------------|
| PG21 | G24B-TG-PG21 | |
| M25 | G24B-TG-M25 | |
| M32 | G24B-TG-M32 | |

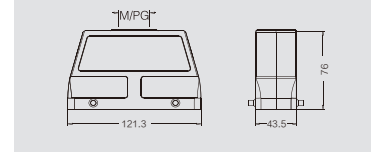
高结构/High construction

| | | |
|------|---------------|--|
| PG21 | G24B-TGH-PG21 | |
| PG29 | G24B-TGH-PG29 | |
| M25 | G24B-TGH-M25 | |
| M32 | G24B-TGH-M32 | |
| M40 | G24B-TGH-M40 | |

上壳侧出线/顶出线
Hoods,side&top entry,high construction

我司可提供顶部、侧面同时出线的非标品
We can provide non-standard products with both top&side entry

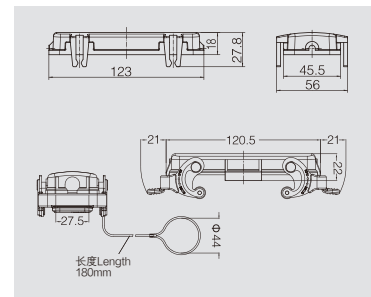
型号为:G24B-TSH/TGH-PG/M 如有需要请与我司联系



上壳保护盖 Protection covers for hoods



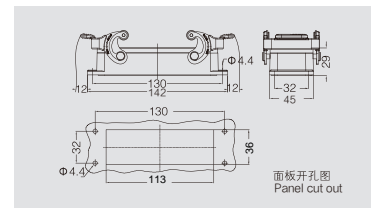
| 螺纹 Thread | 型号/Type | 订货号 /Part Number |
|-----------|------------------------------|------------------|
| | G24B-KDT | |
| | 带金属保护盖/With protection cover | |
| | 金属盖/用于上壳 For hoods | |
| | G24B-KDT-LA-1 | |
| | 金属盖/用于下壳 For housings | |
| | G24B-KDT-LA-2 | |



下壳底座 / Housings

外壳底座开孔安装
Bulkhead mounted

| 螺纹 Thread | 型号/Type | 订货号 /Part Number |
|-----------|---------|------------------|
| | G24B-AG | |



G24B 双扣外壳 /G24B with 2 lever on the hoods/housings



底部外壳安装开孔尺寸/Housing mounting dimensions PAGE/390

表面粉末镀层, RAL 7037 / Powder-coated, RAL 7037

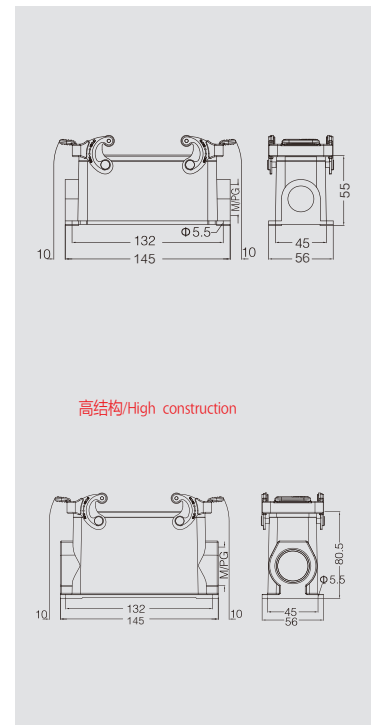
防护等级 Degree of protection : IP65

下壳底座 / Housings

外壳底座: 表面安装
Surface mounted: Side entry



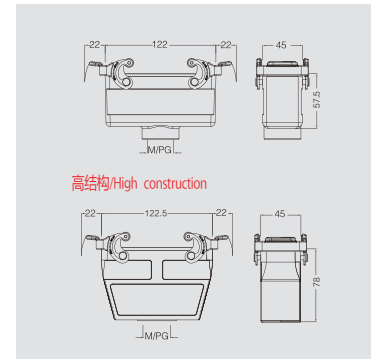
| 螺纹 Thread | 型号/Type | 订货号 /Part Number |
|------------------------------|-----------------|------------------|
| 1个进线孔 1 side entry | | |
| PG21 | G24B-SGR-PG21 | |
| M25 | G24B-SGR-M25 | |
| 2个进线孔 2 side entry | | |
| PG21 | G24B-SGR-2PG21 | |
| M25 | G24B-SGR-2M25 | |
| 高结构/High construction | | |
| PG21 | G24B-SGRH-PG21 | |
| PG29 | G24B-SGRH-PG29 | |
| M32 | G24B-SGRH-M32 | |
| M40 | G24B-SGRH-M40 | |
| 2个进线孔 2 side entry | | |
| PG21 | G24B-SGRH-2PG21 | |
| PG29 | G24B-SGRH-2PG29 | |
| M32 | G24B-SGRH-2M32 | |
| M40 | G24B-SGRH-2M40 | |



电缆对接下壳 Cable-to-cable hood



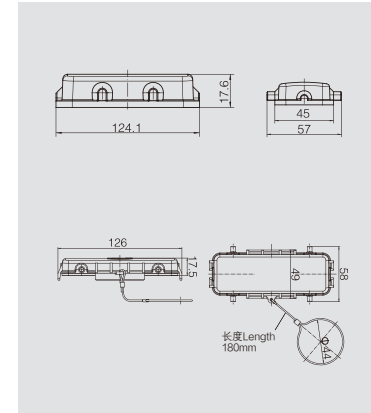
| 螺纹 Thread | 型号/Type | 订货号 /Part Number |
|------------------------------|----------------|------------------|
| PG21 | G24B-TBF-PG21 | |
| M25 | G24B-TBF-M25 | |
| M32 | G24B-TBF-M32 | |
| 高结构/High construction | | |
| PG21 | G24B-TBFH-PG21 | |
| PG29 | G24B-TBFH-PG29 | |
| M32 | G24B-TBFH-M32 | |
| M40 | G24B-TBFH-M40 | |



底座保护盖 Housing protection cover



| 螺纹 Thread | 型号/Type | 订货号 /Part Number |
|--------------------------------------|---------------|------------------|
| | G24B-KDB | |
| 金属保护盖 / With protection cover | | |
| | --- | |
| 金属盖/用于上壳 For hoods | | |
| | G24B-KDB-LA-1 | |
| 金属盖/用于下壳 For housings | | |
| | G24B-KDB-LA-2 | |



G24B 双扣外壳 /G24B with 2 lever on the hoods/housings



底部外壳安装开孔尺寸/Housing mounting dimensions PAGE/390

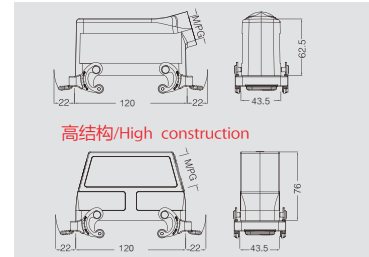
表面粉末镀层, RAL 7037 / Powder-coated, RAL 7037

防护等级 Degree of protection : IP65

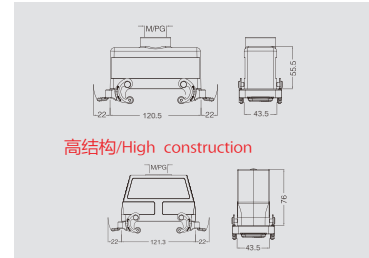
上壳 / Hoods

侧出带双扣下壳
Side entry housing with two levers

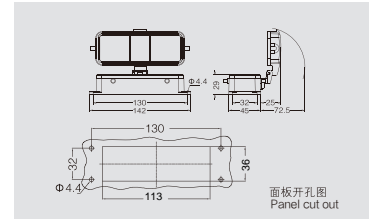
| 螺纹 Thread | 型号/Type | 订货号 /Part Number |
|-----------------------|----------------|------------------|
| PG21 | G24B-TSB-PG21 | |
| M25 | G24B-TSB-M25 | |
| M32 | G24B-TSB-M32 | |
| 高结构/High construction | | |
| PG21 | G24B-TSBH-PG21 | |
| PG29 | G24B-TSBH-PG29 | |
| M25 | G24B-TSBH-M25 | |
| M32 | G24B-TSBH-M32 | |
| M40 | G24B-TSBH-M40 | |

顶出带双扣下壳
Top entry housing with two levers

| 螺纹 Thread | 型号/Type | 订货号 /Part Number |
|-----------------------|----------------|------------------|
| PG21 | G24B-TGB-PG21 | |
| M25 | G24B-TGB-M25 | |
| M32 | G24B-TGB-M32 | |
| 高结构/High construction | | |
| PG21 | G24B-TGBH-PG21 | |
| PG29 | G24B-TGBH-PG29 | |
| M25 | G24B-TGBH-M25 | |
| M32 | G24B-TGBH-M32 | |
| M40 | G24B-TGBH-M40 | |

双扣带盖开孔底座
Bulkhead mounting with hoods

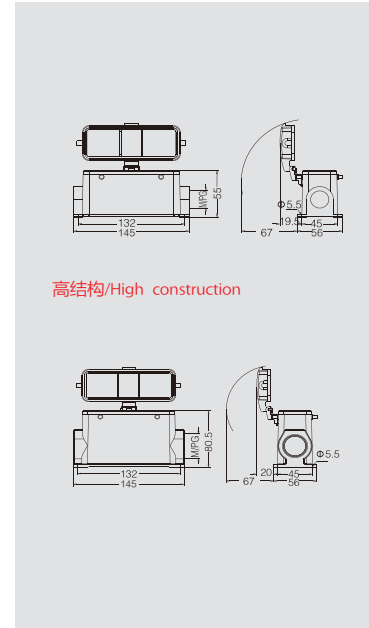
| 螺纹 Thread | 型号/Type | 订货号 /Part Number |
|------------------------------|---------------|------------------|
| | G24B-AG-BO | |
| 带保护盖/with protection cover | | |
| | G24B-AD-BO | |
| 带金属保护盖/with protection cover | | |
| | G24B-AD-LA-BO | |



下壳底座 / Housings

双扣带盖表面安装底座
Surface mounting with hoods

| 螺纹 Thread | 型号/Type | 订货号 /Part Number |
|----------------------------|--------------------|------------------|
| 带保护盖/with protection cover | | |
| 1个进线孔 1 side entry | | |
| PG21 | G24B-SDR-BO-PG21 | |
| M25 | G24B-SDR-BO-M25 | |
| 2个进线孔 2 side entry | | |
| PG21 | G24B-SDR-BO-2PG21 | |
| M25 | G24B-SDR-BO-2M25 | |
| 高结构/High construction | | |
| 1个进线孔 1 side entry | | |
| PG21 | G24B-SDRH-BO-PG21 | |
| PG29 | G24B-SDRH-BO-PG29 | |
| M32 | G24B-SDRH-BO-M32 | |
| M40 | G24B-SDRH-BO-M40 | |
| 2个进线孔 2 side entry | | |
| PG21 | G24B-SDRH-BO-2PG21 | |
| PG29 | G24B-SDRH-BO-2PG29 | |
| M32 | G24B-SDRH-BO-2M32 | |
| M40 | G24B-SDRH-BO-2M40 | |



G24B单扣外壳 /G24B with 1 lever on the hoods/housings



底部外壳安装开孔尺寸/Housing mounting dimensions PAGE/390

表面粉末镀层, RAL 7037 / Powder-coated, RAL 7037

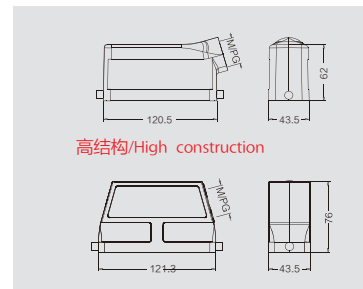
防护等级 Degree of protection : IP65

上壳 / Hoods

侧面进线 Side entry



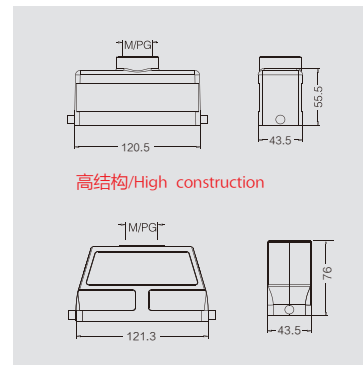
| 螺纹 Thread | 型号/Type | 订货号 /Part Number |
|-----------------------|------------------|------------------|
| PG21 | G24B-TS-RO-PG21 | |
| M25 | G24B-TS-RO-M25 | |
| M32 | G24B-TS-RO-M32 | |
| 高结构/High construction | | |
| PG21 | G24B-TSH-RO-PG21 | |
| PG29 | G24B-TSH-RO-PG29 | |
| M25 | G24B-TSH-RO-M25 | |
| M32 | G24B-TSH-RO-M32 | |
| M40 | G24B-TSH-RO-M40 | |



顶部进线 Top entry



| 螺纹 Thread | 型号/Type | 订货号 /Part Number |
|-----------------------|------------------|------------------|
| PG21 | G24B-TG-RO-PG21 | |
| PG29 | G24B-TG-RO-PG29 | |
| M25 | G24B-TG-RO-M25 | |
| M32 | G24B-TG-RO-M32 | |
| 高结构/High construction | | |
| PG21 | G24B-TGH-RO-PG21 | |
| PG29 | G24B-TGH-RO-PG29 | |
| PG36 | G24B-TGH-RO-PG36 | |
| M25 | G24B-TGH-RO-M25 | |
| M32 | G24B-TGH-RO-M32 | |
| M40 | G24B-TGH-RO-M40 | |

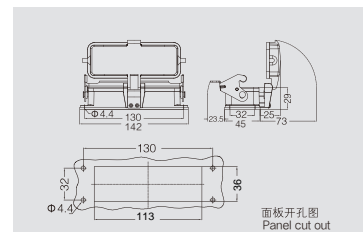


下壳底座 / Housings

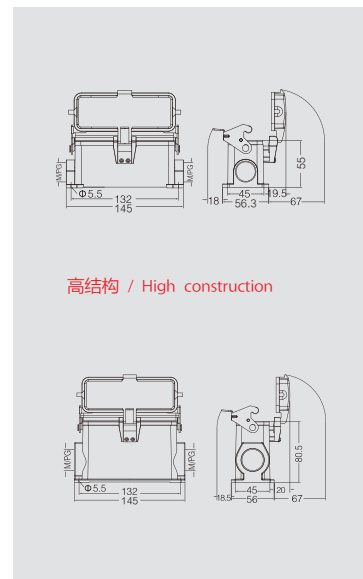
外壳底座: 开孔安装 Bulkhead mounted



| 螺纹 Thread | 型号/Type | 订货号 /Part Number |
|---------------------------|-------------|------------------|
| | G24B-AG-LB | |
| 带保护盖/ith protection cover | | |
| | G24B-AD-LB | |
| 上壳保护盖/protection cover | | |
| | G24B-KDT-LB | |

外壳底座: 表面安装
Surface mounted: Side entry

| 螺纹 Thread | 型号/Type | 订货号 /Part Number |
|-------------------------|--------------------|------------------|
| 1个进线孔1 side entry | | |
| PG21 | G24B-SGR-LB-PG21 | |
| M25 | G24B-SGR-LB-M25 | |
| 2个进线孔2 side entry | | |
| 2PG21 | G24B-SGR-LB-2PG21 | |
| 2M25 | G24B-SGR-LB-2M25 | |
| 高结构 / High construction | | |
| 1个进线孔1 side entry | | |
| PG21 | G24B-SGRH-LB-PG21 | |
| PG29 | G24B-SGRH-LB-PG29 | |
| M32 | G24B-SGRH-LB-M32 | |
| M40 | G24B-SGRH-LB-M40 | |
| 2个进线孔2 side entry | | |
| PG21 | G24B-SGRH-LB-2PG21 | |
| PG29 | G24B-SGRH-LB-2PG29 | |
| M32 | G24B-SGRH-LB-2M32 | |
| M40 | G24B-SGRH-LB-2M40 | |



G24B单扣外壳 /G24B with 1 lever on the hoods/housings



底部外壳安装开孔尺寸/Housing mounting dimensions PAGE/390

表面粉末镀层, RAL 7037 / Powder-coated, RAL 7037

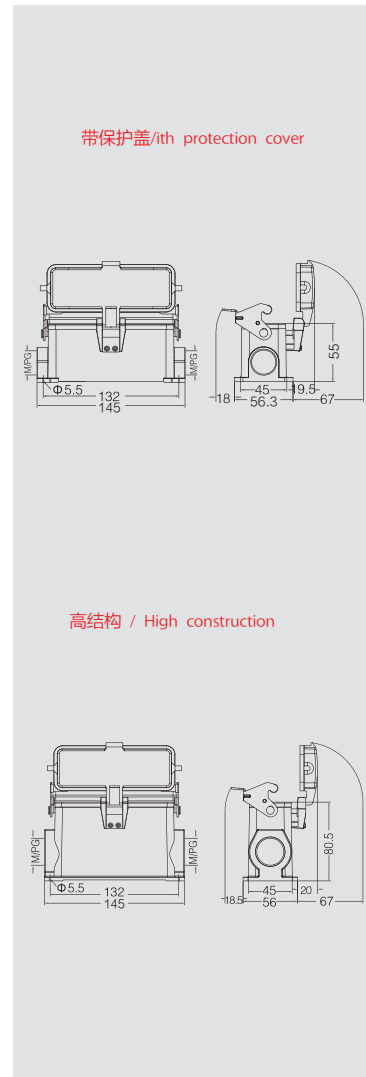
防护等级 Degree of protection : IP65

上壳 / Hoods

带盖表面安装底座 Surface mounting



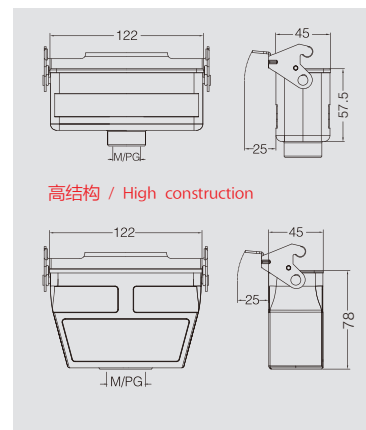
| 螺纹 Thread | 型号/Type | 订货号 /Part Number |
|---|-----------------------|------------------|
| 带保护盖/With protection cover | | |
| 1个进线孔1 side entry | | |
| PG21 | G24B-SDR-LB-PG21 | |
| M25 | G24B-SDR-LB-M25 | |
| 2个进线孔2 side entry | | |
| 2PG21 | G24B-SDR-LB-2PG21 | |
| 2M25 | G24B-SDR-LB-2M25 | |
| 高结构 / High construction | | |
| 1个进线孔1 side entry | | |
| PG21 | G24B-SDRH-LB-PG21 | |
| PG29 | G24B-SDRH-LB-PG29 | |
| M32 | G24B-SDRH-LB-M32 | |
| 2个进线孔2 side entry | | |
| PG21 | G24B-SDRH-LB-2PG21 | |
| PG29 | G24B-SDRH-LB-2PG29 | |
| M32 | G24B-SDRH-LB-2M32 | |
| 带金属保护盖/With metal protective cover | | |
| 1个进线孔1 side entry | | |
| PG21 | G24B-SDR-LB-LA-PG21 | |
| M25 | G24B-SDR-LB-LA-M25 | |
| 2个进线孔2 side entry | | |
| 2PG21 | G24B-SDR-LB-LA-2PG21 | |
| 2M25 | G24B-SDR-LB-LA-2M25 | |
| 高结构 / High construction | | |
| 1个进线孔1 side entry | | |
| PG21 | G24B-SDRH-LB-LA-PG21 | |
| PG29 | G24B-SDRH-LB-LA-PG29 | |
| M32 | G24B-SDRH-LB-LA-M32 | |
| 2个进线孔2 side entry | | |
| PG21 | G24B-SDRH-LB-LA-2PG21 | |
| PG29 | G24B-SDRH-LB-LA-2PG29 | |
| M32 | G24B-SDRH-LB-LA-2M32 | |



电缆对接下壳 Cable-to-cable hood



| 螺纹 Thread | 型号/Type | 订货号 /Part Number |
|--------------------------------|-------------------|------------------|
| PG21 | G24B-TBF-LB-PG21 | |
| PG29 | G24B-TBF-LB-PG29 | |
| M25 | G24B-TBF-LB-M25 | |
| M32 | G24B-TBF-LB-M32 | |
| 高结构 / High construction | | |
| PG21 | G24B-TBFH-LB-PG21 | |
| PG29 | G24B-TBFH-LB-PG29 | |
| M32 | G24B-TBFH-LB-M32 | |
| M40 | G24B-TBFH-LB-M40 | |



G24B 耐腐蚀外壳 Metal Hoods & Housings For higher environmental requirements



底部外壳安装开孔尺寸/Housing mounting dimensions PAGE/390

表面粉末镀层, RAL 9005 / Powder-coated, RAL 9005

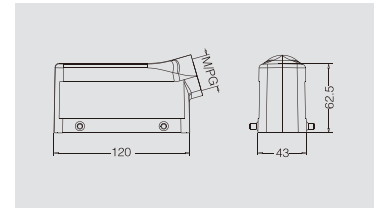
防护等级 Degree of protection : IP65

上壳 / Hoods

侧出线 side entry



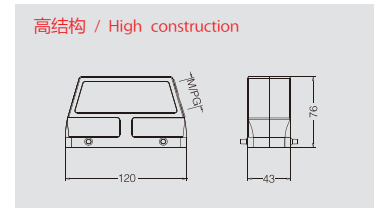
| 螺纹 Thread | 型号/Type | 订货号 /Part Number |
|-----------|----------------|------------------|
| PG21 | G24B-TS-M-PG21 | |
| M25 | G24B-TS-M-M25 | |



侧出线高结构 side entry, high construction



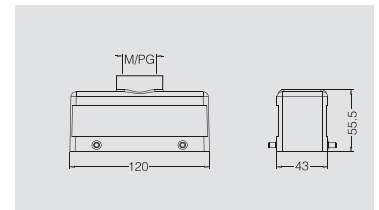
| 螺纹 Thread | 型号/Type | 订货号 /Part Number |
|-------------------------|-----------------|------------------|
| 高结构 / High construction | | |
| PG29 | G24B-TSH-M-PG29 | |
| M32 | G24B-TSH-M-M32 | |
| M40 | G24B-TSH-M-M40 | |



顶出线 top entry



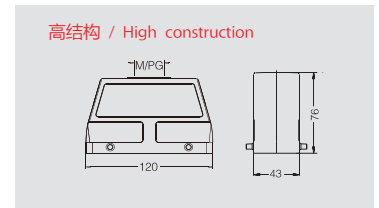
| 螺纹 Thread | 型号/Type | 订货号 /Part Number |
|-----------|----------------|------------------|
| PG21 | G24B-TG-M-PG21 | |
| M25 | G24B-TG-M-M25 | |



顶出线高结构 top entry, high construction



| 螺纹 Thread | 型号/Type | 订货号 /Part Number |
|-------------------------|-----------------|------------------|
| 高结构 / High construction | | |
| PG29 | G24B-TGH-M-PG29 | |
| M32 | G24B-TGH-M-M32 | |

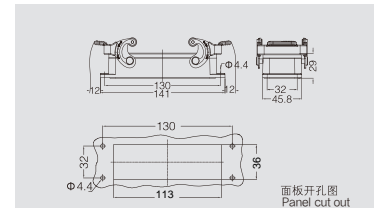


下壳底座 / Housings

不封底下壳 Housings, bulkhead mounting



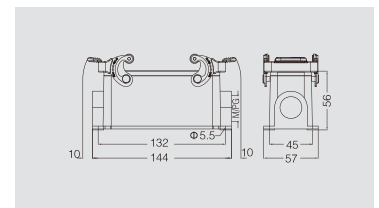
| 螺纹 Thread | 型号/Type | 订货号 /Part Number |
|-----------|-----------|------------------|
| --- | G24B-AG-M | |



封底下壳 Housings, surface mounting



| 螺纹 Thread | 型号/Type | 订货号 /Part Number |
|-----------|-----------------|------------------|
| PG21 | G24B-SGR-M-PG21 | |
| M25 | G24B-SGR-M-M25 | |



G24B耐腐蚀外壳 Metal Hoods & Housings For higher environmental requirements



底部外壳安装开孔尺寸/Housing mounting dimensions PAGE/390

表面粉末镀层, RAL 9005 / Powder-coated, RAL 9005

防护等级 Degree of protection : IP65

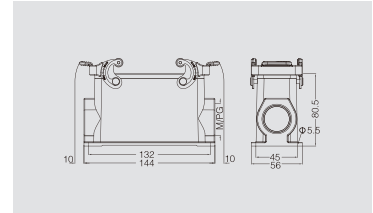
下壳底座 / Housings

封底下壳高结构

Housings, surface mounting, high construction



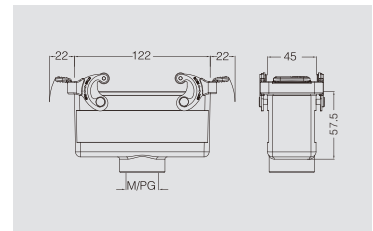
| 螺纹 Thread | 型号/Type | 订货号 /Part Number |
|-----------|-------------------|------------------|
| 2PG29 | G24B-SGRH-M-2PG29 | |
| 2M32 | G24B-SGRH-M-2M32 | |
| 2M40 | G24B-SGRH-M-2M40 | |



电缆对接下壳 Cable-to-cable hood



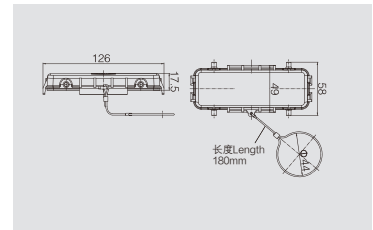
| 螺纹 Thread | 型号/Type | 订货号 /Part Number |
|-----------|-----------------|------------------|
| PG21 | G24B-TBF-M-PG21 | |



底座保护盖 Housing protection cover



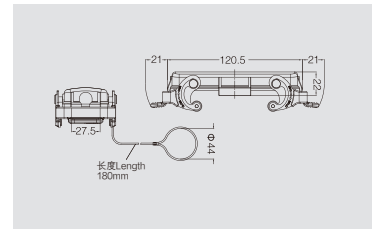
| 螺纹 Thread | 型号/Type | 订货号 /Part Number |
|-----------|-----------------------|------------------|
| | 金属盖/用于上壳 For hoods | |
| | G24B-KDB-LA-M-1 | |
| | 金属盖/用于下壳 For housings | |
| | G24B-KDB-LA-M-2 | |



上壳保护盖 Protection covers for hoods



| 螺纹 Thread | 型号/Type | 订货号 /Part Number |
|-----------|-----------------------|------------------|
| | 金属盖/用于上壳 For hoods | |
| | G24B-KDT-LA-M-1 | |
| | 金属盖/用于下壳 For housings | |
| | G24B-KDT-LA-M-2 | |



GE-032接插体 / GE-032 inserts



芯件适配用G32B外壳
Inserts suit for G32B hoods/housing

32+ (16X2)

直插压接/ straight crimping

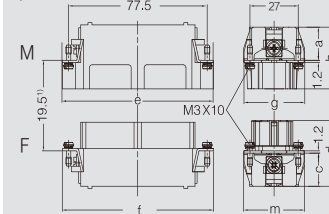
500V max.16A(16x2)



| 插芯/Inserts | 型号/Type | 订货号/Part Number |
|------------|-----------------------|-----------------|
| 公 Male | GE-016-MZ(1-16) | |
| 母 Female | GE-016-FZ(1-16) | |
| 公 Male | GE-016-MZN(1-16)(尼龙) | |
| 母 Female | GE-016-FZN(1-16)(尼龙) | |
| 公 Male | GE-016-MZ(17-32) | |
| 母 Female | GE-016-FZ(17-32) | |
| 公 Male | GE-016-MZN(17-32)(尼龙) | |
| 母 Female | GE-016-FZN(17-32)(尼龙) | |

1) 接插体之间的最大距离21mm

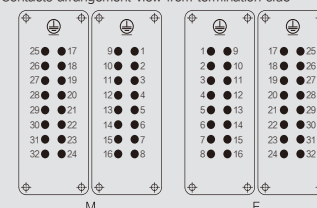
1) Distance for contact max.21mm



| | a | b | e | g | c | d | f | m |
|-------|------|------|------|----|------|------|------|----|
| MZ/FZ | 17.4 | 34.5 | 84.5 | 34 | 17.2 | 36.8 | 84.5 | 34 |

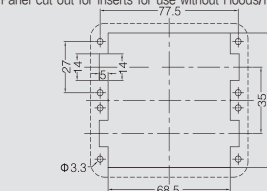
接插针排序

Contacts arrangement view from termination side



面板安装开孔图

Panel cut out for inserts for use without Hoods/housings



管形预绝缘端头

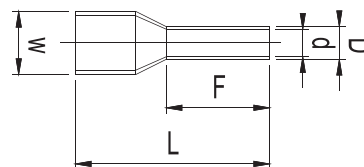


EV_ _ _

极限工作温度:105°C, Ui: 300V

端头材质: 紫铜管

绝缘材料: 乙烯基



| 型号 | 订货号 | 包装数 | 导线截面 (mm ²) | 预绝缘端头色标 | 尺寸(mm) | | | | |
|-----------|---------|------|-------------------------|---------|--------|------|-----|-----|-----|
| | | | | | F | L | D | d | W |
| EV0.5-10 | 5570103 | 1000 | 0.5 | (WH) | 10.0 | 16.0 | 1.3 | 1.0 | 2.6 |
| EV0.75-10 | 5570107 | 1000 | 0.75 | (BU) | 10.0 | 16.4 | 1.5 | 1.2 | 2.8 |
| EV1-10 | 5570111 | 1000 | 1.0 | (RD) | 10.0 | 16.4 | 1.7 | 1.4 | 3 |
| EV1.5-10 | 5570114 | 1000 | 1.5 | (BK) | 10.0 | 16.4 | 2.0 | 1.7 | 3.5 |
| EV2.5-10 | 5570118 | 1000 | 2.5 | (GY) | 10.0 | 17.4 | 2.6 | 2.2 | 4 |



| 型号 | 压接范围 | 订货号 |
|--------|--------------------------------------|-----------|
| CE-501 | 0.08~6.0mm ² (可调节压接范围) | 3 954 100 |

| 型号 | 压接范围 | 订货号 |
|--------|------------------------|-----------|
| CE-502 | 0.5~6.0mm ² | 3 954 101 |

G32B带双扣外壳/G32B with 2 lever on the hoods/housings



底部外壳安装开孔尺寸/Housing mounting dimensions PAGE/390

表面粉末镀层, RAL 7037 / Powder-coated, RAL 7037

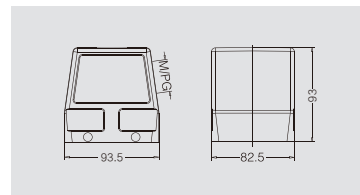
注:上壳高结构和低结构是通用型结构

上壳 / Hoods

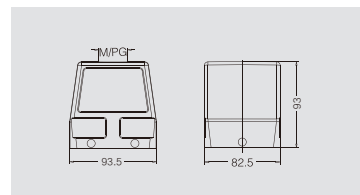
外壳上壳: 侧面进线 Hood: Side entry



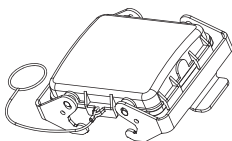
| 螺纹 Thread | 型号/Type | 订货号 /Part Number |
|-----------|--------------|------------------|
| PG29 | G32B-TS-PG29 | |
| PG36 | G32B-TS-PG36 | |
| PG42 | G32B-TS-PG42 | |
| M32 | G32B-TS-M32 | |
| M40 | G32B-TS-M40 | |
| M50 | G32B-TS-M50 | |

外壳上壳: 顶部进线
Hood: Top entry

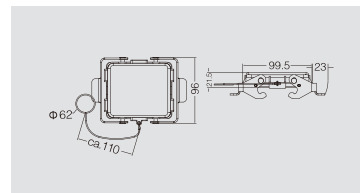
| 螺纹 Thread | 型号/Type | 订货号 /Part Number |
|-----------|--------------|------------------|
| PG29 | G32B-TG-PG29 | |
| PG36 | G32B-TG-PG36 | |
| PG42 | G32B-TG-PG42 | |
| M32 | G32B-TG-M32 | |
| M40 | G32B-TG-M40 | |
| M50 | G32B-TG-M50 | |



上壳保护盖 Protection covers for hoods



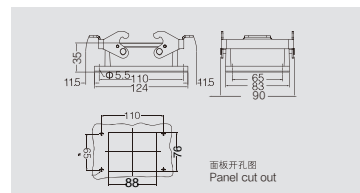
| 螺纹 Thread | 型号/Type | 订货号 /Part Number |
|-----------|---------------|------------------|
| | G32B-KDT-LA-1 | |



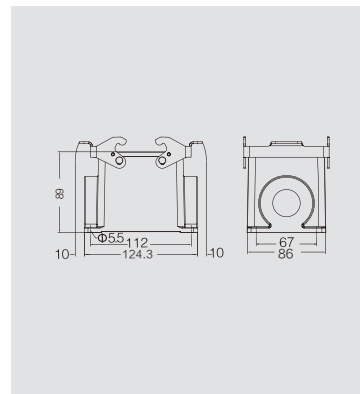
下壳底座 / Housings

外壳底座: 开孔安装
Bulkhead mounted: Bottom entry

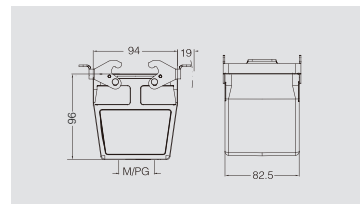
| 螺纹 Thread | 型号/Type | 订货号 /Part Number |
|-----------|---------|------------------|
| | G32B-AG | |

外壳底座: 表面安装
Surface mounted: Side entry

| 螺纹 Thread | 型号/Type | 订货号 /Part Number |
|-------------------|----------------|------------------|
| 1个进线孔1 side entry | | |
| PG29 | G32B-SGR-PG29 | |
| PG36 | G32B-SGR-PG36 | |
| PG42 | G32B-SGR-PG42 | |
| M32 | G32B-SGR-M32 | |
| M40 | G32B-SGR-M40 | |
| 2个进线孔2 side entry | | |
| PG29 | G32B-SGR-2PG29 | |
| PG36 | G32B-SGR-2PG36 | |
| PG42 | G32B-SGR-2PG42 | |
| M32 | G32B-SGR-2M32 | |
| M40 | G32B-SGR-2M40 | |

电缆对接下壳
Cable-to-cable hood

| 螺纹 Thread | 型号/Type | 订货号 /Part Number |
|-----------|---------------|------------------|
| PG29 | G32B-TBF-PG29 | |
| PG36 | G32B-TBF-PG36 | |
| PG42 | G32B-TBF-PG42 | |
| M32 | G32B-TBF-M32 | |
| M40 | G32B-TBF-M40 | |
| M50 | G32B-TBF-M50 | |



G32B带双扣外壳/G32B with 2 lever on the hoods/housings



底部外壳安装开孔尺寸/Housing mounting dimensionsPAGE/390

表面粉末镀层, RAL 7037 / Powder-coated, RAL 7037

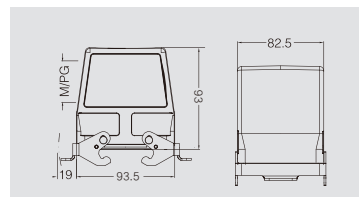
注:上壳高结构和低结构是通用型结构

上壳 / Hoods

外壳上壳: 侧面进线 Hood: Side entry



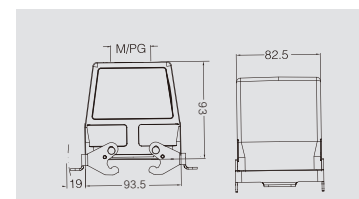
| 螺纹 Thread | 型号/Type | 订货号 /Part Number |
|-----------|---------------|------------------|
| PG29 | G32B-TSB-PG29 | |
| M32 | G32B-TSB-M32 | |



开孔安装 Bulkhead mounted



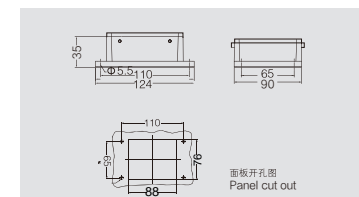
| 螺纹 Thread | 型号/Type | 订货号 /Part Number |
|-----------|---------------|------------------|
| PG29 | G32B-TGB-PG29 | |
| PG36 | G32B-TGB-PG36 | |
| PG42 | G32B-TGB-PG42 | |
| M32 | G32B-TGB-M32 | |
| M40 | G32B-TGB-M40 | |
| M50 | G32B-TGB-M50 | |



开孔安装 Bulkhead mounted



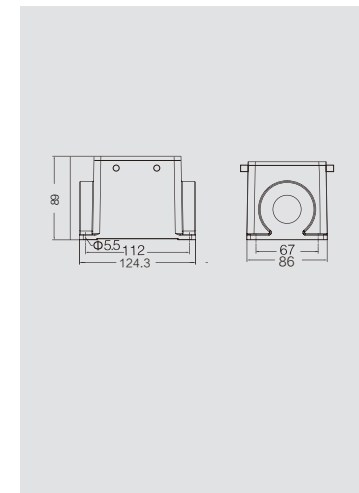
| 螺纹 Thread | 型号/Type | 订货号 /Part Number |
|-----------|------------|------------------|
| | G32B-AG-BO | |



开孔安装 Bulkhead mounted



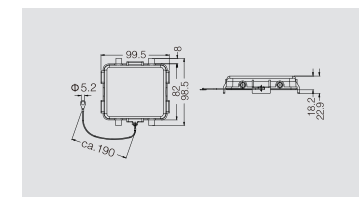
| 螺纹 Thread | 型号/Type | 订货号 /Part Number |
|-------------------|-------------------|------------------|
| 1个进线孔1 side entry | | |
| PG29 | G32B-SGR-BO-PG29 | |
| PG36 | G32B-SGR-BO-PG36 | |
| PG42 | G32B-SGR-BO-PG42 | |
| M32 | G32B-SGR-BO-M32 | |
| M40 | G32B-SGR-BO-M40 | |
| 2个进线孔2 side entry | | |
| PG29 | G32B-SGR-BO-2PG29 | |
| PG36 | G32B-SGR-BO-2PG36 | |
| PG42 | G32B-SGR-BO-2PG42 | |
| M32 | G32B-SGR-BO-2M32 | |
| M40 | G32B-SGR-BO-2M40 | |



底座保护盖



| 螺纹 Thread | 型号/Type | 订货号 /Part Number |
|-----------|---------------|------------------|
| | G32B-KDB-LA-2 | |



G32B带单扣外壳 / G32B with 1 lever on the hoods/housings



底部外壳安装开孔尺寸/Housing mounting dimensions PAGE/390

表面粉末镀层, RAL 7037 / Powder-coated, RAL 7037

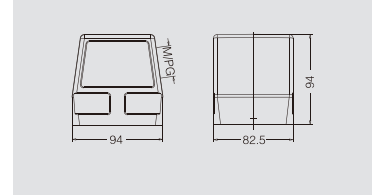
注:上壳高结构和低结构是通用型结构

上壳 / Hoods

外壳上壳: 侧面进线 Hood: Side entry



| 螺纹 Thread | 型号/Type | 订货号 /Part Number |
|-----------|-----------------|------------------|
| PG29 | G32B-TS-RO-PG29 | |
| PG36 | G32B-TS-RO-PG36 | |
| PG42 | G32B-TS-RO-PG42 | |
| M32 | G32B-TS-RO-M32 | |
| M40 | G32B-TS-RO-M40 | |
| M50 | G32B-TS-RO-M50 | |

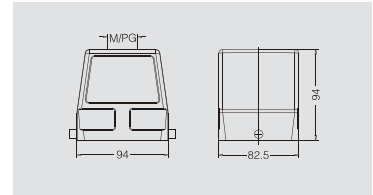


外壳上壳: 顶部进线

Hood: Top entry



| 螺纹 Thread | 型号/Type | 订货号 /Part Number |
|-----------|-----------------|------------------|
| PG29 | G32B-TG-RO-PG29 | |
| PG36 | G32B-TG-RO-PG36 | |
| PG42 | G32B-TG-RO-PG42 | |
| M32 | G32B-TG-RO-M32 | |
| M40 | G32B-TG-RO-M40 | |
| M50 | G32B-TG-RO-M50 | |



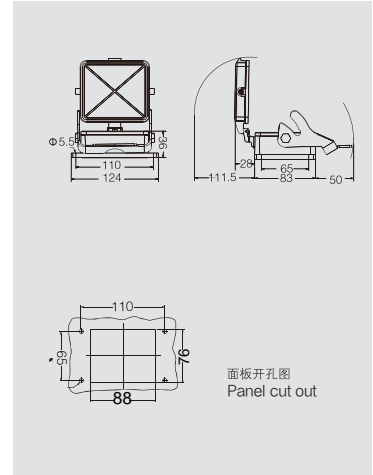
下壳底座 / Housings

外壳底座: 开孔安装

Bulkhead mounted: Bottom entry



| 螺纹 Thread | 型号/Type | 订货号 /Part Number |
|-----------|----------------------------|------------------|
| | G32B-AG-LB | |
| | 带保护盖/With protection cover | |
| | G32B-AD-LB | |

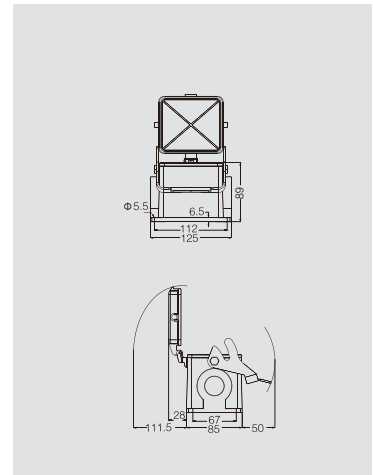


外壳底座: 表面安装

Surface mounted: Side entry



| 螺纹 Thread | 型号/Type | 订货号 /Part Number |
|-----------|----------------------------|------------------|
| | 1个进线孔1 side entry | |
| PG29 | G32B-SGR-LB-PG29 | |
| M32 | G32B-SGR-LB-M32 | |
| | 2个进线孔2 side entry | |
| PG29 | G32B-SGR-LB-2PG29 | |
| M32 | G32B-SGR-LB-2M32 | |
| | 带保护盖/With protection cover | |
| | 1个进线孔1 side entry | |
| PG29 | G32B-SDR-LB-PG29 | |
| M32 | G32B-SDR-LB-M32 | |
| | 2个进线孔2 side entry | |
| PG29 | G32B-SDR-LB-2PG29 | |
| M32 | G32B-SDR-LB-2M32 | |



GE-048接插体 / GE-048 inserts



芯件适配用G48B外壳
Inserts suit for G48B hoods/housing

48+ (24X2)

直插压接/ straight crimping

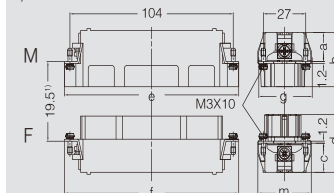
500V max.16A



| 插芯/Inserts | 型号/Type | 订货号/Part Number |
|------------|-----------------------|-----------------|
| 公 Male | GE-024-MZ(1-24) | |
| 母 Female | GE-024-FZ(1-24) | |
| 公 Male | GE-024-MZN(1-24)(尼龙) | |
| 母 Female | GE-024-FZN(1-24)(尼龙) | |
| 公 Male | GE-024-MZ(25-48) | |
| 母 Female | GE-024-FZ(25-48) | |
| 公 Male | GE-024-MZN(25-48)(尼龙) | |
| 母 Female | GE-024-FZN(25-48)(尼龙) | |

1) 接插体之间的最大距离21mm

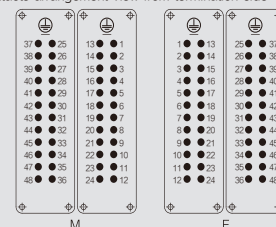
1) Distance for contact max.21mm



| | a | b | e | g | c | d | f | m |
|-------|------|------|-----|----|------|------|-------|----|
| MZ/FZ | 17.4 | 34.5 | 111 | 34 | 17.2 | 36.7 | 111.5 | 34 |

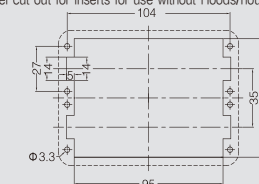
接插针排序

Contacts arrangement view from termination side



面板安装开孔图

Panel cut out for inserts for use without Hoods/housings



管形预绝缘端头

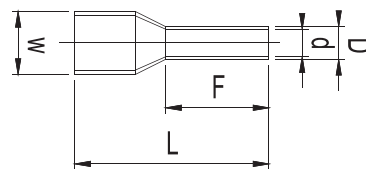


EV_ _ _

极限工作温度:105°C, Ui: 300V

端头材质: 紫铜管

绝缘材料: 乙烯基



| 型号 | 订货号 | 包装数 | 导线截面 (mm ²) | 预绝缘端头色标 | 尺寸(mm) | | | | |
|-----------|---------|------|-------------------------|---------|--------|------|-----|-----|-----|
| | | | | | F | L | D | d | W |
| EV0.5-10 | 5570103 | 1000 | 0.5 | (WH) | 10.0 | 16.0 | 1.3 | 1.0 | 2.6 |
| EV0.75-10 | 5570107 | 1000 | 0.75 | (BU) | 10.0 | 16.4 | 1.5 | 1.2 | 2.8 |
| EV1-10 | 5570111 | 1000 | 1.0 | (RD) | 10.0 | 16.4 | 1.7 | 1.4 | 3 |
| EV1.5-10 | 5570114 | 1000 | 1.5 | (BK) | 10.0 | 16.4 | 2.0 | 1.7 | 3.5 |
| EV2.5-10 | 5570118 | 1000 | 2.5 | (GY) | 10.0 | 17.4 | 2.6 | 2.2 | 4 |



| 型号 | 压接范围 | 订货号 |
|--------|--------------------------------------|-----------|
| CE-501 | 0.08~6.0mm ² (可调节压接范围) | 3 954 100 |



| 型号 | 压接范围 | 订货号 |
|--------|------------------------|-----------|
| CE-502 | 0.5~6.0mm ² | 3 954 101 |

G48B外壳 / G48B hoods/housings



底部外壳安装开孔尺寸/Housing mounting dimensions PAGE/390

表面粉末镀层, RAL 7037 / Powder-coated, RAL 7037

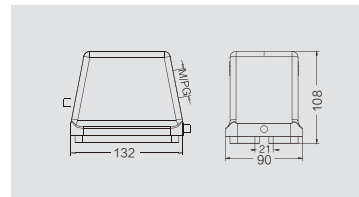
防护等级 Degree of protection : IP65

上壳 / Hoods

侧面进线 Hood: Side entry



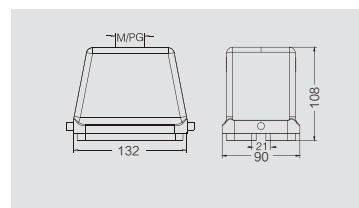
| 螺纹 Thread | 型号/Type | 订货号 /Part Number |
|-----------|-----------------|------------------|
| PG29 | G48B-TS-RO-PG29 | |
| PG36 | G48B-TS-RO-PG36 | |
| PG42 | G48B-TS-RO-PG42 | |
| M32 | G48B-TS-RO-M32 | |
| M40 | G48B-TS-RO-M40 | |
| M50 | G48B-TS-RO-M50 | |



外壳上壳: 顶部进线 Hood: Top entry



| 螺纹 Thread | 型号/Type | 订货号 /Part Number |
|-----------|-----------------|------------------|
| PG29 | G48B-TG-RO-PG29 | |
| PG36 | G48B-TG-RO-PG36 | |
| PG42 | G48B-TG-RO-PG42 | |
| M32 | G48B-TG-RO-M32 | |
| M40 | G48B-TG-RO-M40 | |
| M50 | G48B-TG-RO-M50 | |



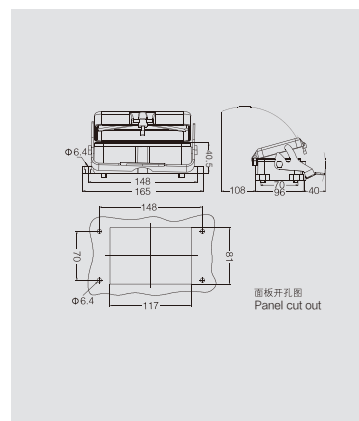
下壳底座 / Housings

外壳底座: 开孔安装

Bulkhead mounted: Bottom entry



| 螺纹 Thread | 型号/Type | 订货号 /Part Number |
|-----------|----------------------------|------------------|
| | G48B-AG-LB | |
| | 带保护盖/With protection cover | |
| | G48B-AD-LB | |

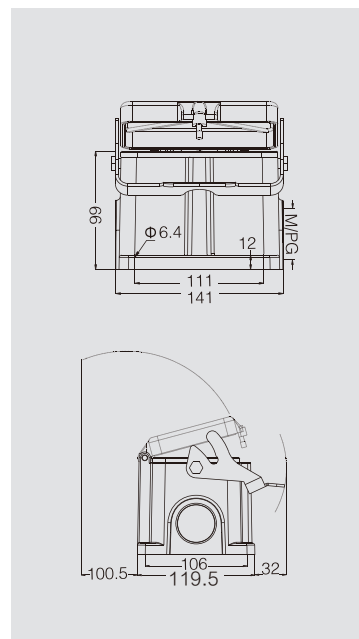


外壳底座: 表面安装

Surface mounted: Side entry



| 螺纹 Thread | 型号/Type | 订货号 /Part Number |
|-----------|----------------------------|------------------|
| | 1个进线孔1 side entry | |
| PG29 | G48B-SGR-LB-PG29 | |
| PG36 | G48B-SGR-LB-PG36 | |
| M32 | G48B-SGR-LB-M32 | |
| M40 | G48B-SGR-LB-M40 | |
| | 2个进线孔2 side entry | |
| PG29 | G48B-SGR-LB-2PG29 | |
| PG36 | G48B-SGR-LB-2PG36 | |
| M32 | G48B-SGR-LB-2M32 | |
| M40 | G48B-SGR-LB-2M40 | |
| | 带保护盖/With protection cover | |
| | 1个进线孔1 side entry | |
| PG29 | G48B-SDR-LB-PG29 | |
| PG36 | G48B-SDR-LB-PG36 | |
| M32 | G48B-SDR-LB-M32 | |
| M40 | G48B-SDR-LB-M40 | |
| | 2个进线孔2 side entry | |
| PG29 | G48B-SDR-LB-2PG29 | |
| PG36 | G48B-SDR-LB-2PG36 | |
| M32 | G48B-SDR-LB-2M32 | |
| M40 | G48B-SDR-LB-2M40 | |



GE-018接插体 / GE-018 inserts



芯件适配用G10B外壳

Inserts suit for G10B hoods/housing

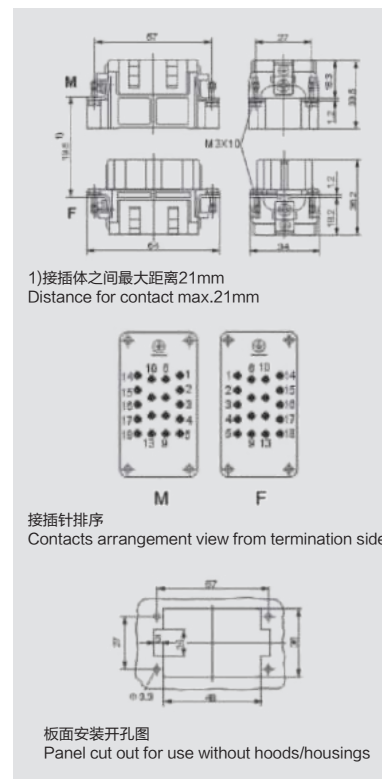
500V max.16A

18+

冷压针压接/Crimp terminal



| 插芯/Inserts | 型号/Type | 订货号/Part Number |
|------------|------------|-----------------|
| 公 Male | GE-018-MBZ | |
| 母 Female | GE-018-FBZ | |



管形预绝缘端头

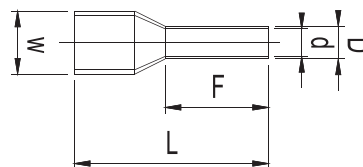


EV_ _ _

极限工作温度:105°C, Ui: 300V

端头材质: 紫铜管

绝缘材料: 乙烯基



| 型号 | 订货号 | 包装数 | 导线截面 (mm ²) | 预绝缘端头色标 | 尺寸(mm) | | | | |
|-----------|---------|------|-------------------------|---------|--------|------|-----|-----|-----|
| | | | | | F | L | D | d | W |
| EV0.5-10 | 5570103 | 1000 | 0.5 | (WH) | 10.0 | 16.0 | 1.3 | 1.0 | 2.6 |
| EV0.75-10 | 5570107 | 1000 | 0.75 | (BU) | 10.0 | 16.4 | 1.5 | 1.2 | 2.8 |
| EV1-10 | 5570111 | 1000 | 1.0 | (RD) | 10.0 | 16.4 | 1.7 | 1.4 | 3 |
| EV1.5-10 | 5570114 | 1000 | 1.5 | (BK) | 10.0 | 16.4 | 2.0 | 1.7 | 3.5 |
| EV2.5-10 | 5570118 | 1000 | 2.5 | (GY) | 10.0 | 17.4 | 2.6 | 2.2 | 4 |



| 型号 | 压接范围 | 订货号 |
|--------|--------------------------------------|-----------|
| CE-501 | 0.08~6.0mm ² (可调节压接范围) | 3 954 100 |



| 型号 | 压接范围 | 订货号 |
|--------|------------------------|-----------|
| CE-502 | 0.5~6.0mm ² | 3 954 101 |

G10B带双扣外壳 / G10B with 2 lever on the hoods/housings



底部外壳安装开孔尺寸/Housing mounting dimensions PAGE/390

表面粉末镀层, RAL 7037 / Powder-coated, RAL 7037

防护等级 Degree of protection : IP65

上壳 / Hoods

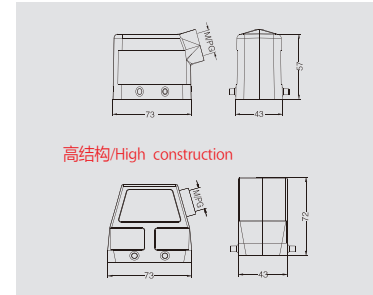
侧面进线 Side entry



| 螺纹 Thread | 型号/Type | 订货号 /Part Number |
|-----------|--------------|------------------|
| PG16 | G10B-TS-PG16 | |
| M20 | G10B-TS-M20 | |
| M25 | G10B-TS-M25 | |



| 高结构/High construction | | |
|-----------------------|---------------|--|
| PG21 | G10B-TSH-PG21 | |
| PG29 | G10B-TSH-PG29 | |
| M25 | G10B-TSH-M25 | |
| M32 | G10B-TSH-M32 | |



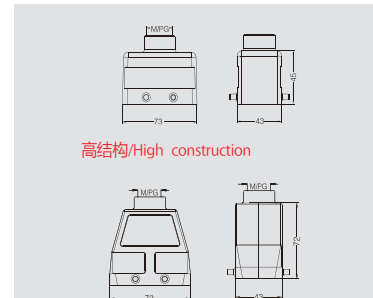
顶部进线 Top entry



| 螺纹 Thread | 型号/Type | 订货号 /Part Number |
|-----------|--------------|------------------|
| PG16 | G10B-TG-PG16 | |
| M20 | G10B-TG-M20 | |
| M25 | G10B-TG-M25 | |

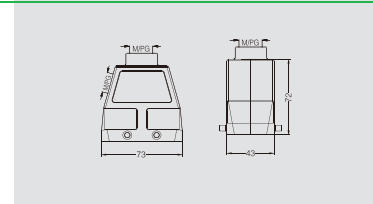


| 高结构/High construction | | |
|-----------------------|---------------|--|
| PG21 | G10B-TGH-PG21 | |
| PG29 | G10B-TGH-PG29 | |
| M25 | G10B-TG H-M25 | |
| M32 | G10B-TGH-M32 | |

上壳侧出线/顶出线
Hoods, side & top entry, high construction

我司可提供顶部、侧面同时出线的非标品
We can provide non-standard products with both top & side entry

型号为:G10-TSH/TGH-PG/M 如有需要请与我司联系



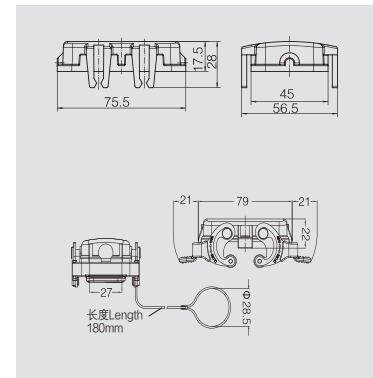
上壳保护盖 Protection covers for hoods



| 螺纹 Thread | 型号/Type | 订货号 /Part Number |
|-----------|----------|------------------|
| | G10B-KDT | |



| | | |
|--|-------------------------------|--|
| | 带金属保护盖 /With protection cover | |
| | 金属盖/用于上壳 For hoods | |
| | G10B-KD T-LA-1 | |
| | 金属盖/用于下壳 For housings | |
| | G10B-KD T-LA-2 | |

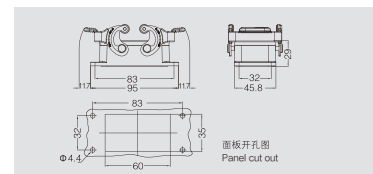


下壳底座 / Housings

外壳底座: 开孔安装 Bulkhead mounted



| 螺纹 Thread | 型号/Type | 订货号 /Part Number |
|-----------|---------|------------------|
| | G10B-AG | |



G10B带双扣外壳 / G10B with 2 lever on the hoods/housings



底部外壳安装开孔尺寸/Housing mounting dimensions PAGE/390

表面粉末镀层, RAL 7037 / Powder-coated, RAL 7037

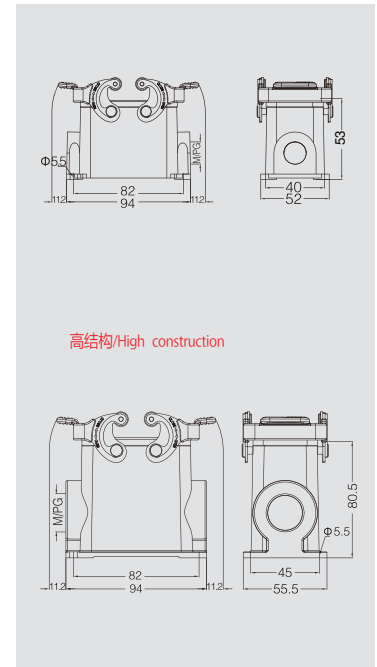
防护等级 Degree of protection : IP65

下壳底座 / Housings

外壳底座: 表面安装
Surface mounted: Side entry



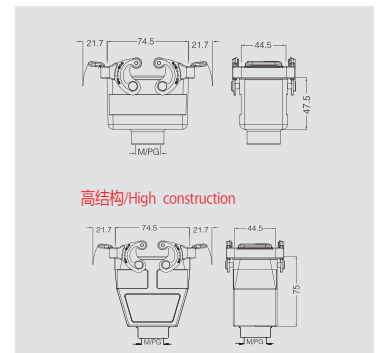
| 螺纹 Thread | 型号/Type | 订货号 /Part Number |
|-----------------------|-----------------|------------------|
| 1个进线孔 1 side entry | | |
| PG16 | G10B-SGR-PG16 | |
| M20 | G10B-SGR-M20 | |
| M25 | G10B-SGR-M25 | |
| 2个进线孔 2 side entry | | |
| PG16 | G10B-SGR-2PG16 | |
| M20 | G10B-SGR-2M20 | |
| M25 | G10B-SGR-2M25 | |
| 高结构/High construction | | |
| 1个进线孔 1 side entry | | |
| PG21 | G10B-SGRH-PG21 | |
| PG29 | G10B-SGRH-PG29 | |
| M32 | G10B-SGRH-M32 | |
| 2个进线孔 2 side entry | | |
| PG21 | G10B-SGRH-2PG21 | |
| PG29 | G10B-SGRH-2PG29 | |
| M32 | G10B-SGRH-2M32 | |



电缆对接下壳 Cable-to-cable hood



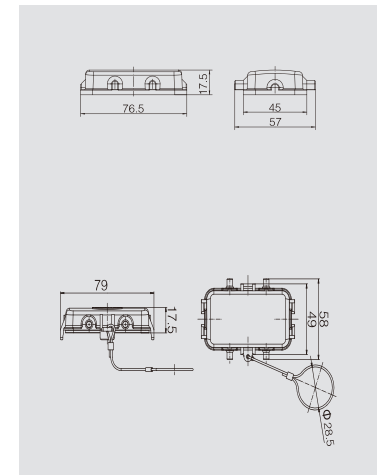
| 螺纹 Thread | 型号/Type | 订货号 /Part Number |
|-----------------------|----------------|------------------|
| PG16 | G10B-TBF-PG16 | |
| M20 | G10B-TBF-M20 | |
| M25 | G10B-TBF-M25 | |
| 高结构/High construction | | |
| PG21 | G10B-TBFH-PG21 | |
| PG29 | G10B-TBFH-PG29 | |
| M25 | G10B-TBFH-M25 | |
| M32 | G10B-TBFH-M32 | |



底座保护盖 Housing protection cover



| 螺纹 Thread | 型号/Type | 订货号 /Part Number |
|-------------------------------|--------------------|------------------|
| | G10B-KDB | |
| 带金属保护盖 /With protection cover | | |
| --- | 金属盖/用于上壳 For hoods | |
| | G10B-KDB-LA-1 | |
| 金属盖/用于下壳 For housings | | |
| | G10B-KDB-LA-2 | |



G10B带双扣外壳 / G10B with 2 lever on the hoods/housings



底部外壳安装开孔尺寸/Housing mounting dimensions PAGE/390

表面粉末镀层, RAL 7037 / Powder-coated, RAL 7037

防护等级 Degree of protection : IP65

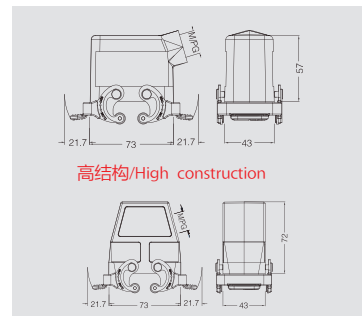
上壳 / Hoods

侧出带双扣上壳

Side entry housing with two levers



| 螺纹 Thread | 型号/Type | 订货号 /Part Number |
|------------------------------|----------------|------------------|
| PG16 | G10B-TSB-PG16 | |
| M20 | G10B-TSB-M20 | |
| M25 | G10B-TSB-M25 | |
| 高结构/High construction | | |
| PG21 | G10B-TSBH-PG21 | |
| PG29 | G10B-TSBH-PG29 | |
| M25 | G10B-TSBH-M25 | |
| M32 | G10B-TSBH-M32 | |

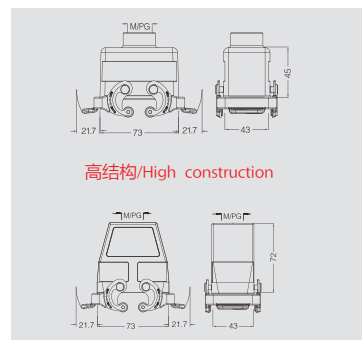


高结构/High construction

顶出带双扣上壳 Top entry housing with two levers



| 螺纹 Thread | 型号/Type | 订货号 /Part Number |
|------------------------------|----------------|------------------|
| PG16 | G10B-TGB-PG16 | |
| M20 | G10B-TGB-M20 | |
| M25 | G10B-TGB-M25 | |
| 高结构/High construction | | |
| PG21 | G10B-TGBH-PG21 | |
| PG29 | G10B-TGBH-PG29 | |
| M25 | G10B-TGBH-M25 | |
| M32 | G10B-TGBH-M32 | |



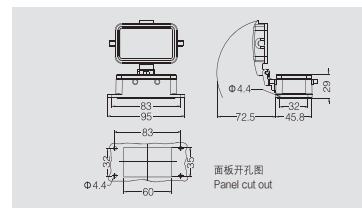
高结构/High construction

下壳底座 / Housings

带盖开孔底座 Bulkhead mounting



| 螺纹 Thread | 型号/Type | 订货号 /Part Number |
|-----------------------------------|------------|------------------|
| | G10B-AG-BO | |
| 带保护盖/with protection cover | | |
| | G10B-AD-BO | |

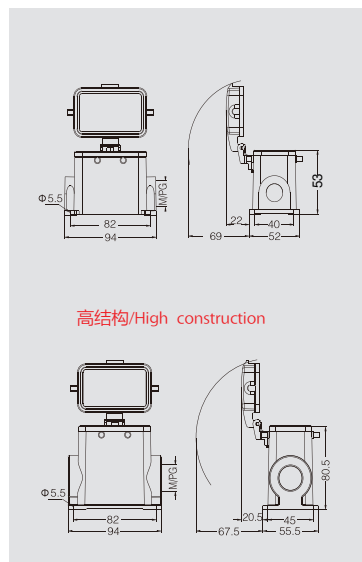
面板开孔图
Panel cut out

下壳底座 / Housings

带盖表面安装底座 Surface mounting



| 螺纹 Thread | 型号/Type | 订货号 /Part Number |
|-----------------------------------|--------------------|------------------|
| 带保护盖/with protection cover | | |
| 1个进线孔 1 side entry | | |
| PG16 | G10B-SDR-BO-PG16 | |
| M20 | G10B-SDR-BO-M20 | |
| M25 | G10B-SDR-BO-M25 | |
| 2个进线孔 2 side entry | | |
| PG16 | G10B-SDR-BO-2PG16 | |
| M20 | G10B-SDR-BO-2M20 | |
| M25 | G10B-SDR-BO-2M25 | |
| 高结构/High construction | | |
| 1个进线孔 1 side entry | | |
| PG21 | G10B-SDRH-BO-PG21 | |
| PG29 | G10B-SDRH-BO-PG29 | |
| M32 | G10B-SDRH-BO-M32 | |
| 2个进线孔 2 side entry | | |
| PG21 | G10B-SDRH-BO-2PG21 | |
| PG29 | G10B-SDRH-BO-2PG29 | |
| M32 | G10B-SDRH-BO-2M32 | |



高结构/High construction

G10B带单扣外壳 / G10B with 1 lever on the hoods/housings



底部外壳安装开孔尺寸/Housing mounting dimensions PAGE/390

表面粉末镀层, RAL 7037 / Powder-coated, RAL 7037

防护等级 Degree of protection : IP65

上壳 / Hoods

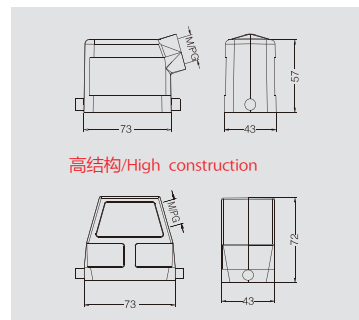
侧面进线 Side entry



| 螺纹 Thread | 型号/Type | 订货号 /Part Number |
|-----------|-----------------|------------------|
| PG16 | G10B-TS-RO-PG16 | |
| M20 | G10B-TS-RO-M20 | |
| M25 | G10B-TS-RO-M25 | |

高结构/High construction

| | | |
|------|------------------|--|
| PG21 | G10B-TSH-RO-PG21 | |
| PG29 | G10B-TSH-RO-PG29 | |
| M25 | G10B-TSH-RO-M25 | |
| M32 | G10B-TSH-RO-M32 | |



高结构/High construction

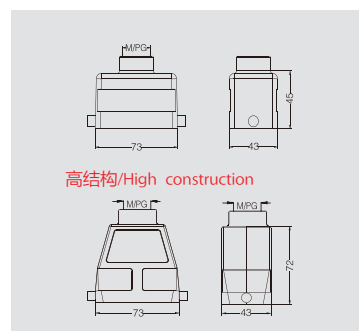
顶部进线 Top entry



| 螺纹 Thread | 型号/Type | 订货号 /Part Number |
|-----------|-----------------|------------------|
| PG16 | G10B-TG-RO-PG16 | |
| M20 | G10B-TG-RO-M20 | |
| M25 | G10B-TG-RO-M25 | |

高结构/High construction

| | | |
|------|------------------|--|
| PG21 | G10B-TGH-RO-PG21 | |
| PG29 | G10B-TGH-RO-PG29 | |
| M25 | G10B-TGH-RO-M25 | |
| M32 | G10B-TGH-RO-M32 | |



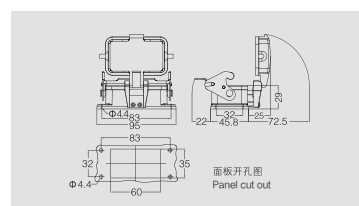
高结构/High construction

下壳底座 / Housings

外壳底座: 开孔安装 Bulkhead mounted



| 螺纹 Thread | 型号/Type | 订货号 /Part Number |
|-----------|----------------------------|------------------|
| | G10B-AG-LB | |
| | 带保护盖/with protection cover | |
| | G10B-AD-LB | |
| | 上壳保护盖/protection cover | |
| | G10B-KDT-LB | |

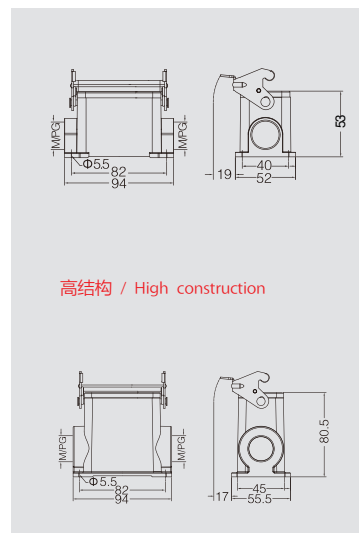


面板开孔图
Panel cut out

外壳底座: 表面安装 Surface mounted: Side entry



| 螺纹 Thread | 型号/Type | 订货号 /Part Number |
|-------------------------|--------------------|------------------|
| 1个进线孔1 side entry | | |
| PG16 | G10B-SGR-LB-PG16 | |
| M20 | G10B-SGR-LB-M20 | |
| M25 | G10B-SGR-LB-M25 | |
| 2个进线孔2 side entry | | |
| PG16 | G10B-SGR-LB-2PG16 | |
| M20 | G10B-SGR-LB-2M20 | |
| M25 | G10B-SGR-LB-2M25 | |
| 高结构 / High construction | | |
| 1个进线孔1 side entry | | |
| PG21 | G10B-SGRH-LB-PG21 | |
| PG29 | G10B-SGRH-LB-PG29 | |
| M32 | G10B-SGRH-LB-M32 | |
| 2个进线孔2 side entry | | |
| PG21 | G10B-SGRH-LB-2PG21 | |
| PG29 | G10B-SGRH-LB-2PG29 | |
| M32 | G10B-SGRH-LB-2M32 | |



高结构 / High construction

G10B带单扣外壳 / G10B with 1 lever on the hoods/housings



底部外壳安装开孔尺寸/Housing mounting dimensions PAGE/390

表面粉末镀层, RAL 7037 / Powder-coated, RAL 7037

防护等级 Degree of protection : IP65

下壳底座 / Housings

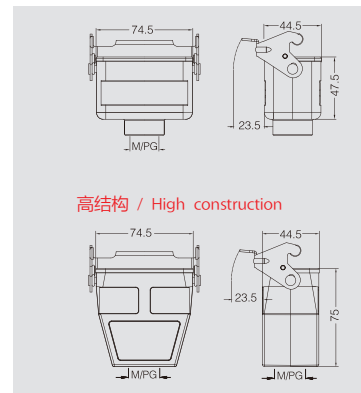
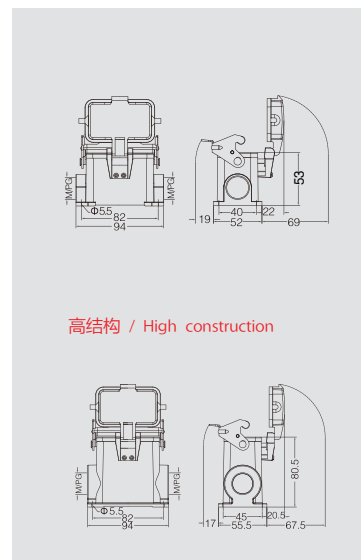
带保护盖表面安装
Surface mounted with protection cover

电缆对接下壳 Cable-to-cable hood



| 螺纹 Thread | 型号/Type | 订货号 /Part Number |
|------------------------------------|--------------------|------------------|
| 带保护盖 /with protection cover | | |
| 1个进线孔1 side entry | | |
| PG16 | G10B-SDR-LB-PG16 | |
| M20 | G10B-SDR-LB-M20 | |
| M25 | G10B-SDR-LB-M25 | |
| 2个进线孔2 side entry | | |
| PG16 | G10B-SDR-LB-2PG16 | |
| M20 | G10B-SDR-LB-2M20 | |
| M25 | G10B-SDR-LB-2M25 | |
| 高结构 / High construction | | |
| 1个进线孔1 side entry | | |
| PG21 | G10B-SDRH-LB-PG21 | |
| PG29 | G10B-SDRH-LB-PG29 | |
| M32 | G10B-SDRH-LB-M32 | |
| 2个进线孔2 side entry | | |
| PG21 | G10B-SDRH-LB-2PG21 | |
| PG29 | G10B-SDRH-LB-2PG29 | |
| M32 | G10B-SDRH-LB-2M32 | |

| 螺纹 Thread | 型号/Type | 订货号 /Part Number |
|--------------------------------|-------------------|------------------|
| PG16 | G10B-TBF-LB-PG16 | |
| M20 | G10B-TBF-LB-M20 | |
| M25 | G10B-TBF-LB-M25 | |
| 高结构 / High construction | | |
| PG21 | G10B-TBFH-LB-PG21 | |
| PG29 | G10B-TBFH-LB-PG29 | |
| M25 | G10B-TBFH-LB-M25 | |
| M32 | G10B-TBFH-LB-M32 | |



G10B 耐腐蚀外壳 Metal Hoods & Housings For higher environmental requirements



底部外壳安装开孔尺寸/Housing mounting dimensions PAGE/390

表面粉末镀层, RAL 9005 / Powder-coated, RAL 9005

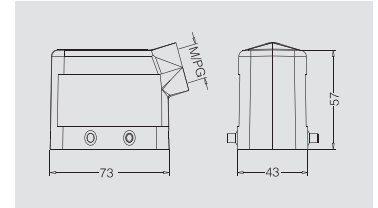
防护等级 Degree of protection : IP65

上壳 / Hoods

侧面进线 Side entry



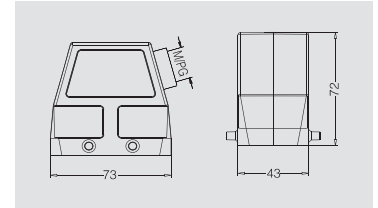
| 螺纹 Thread | 型号/Type | 订货号 /Part Number |
|-----------|----------------|------------------|
| M20 | G10B-TS-M-M20 | |
| PG16 | G10B-TS-M-PG16 | |



侧出线高结构 side entry, high construction



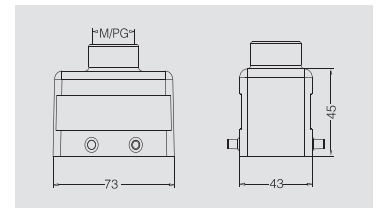
| 螺纹 Thread | 型号/Type | 订货号 /Part Number |
|-----------|----------------|------------------|
| M25 | G10B-TSH-M-M25 | |



顶部进线 Top entry



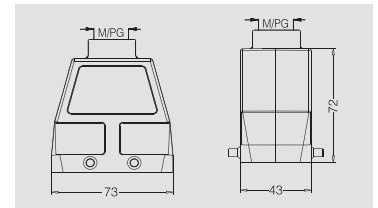
| 螺纹 Thread | 型号/Type | 订货号 /Part Number |
|-----------|----------------|------------------|
| M20 | G10B-TG-M-M20 | |
| PG16 | G10B-TG-M-PG16 | |



顶出线高结构 top entry, high construction



| 螺纹 Thread | 型号/Type | 订货号 /Part Number |
|-----------|----------------|------------------|
| M32 | G10B-TGH-M-M32 | |

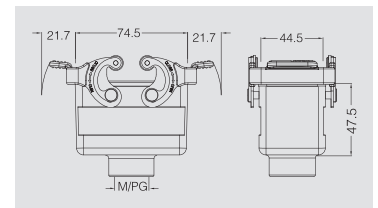


下壳底座 / Housings

电缆对接下壳 Cable-to-cable hood



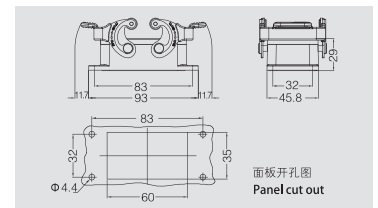
| 螺纹 Thread | 型号/Type | 订货号 /Part Number |
|-----------|-----------------|------------------|
| PG16 | G10B-TBF-M-PG16 | |



外壳底座: 开孔安装 Bulkhead mounted



| 螺纹 Thread | 型号/Type | 订货号 /Part Number |
|-----------|-----------|------------------|
| --- | G10B-AG-M | |



G10B 耐腐蚀外壳 Metal Hoods & Housings For higher environmental requirements



底部外壳安装开孔尺寸/Housing mounting dimensions PAGE/390

表面粉末镀层, RAL 9005 / Powder-coated, RAL 9005

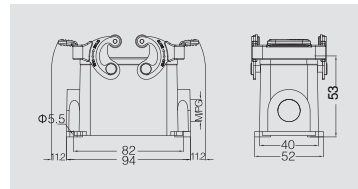
防护等级 Degree of protection : IP65

下壳底座 / Housings

外壳底座: 表面安装 Surface mounted: Side entry



| 螺纹 Thread | 型号/Type | 订货号 /Part Number |
|-----------|-----------------|------------------|
| PG16 | G10B-SGR-M-PG16 | |
| M20 | G10B-SGR-M-M20 | |

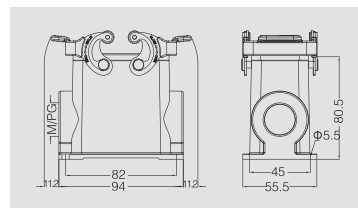


外壳底座: 表面安装

Surface mounted: Side entry



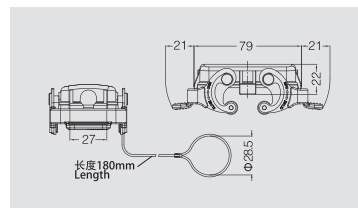
| 螺纹 Thread | 型号/Type | 订货号 /Part Number |
|-----------|-----------------|------------------|
| M32 | G10B-SGRH-M-M32 | |



上壳保护盖 Protection covers for hoods



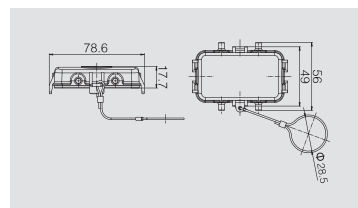
| 螺纹 Thread | 型号/Type | 订货号 /Part Number |
|-----------|------------------------------|------------------|
| | 金属盖/用于上壳 For hoods | |
| | G10B-KDT-LA-M-1 | |
| | 金属盖/用于下壳 For housings | |
| | G10B-KDT-LA-M-2 | |



底座保护盖 Housing protection cover



| 螺纹 Thread | 型号/Type | 订货号 /Part Number |
|-----------|------------------------------|------------------|
| --- | 金属盖/用于上壳 For hoods | |
| | G10B-KDB-LA-M-1 | |
| | 金属盖/用于下壳 For housings | |
| | G10B-KDB-LA-M-2 | |



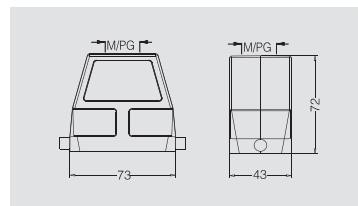
上壳 / Hoods

防护等级 Degree of protection : IP65 单扣

顶部进线 Top entry



| 螺纹 Thread | 型号/Type | 订货号 /Part Number |
|-----------|-------------------|------------------|
| M32 | G10B-TGH-RO-M-M32 | |



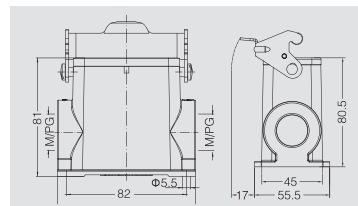
下壳底座 / Housings

外壳底座: 表面安装

Surface mounted: Side entry



| 螺纹 Thread | 型号/Type | 订货号 /Part Number |
|-----------|--------------------|------------------|
| M25 | G10B-SGRH-LB-M-M25 | |



GE-032接插体 / GE-032 inserts



芯件适配用G16B外壳

Inserts suit for G16B hoods/housing

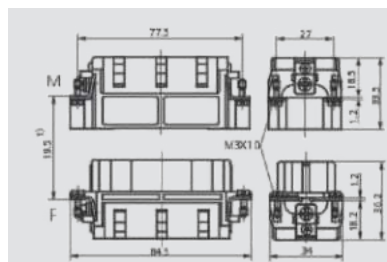
500V max.16A

32+

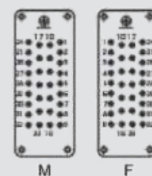
冷压针压接/Crimp terminal



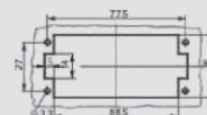
| 插芯/Inserts | 型号/Type | 订货号/Part Number |
|------------|------------|-----------------|
| 公 Male | GE-032-MBZ | |
| 母 Female | GE-032-FBZ | |



1)接插体之间最大距离21mm
Distance for contact max.21mm



接插针排序
Contacts arrangement view from termination side



板面安装开孔图
Panel cut out for use without hoods/housings

管形预绝缘端头

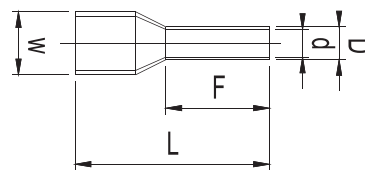


EV_ _ _

极限工作温度:105℃, Ui: 300V

端头材质: 紫铜管

绝缘材料: 乙烯基



| 型号 | 订货号 | 包装数 | 导线截面 (mm ²) | 预绝缘端头色标 | 尺寸(mm) | | | | |
|-----------|---------|------|-------------------------|---------|--------|------|-----|-----|-----|
| | | | | | F | L | D | d | W |
| EV0.5-10 | 5570103 | 1000 | 0.5 | (WH) | 10.0 | 16.0 | 1.3 | 1.0 | 2.6 |
| EV0.75-10 | 5570107 | 1000 | 0.75 | (BU) | 10.0 | 16.4 | 1.5 | 1.2 | 2.8 |
| EV1-10 | 5570111 | 1000 | 1.0 | (RD) | 10.0 | 16.4 | 1.7 | 1.4 | 3 |
| EV1.5-10 | 5570114 | 1000 | 1.5 | (BK) | 10.0 | 16.4 | 2.0 | 1.7 | 3.5 |
| EV2.5-10 | 5570118 | 1000 | 2.5 | (GY) | 10.0 | 17.4 | 2.6 | 2.2 | 4 |



| 型号 | 压接范围 | 订货号 |
|--------|--------------------------------------|-----------|
| CE-501 | 0.08~6.0mm ² (可调节压接范围) | 3 954 100 |



| 型号 | 压接范围 | 订货号 |
|--------|------------------------|-----------|
| CE-502 | 0.5~6.0mm ² | 3 954 101 |

G16B 双扣外壳 /G16B with 2 lever on the hoods/housings



底部外壳安装开孔尺寸/Housing mounting dimensions PAGE/390

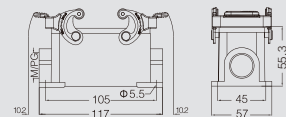
表面粉末镀层, RAL 7037 / Powder-coated, RAL 7037

防护等级 Degree of protection : IP65

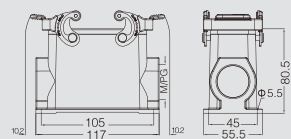
下壳底座 / Housings

外壳底座: 表面安装
Surface mounted: Side entry

| 螺纹 Thread | 型号/Type | 订货号 /Part Number |
|-----------------------|-----------------|------------------|
| 1个进线孔 1 side entry | | |
| PG21 | G16B-SGR-PG21 | |
| M25 | G16B-SGR-M25 | |
| 2个进线孔 2 side entry | | |
| PG21 | G16B-SGR-2PG21 | |
| M25 | G16B-SGR-2M25 | |
| 高结构/High construction | | |
| PG29 | G16B-SGRH-PG29 | |
| M32 | G16B-SGRH-M32 | |
| M40 | G16B-SGRH-M40 | |
| 2个进线孔 2 side entry | | |
| PG29 | G16B-SGRH-2PG29 | |
| M32 | G16B-SGRH-2M32 | |
| M40 | G16B-SGRH-2M40 | |



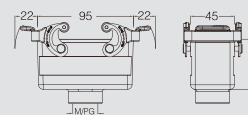
高结构/High construction



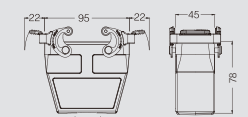
电缆对接下壳 Cable-to-cable hood



| 螺纹 Thread | 型号/Type | 订货号 /Part Number |
|-----------------------|----------------|------------------|
| PG21 | G16B-TBF-PG21 | |
| M25 | G16B-TBF-M25 | |
| M32 | G16B-TBF-M32 | |
| 高结构/High construction | | |
| PG21 | G16B-TBFH-PG21 | |
| PG29 | G16B-TBFH-PG29 | |
| M25 | G16B-TBFH-M25 | |
| M32 | G16B-TBFH-M32 | |



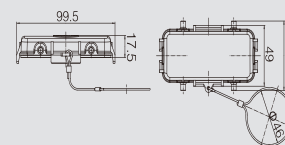
高结构/High construction



底座保护盖 Housing protection cover



| 螺纹 Thread | 型号/Type | 订货号 /Part Number |
|------------------------------|--------------------|------------------|
| | G16B-KDB | |
| 金属保护盖 /With protection cover | | |
| --- | 金属盖/用于上壳 For hoods | |
| | G16B-KDB-LA-1 | |
| 金属盖/用于下壳 For housings | | |
| | G16B-KDB-LA-2 | |



G16B单扣外壳 /G16B with 1 lever on the hoods/housings



底部外壳安装开孔尺寸/Housing mounting dimensions PAGE/390

表面粉末镀层, RAL 7037 / Powder-coated,RAL 7037

防护等级 Degree of protection : IP65

上壳 / Hoods

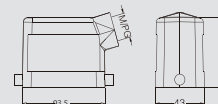
侧面进线 Side entry



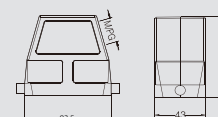
| 螺纹 Thread | 型号/Type | 订货号 /Part Number |
|-----------|-----------------|------------------|
| PG21 | G16B-TS-RO-PG21 | |
| M25 | G16B-TS-RO-M25 | |
| M32 | G16B-TS-RO-M32 | |



| 高结构/High construction | | |
|-----------------------|------------------|--|
| PG21 | G16B-TSH-RO-PG21 | |
| PG29 | G16B-TSH-RO-PG29 | |
| M25 | G16B-TSH-RO-M25 | |
| M32 | G16B-TSH-RO-M32 | |
| M40 | G16B-TSH-RO-M40 | |



高结构/High construction



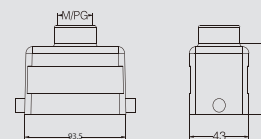
顶部进线 Top entry



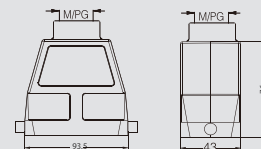
| 螺纹 Thread | 型号/Type | 订货号 /Part Number |
|-----------|-----------------|------------------|
| PG21 | G16B-TG-RO-PG21 | |
| M25 | G16B-TG-RO-M25 | |
| M32 | G16B-TG-RO-M32 | |



| 高结构/High construction | | |
|-----------------------|------------------|--|
| PG21 | G16B-TGH-RO-PG21 | |
| PG29 | G16B-TGH-RO-PG29 | |
| M25 | G16B-TGH-RO-M25 | |
| M32 | G16B-TGH-RO-M32 | |
| M40 | G16B-TGH-RO-M40 | |



高结构/High construction

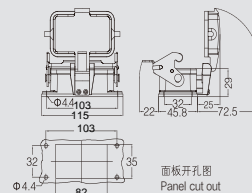


下壳底座 / Housings

外壳底座: 开孔安装 Bulkhead mounted



| 螺纹 Thread | 型号/Type | 订货号 /Part Number |
|-----------|---------------------------|------------------|
| | G16B-AG-LB | |
| | 带保护盖/ith protection cover | |
| | G16B-AD-LB | |
| | 上壳保护盖/protection cover | |
| | G16B-KDT-LB | |



G16B单扣外壳 /G16B with 1 lever on the hoods/housings



底部外壳安装开孔尺寸/Housing mounting dimensions PAGE/390

表面粉末镀层, RAL 7037 / Powder-coated, RAL 7037

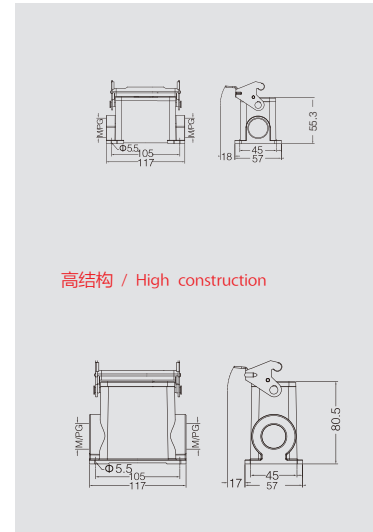
防护等级 Degree of protection : IP65

下壳底座 / Housings

外壳底座: 表面安装
Surface mounted: Side entry



| 螺纹 Thread | 型号/Type | 订货号 /Part Number |
|-------------------------|--------------------|------------------|
| 1个进线孔1 side entry | | |
| PG21 | G16B-SGR-LB-PG21 | |
| M25 | G16B-SGR-LB-M25 | |
| 2个进线孔2 side entry | | |
| 2PG21 | G16B-SGR-LB-2PG21 | |
| 2M25 | G16B-SGR-LB-2M25 | |
| 高结构 / High construction | | |
| 1个进线孔1 side entry | | |
| PG21 | G16B-SGRH-LB-PG21 | |
| PG29 | G16B-SGRH-LB-PG29 | |
| M32 | G16B-SGRH-LB-M32 | |
| 2个进线孔2 side entry | | |
| PG21 | G16B-SGRH-LB-2PG21 | |
| PG29 | G16B-SGRH-LB-2PG29 | |
| M32 | G16B-SGRH-LB-2M32 | |

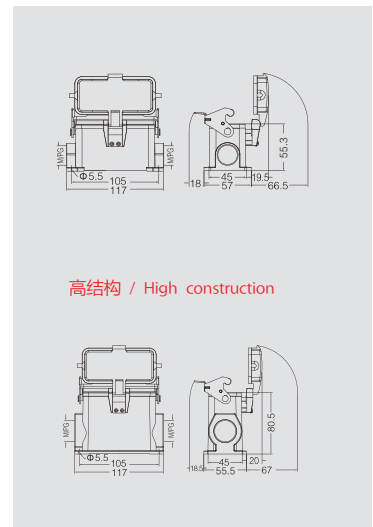


下壳底座 / Housings

带盖表面安装底座 Surface mounting



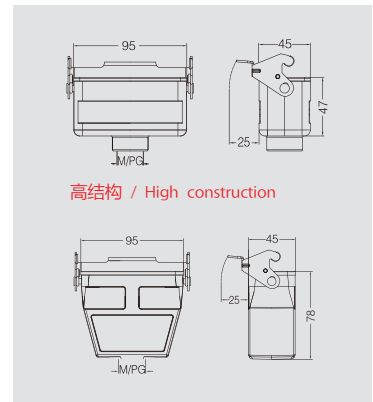
| 螺纹 Thread | 型号/Type | 订货号 /Part Number |
|-------------------------|--------------------|------------------|
| 1个进线孔1 side entry | | |
| PG21 | G16B-SDR-LB-PG21 | |
| M25 | G16B-SDR-LB-M25 | |
| 2个进线孔2 side entry | | |
| 2PG21 | G16B-SDR-LB-2PG21 | |
| 2M25 | G16B-SDR-LB-2M25 | |
| 高结构 / High construction | | |
| 1个进线孔1 side entry | | |
| PG21 | G16B-SDRH-LB-PG21 | |
| PG29 | G16B-SDRH-LB-PG29 | |
| M32 | G16B-SDRH-LB-M32 | |
| 2个进线孔2 side entry | | |
| PG21 | G16B-SDRH-LB-2PG21 | |
| PG29 | G16B-SDRH-LB-2PG29 | |
| M32 | G16B-SDRH-LB-2M32 | |



电缆对接下壳 Cable-to-cable hood



| 螺纹 Thread | 型号/Type | 订货号 /Part Number |
|-------------------------|-------------------|------------------|
| PG21 | G16B-TBF-LB-PG21 | |
| M25 | G16B-TBF-LB-M25 | |
| M32 | G16B-TBF-LB-M32 | |
| 高结构 / High construction | | |
| PG21 | G16B-TBFH-LB-PG21 | |
| PG29 | G16B-TBFH-LB-PG29 | |
| M32 | G16B-TBFH-LB-M32 | |
| M40 | G16B-TBFH-LB-M40 | |



G16B 耐腐蚀外壳 Metal Hoods & Housings For higher environmental requirements



底部外壳安装开孔尺寸/Housing mounting dimensions PAGE/390

表面粉末镀层, RAL 9005 / Powder-coated, RAL 9005

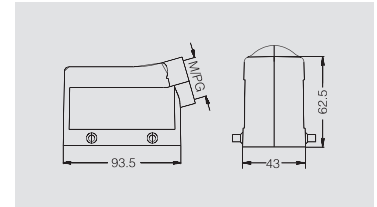
防护等级 Degree of protection : IP65

上壳 / Hoods

侧面进线 Side entry



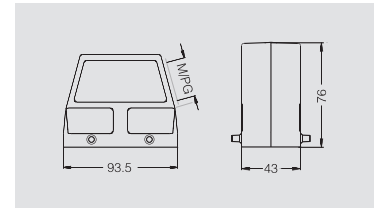
| 螺纹 Thread | 型号/Type | 订货号 /Part Number |
|-----------|----------------|------------------|
| PG21 | G16B-TS-M-PG21 | |
| M25 | G16B-TS-M-M25 | |



侧出线高结构 side entry, high construction



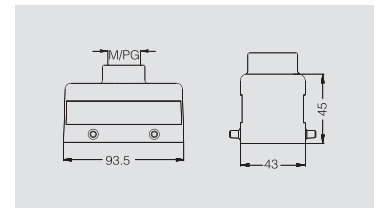
| 螺纹 Thread | 型号/Type | 订货号 /Part Number |
|-----------|-----------------|------------------|
| PG29 | G16B-TSH-M-PG29 | |
| M32 | G16B-TSH-M-M32 | |
| M40 | G16B-TSH-M-M40 | |



顶部进线 Top entry



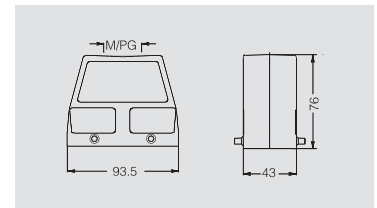
| 螺纹 Thread | 型号/Type | 订货号 /Part Number |
|-----------|----------------|------------------|
| PG21 | G16B-TG-M-PG21 | |
| M25 | G16B-TG-M-M25 | |



顶出线高结构 top entry, high construction



| 螺纹 Thread | 型号/Type | 订货号 /Part Number |
|-----------|-----------------|------------------|
| PG29 | G16B-TGH-M-PG29 | |
| M32 | G16B-TGH-M-M32 | |

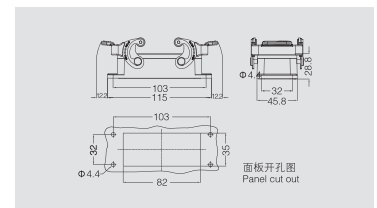


下壳底座 / Housings

外壳底座: 开孔安装 Bulkhead mounted



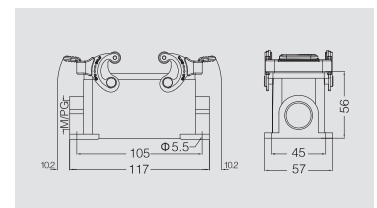
| 螺纹 Thread | 型号/Type | 订货号 /Part Number |
|-----------|-----------|------------------|
| --- | G16B-AG-M | |



外壳底座: 表面安装 Surface mounted: Side entry



| 螺纹 Thread | 型号/Type | 订货号 /Part Number |
|-----------|-----------------|------------------|
| PG21 | G16B-SGR-M-PG21 | |
| M25 | G16B-SGR-M-M25 | |



G16B耐腐蚀外壳 Metal Hoods & Housings For higher environmental requirements



底部外壳安装开孔尺寸/Housing mounting dimensions PAGE/390

表面粉末镀层, RAL 9005 / Powder-coated, RAL 9005

防护等级 Degree of protection : IP65

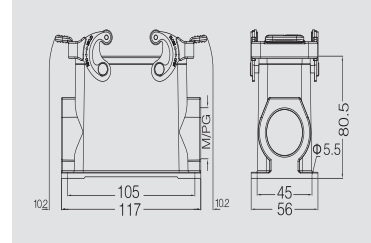
下壳底座 / Housings

封底下壳高结构

Housings, surface mounting, high construction



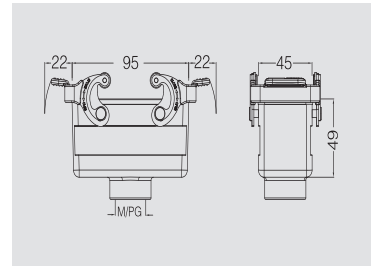
| 螺纹 Thread | 型号/Type | 订货号 /Part Number |
|-----------|-------------------|------------------|
| 2PG29 | G16B-SGRH-M-2PG29 | |
| 2M32 | G16B-SGRH-M-2M32 | |
| 2M40 | G16B-SGRH-M-2M40 | |



电缆对接下壳 Cable-to-cable hood



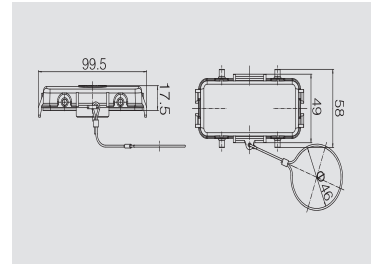
| 螺纹 Thread | 型号/Type | 订货号 /Part Number |
|-----------|-----------------|------------------|
| PG21 | G16B-TBF-M-PG21 | |



底座保护盖 Housing protection cover



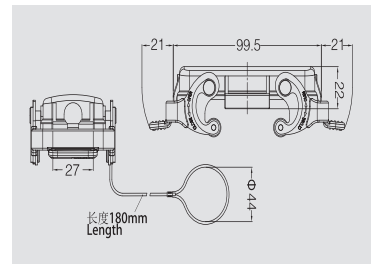
| 螺纹 Thread | 型号/Type | 订货号 /Part Number |
|-----------|-----------------------|------------------|
| | 金属盖/用于上壳 For hoods | |
| | G16B-KDB-LA-M-1 | |
| | 金属盖/用于下壳 For housings | |
| | G16B-KDB-LA-M-2 | |



上壳保护盖 Protection covers for hoods



| 螺纹 Thread | 型号/Type | 订货号 /Part Number |
|-----------|-----------------------|------------------|
| | 金属盖/用于上壳 For hoods | |
| | G16B-KDT-LA-M-1 | |
| | 金属盖/用于下壳 For housings | |
| | G16B-KDT-LA-M-2 | |



GE-046接插体 / GE-046 inserts



芯件适配用G24B外壳
Inserts suit for G24B hoods/housing

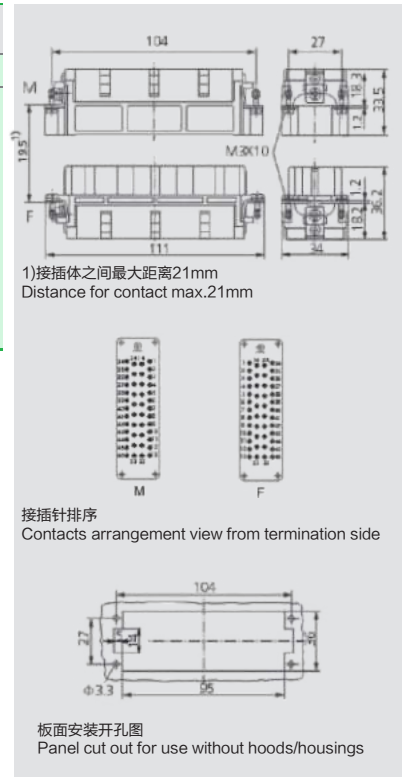
500V max.16A

46+

冷压针压接/Crimp terminal



| 插芯/Inserts | 型号/Type | 订货号/Part Number |
|------------|------------|-----------------|
| 公 Male | GE-046-MBZ | |
| 母 Female | GE-046-FBZ | |



管形预绝缘端头

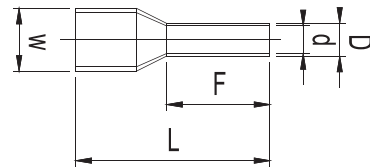


EV_---

极限工作温度:105°C, Ui: 300V

端头材质: 紫铜管

绝缘材料: 乙烯基



| 型号 | 订货号 | 包装数 | 导线截面 (mm ²) | 预绝缘端头色标 | 尺寸(mm) | | | | |
|-----------|---------|------|-------------------------|---------|--------|------|-----|-----|-----|
| | | | | | F | L | D | d | W |
| EV0.5-10 | 5570103 | 1000 | 0.5 | (WH) | 10.0 | 16.0 | 1.3 | 1.0 | 2.6 |
| EV0.75-10 | 5570107 | 1000 | 0.75 | (BU) | 10.0 | 16.4 | 1.5 | 1.2 | 2.8 |
| EV1-10 | 5570111 | 1000 | 1.0 | (RD) | 10.0 | 16.4 | 1.7 | 1.4 | 3 |
| EV1.5-10 | 5570114 | 1000 | 1.5 | (BK) | 10.0 | 16.4 | 2.0 | 1.7 | 3.5 |
| EV2.5-10 | 5570118 | 1000 | 2.5 | (GY) | 10.0 | 17.4 | 2.6 | 2.2 | 4 |



| 型号 | 压接范围 | 订货号 |
|--------|--------------------------------------|-----------|
| CE-501 | 0.08~6.0mm ² (可调节压接范围) | 3 954 100 |

| 型号 | 压接范围 | 订货号 |
|--------|------------------------|-----------|
| CE-502 | 0.5~6.0mm ² | 3 954 101 |

G24B 双扣外壳 /G24B with 2 lever on the hoods/housings



底部外壳安装开孔尺寸/Housing mounting dimensions PAGE/390

表面粉末镀层, RAL 7037 / Powder-coated, RAL 7037

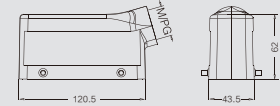
防护等级 Degree of protection : IP65

上壳 / Hoods

侧面进线 Side entry



| 螺纹 Thread | 型号/Type | 订货号 /Part Number |
|-----------|--------------|------------------|
| PG21 | G24B-TS-PG21 | |
| M25 | G24B-TS-M25 | |
| M32 | G24B-TS-M32 | |



高结构/High construction



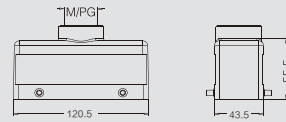
| 螺纹 Thread | 型号/Type | 订货号 /Part Number |
|-----------|---------------|------------------|
| PG21 | G24B-TSH-PG21 | |
| PG29 | G24B-TSH-PG29 | |
| M25 | G24B-TSH-M25 | |
| M32 | G24B-TSH-M32 | |
| M40 | G24B-TSH-M40 | |



顶部进线 Top entry



| 螺纹 Thread | 型号/Type | 订货号 /Part Number |
|-----------|--------------|------------------|
| PG21 | G24B-TG-PG21 | |
| M25 | G24B-TG-M25 | |
| M32 | G24B-TG-M32 | |



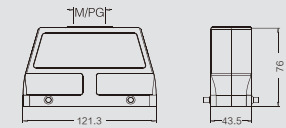
高结构/High construction



| 螺纹 Thread | 型号/Type | 订货号 /Part Number |
|-----------|---------------|------------------|
| PG21 | G24B-TGH-PG21 | |
| PG29 | G24B-TGH-PG29 | |
| M25 | G24B-TGH-M25 | |
| M32 | G24B-TGH-M32 | |
| M40 | G24B-TGH-M40 | |

上壳侧出线/顶出线
Hoods, side & top entry, high construction我可提供顶部、侧面同时出线的非标品
We can provide non-standard products with both top & side entry

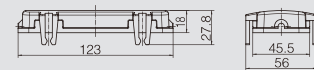
型号为:G24B-TSH/TGH-PG/M 如有需要请与我司联系



上壳保护盖 Protection covers for hoods



| 螺纹 Thread | 型号/Type | 订货号 /Part Number |
|-----------|----------|------------------|
| | G24B-KDT | |



带金属保护盖/With protection cover

金属盖/用于上壳 For hoods

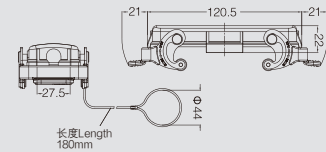


G24B-KDT-LA-1

金属盖/用于下壳 For housings



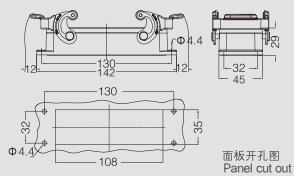
G24B-KDT-LA-2



下壳底座 / Housings

外壳底座:开孔安装
Bulkhead mounted

| 螺纹 Thread | 型号/Type | 订货号 /Part Number |
|-----------|---------|------------------|
| | G24B-AG | |

面板开孔图
Panel cut out

G24B 双扣外壳 /G24B with 2 lever on the hoods/housings



底部外壳安装开孔尺寸/Housing mounting dimensions PAGE/390

表面粉末镀层, RAL 7037 / Powder-coated, RAL 7037

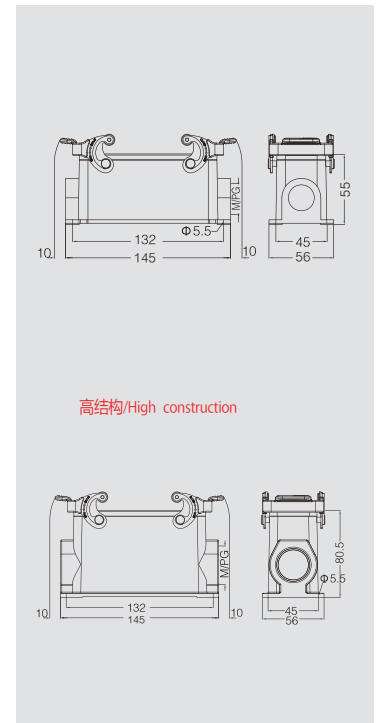
防护等级 Degree of protection : IP65

下壳底座 / Housings

外壳底座: 表面安装
Surface mounted: Side entry



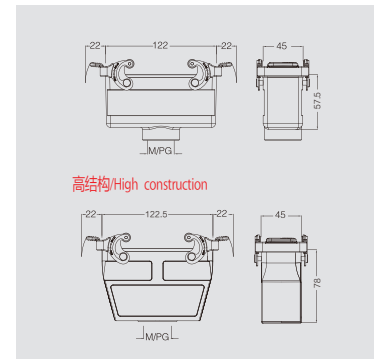
| 螺纹 Thread | 型号/Type | 订货号 /Part Number |
|------------------------------|-----------------|------------------|
| 1个进线孔 1 side entry | | |
| PG21 | G24B-SGR-PG21 | |
| M25 | G24B-SGR-M25 | |
| 2个进线孔 2 side entry | | |
| PG21 | G24B-SGR-2PG21 | |
| M25 | G24B-SGR-2M25 | |
| 高结构/High construction | | |
| PG21 | G24B-SGRH-PG21 | |
| PG29 | G24B-SGRH-PG29 | |
| M32 | G24B-SGRH-M32 | |
| M40 | G24B-SGRH-M40 | |
| 2个进线孔 2 side entry | | |
| PG21 | G24B-SGRH-2PG21 | |
| PG29 | G24B-SGRH-2PG29 | |
| M32 | G24B-SGRH-2M32 | |
| M40 | G24B-SGRH-2M40 | |



电缆对接下壳 Cable-to-cable hood



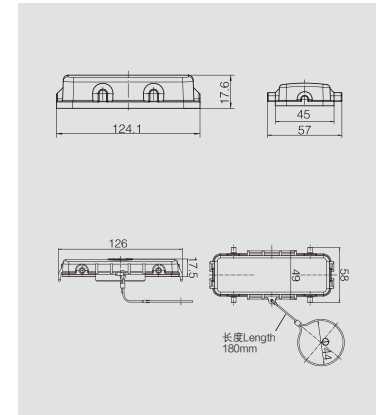
| 螺纹 Thread | 型号/Type | 订货号 /Part Number |
|------------------------------|----------------|------------------|
| PG21 | G24B-TBF-PG21 | |
| M25 | G24B-TBF-M25 | |
| M32 | G24B-TBF-M32 | |
| 高结构/High construction | | |
| PG21 | G24B-TBFH-PG21 | |
| PG29 | G24B-TBFH-PG29 | |
| M32 | G24B-TBFH-M32 | |
| M40 | G24B-TBFH-M40 | |



底座保护盖 Housing protection cover



| 螺纹 Thread | 型号/Type | 订货号 /Part Number |
|-------------------------------------|---------------|------------------|
| | G24B-KDB | |
| 金属保护盖 /With protection cover | | |
| 金属盖/用于上壳 For hoods | | |
| | G24B-KDB-LA-1 | |
| 金属盖/用于下壳 For housings | | |
| | G24B-KDB-LA-2 | |



G24B 双扣外壳 /G24B with 2 lever on the hoods/housings



底部外壳安装开孔尺寸/Housing mounting dimensions PAGE/390

表面粉末镀层, RAL 7037 / Powder-coated, RAL 7037

防护等级 Degree of protection : IP65

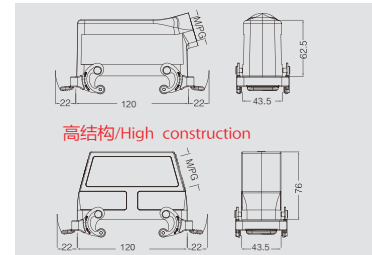
上壳 / Hoods

侧出带双扣下壳

Side entry housing with two levers



| 螺纹 Thread | 型号/Type | 订货号 /Part Number |
|-----------------------|----------------|------------------|
| PG21 | G24B-TSB-PG21 | |
| M25 | G24B-TSB-M25 | |
| M32 | G24B-TSB-M32 | |
| 高结构/High construction | | |
| PG21 | G24B-TSBH-PG21 | |
| PG29 | G24B-TSBH-PG29 | |
| M25 | G24B-TSBH-M25 | |
| M32 | G24B-TSBH-M32 | |
| M40 | G24B-TSBH-M40 | |

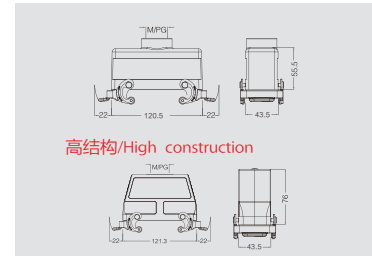


顶出带双扣下壳

Top entry housing with two levers



| 螺纹 Thread | 型号/Type | 订货号 /Part Number |
|-----------------------|----------------|------------------|
| PG21 | G24B-TGB-PG21 | |
| M25 | G24B-TGB-M25 | |
| M32 | G24B-TGB-M32 | |
| 高结构/High construction | | |
| PG21 | G24B-TGBH-PG21 | |
| PG29 | G24B-TGBH-PG29 | |
| M25 | G24B-TGBH-M25 | |
| M32 | G24B-TGBH-M32 | |
| M40 | G24B-TGBH-M40 | |

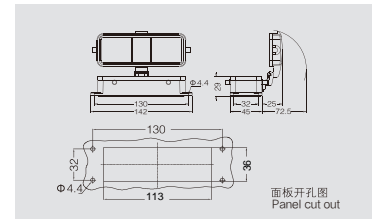


双扣带盖开孔底座

Bulkhead mounting with hoods



| 螺纹 Thread | 型号/Type | 订货号 /Part Number |
|------------------------------|---------------|------------------|
| | G24B-AG-BO | |
| 带保护盖/with protection cover | | |
| | G24B-AD-BO | |
| 带金属保护盖/with protection cover | | |
| | G24B-AD-LA-BO | |



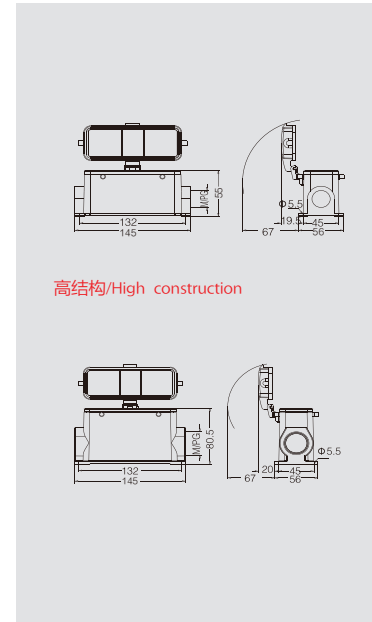
下壳底座 / Housings

双扣带盖表面安装底座

Surface mounting with hoods



| 螺纹 Thread | 型号/Type | 订货号 /Part Number |
|----------------------------|--------------------|------------------|
| 带保护盖/with protection cover | | |
| 1个进线孔 1 side entry | | |
| PG21 | G24B-SDR-BO-PG21 | |
| M25 | G24B-SDR-BO-M25 | |
| 2个进线孔 2 side entry | | |
| PG21 | G24B-SDR-BO-2PG21 | |
| M25 | G24B-SDR-BO-2M25 | |
| 高结构/High construction | | |
| 1个进线孔 1 side entry | | |
| PG21 | G24B-SDRH-BO-PG21 | |
| PG29 | G24B-SDRH-BO-PG29 | |
| M32 | G24B-SDRH-BO-M32 | |
| M40 | G24B-SDRH-BO-M40 | |
| 2个进线孔 2 side entry | | |
| PG21 | G24B-SDRH-BO-2PG21 | |
| PG29 | G24B-SDRH-BO-2PG29 | |
| M32 | G24B-SDRH-BO-2M32 | |
| M40 | G24B-SDRH-BO-2M40 | |



G24B单扣外壳 /G24B with 1 lever on the hoods/housings



底部外壳安装开孔尺寸/Housing mounting dimensions PAGE/390

表面粉末镀层, RAL 7037 / Powder-coated, RAL 7037

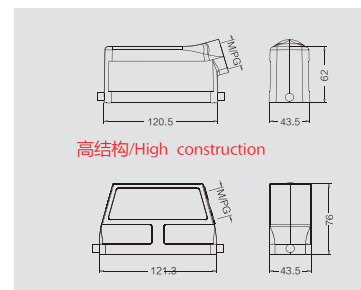
防护等级 Degree of protection : IP65

上壳 / Hoods

侧面进线 Side entry



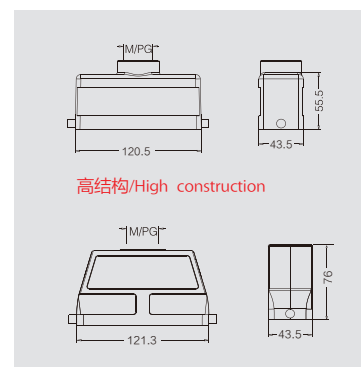
| 螺纹 Thread | 型号/Type | 订货号 /Part Number |
|-----------------------|------------------|------------------|
| PG21 | G24B-TS-RO-PG21 | |
| M25 | G24B-TS-RO-M25 | |
| M32 | G24B-TS-RO-M32 | |
| 高结构/High construction | | |
| PG21 | G24B-TSH-RO-PG21 | |
| PG29 | G24B-TSH-RO-PG29 | |
| M25 | G24B-TSH-RO-M25 | |
| M32 | G24B-TSH-RO-M32 | |
| M40 | G24B-TSH-RO-M40 | |



顶部进线 Top entry



| 螺纹 Thread | 型号/Type | 订货号 /Part Number |
|-----------------------|------------------|------------------|
| PG21 | G24B-TG-RO-PG21 | |
| PG29 | G24B-TG-RO-PG29 | |
| M25 | G24B-TG-RO-M25 | |
| M32 | G24B-TG-RO-M32 | |
| 高结构/High construction | | |
| PG21 | G24B-TGH-RO-PG21 | |
| PG29 | G24B-TGH-RO-PG29 | |
| PG36 | G24B-TGH-RO-PG36 | |
| M25 | G24B-TGH-RO-M25 | |
| M32 | G24B-TGH-RO-M32 | |
| M40 | G24B-TGH-RO-M40 | |

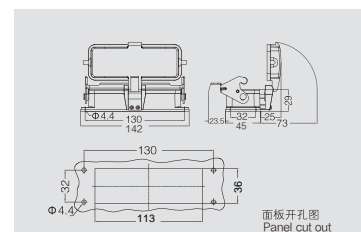


下壳底座 / Housings

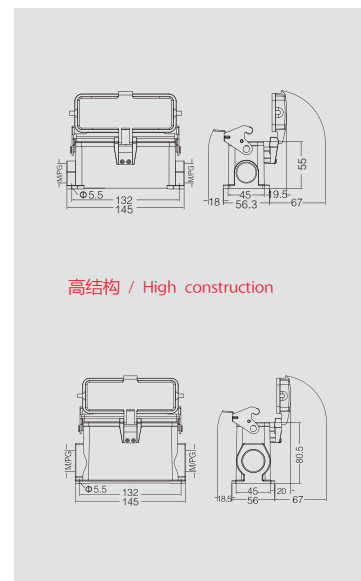
外壳底座: 开孔安装 Bulkhead mounted



| 螺纹 Thread | 型号/Type | 订货号 /Part Number |
|----------------------------|-------------|------------------|
| | G24B-AG-LB | |
| 带保护盖/with protection cover | | |
| | G24B-AD-LB | |
| 上壳保护盖/protection cover | | |
| | G24B-KDT-LB | |

外壳底座: 表面安装
Surface mounted: Side entry

| 螺纹 Thread | 型号/Type | 订货号 /Part Number |
|-------------------------|--------------------|------------------|
| 1个进线孔1 side entry | | |
| PG21 | G24B-SGR-LB-PG21 | |
| M25 | G24B-SGR-LB-M25 | |
| 2个进线孔2 side entry | | |
| 2PG21 | G24B-SGR-LB-2PG21 | |
| 2M25 | G24B-SGR-LB-2M25 | |
| 高结构 / High construction | | |
| 1个进线孔1 side entry | | |
| PG21 | G24B-SGRH-LB-PG21 | |
| PG29 | G24B-SGRH-LB-PG29 | |
| M32 | G24B-SGRH-LB-M32 | |
| M40 | G24B-SGRH-LB-M40 | |
| 2个进线孔2 side entry | | |
| PG21 | G24B-SGRH-LB-2PG21 | |
| PG29 | G24B-SGRH-LB-2PG29 | |
| M32 | G24B-SGRH-LB-2M32 | |
| M40 | G24B-SGRH-LB-2M40 | |



G24B单扣外壳 /G24B with 1 lever on the hoods/housings



底部外壳安装开孔尺寸/Housing mounting dimensions PAGE/390

表面粉末镀层, RAL 7037 / Powder-coated, RAL 7037

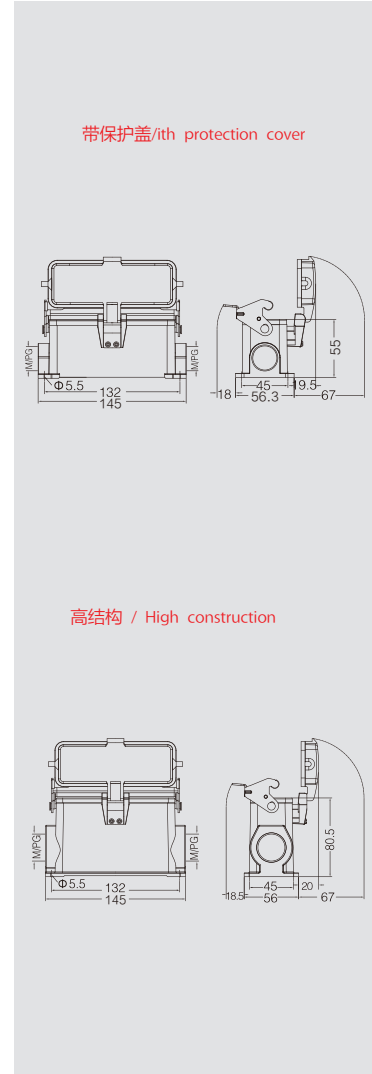
防护等级 Degree of protection : IP65

下壳底座 / Housings

带盖表面安装底座 Surface mounting



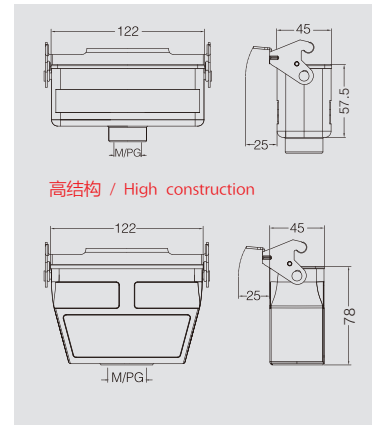
| 螺纹 Thread | 型号/Type | 订货号 /Part Number |
|---|-----------------------|------------------|
| 带保护盖/With protection cover | | |
| 1个进线孔1 side entry | | |
| PG21 | G24B-SDR-LB-PG21 | |
| M25 | G24B-SDR-LB-M25 | |
| 2个进线孔2 side entry | | |
| 2PG21 | G24B-SDR-LB-2PG21 | |
| 2M25 | G24B-SDR-LB-2M25 | |
| 高结构 / High construction | | |
| 1个进线孔1 side entry | | |
| PG21 | G24B-SDRH-LB-PG21 | |
| PG29 | G24B-SDRH-LB-PG29 | |
| M32 | G24B-SDRH-LB-M32 | |
| 2个进线孔2 side entry | | |
| PG21 | G24B-SDRH-LB-2PG21 | |
| PG29 | G24B-SDRH-LB-2PG29 | |
| M32 | G24B-SDRH-LB-2M32 | |
| 带金属保护盖/With metal protective cover | | |
| 1个进线孔1 side entry | | |
| PG21 | G24B-SDR-LB-LA-PG21 | |
| M25 | G24B-SDR-LB-LA-M25 | |
| 2个进线孔2 side entry | | |
| 2PG21 | G24B-SDR-LB-LA-2PG21 | |
| 2M25 | G24B-SDR-LB-LA-2M25 | |
| 高结构 / High construction | | |
| 1个进线孔1 side entry | | |
| PG21 | G24B-SDRH-LB-LA-PG21 | |
| PG29 | G24B-SDRH-LB-LA-PG29 | |
| M32 | G24B-SDRH-LB-LA-M32 | |
| 2个进线孔2 side entry | | |
| PG21 | G24B-SDRH-LB-LA-2PG21 | |
| PG29 | G24B-SDRH-LB-LA-2PG29 | |
| M32 | G24B-SDRH-LB-LA-2M32 | |



电缆对接下壳 Cable-to-cable hood



| 螺纹 Thread | 型号/Type | 订货号 /Part Number |
|--------------------------------|-------------------|------------------|
| PG21 | G24B-TBF-LB-PG21 | |
| PG29 | G24B-TBF-LB-PG29 | |
| M25 | G24B-TBF-LB-M25 | |
| M32 | G24B-TBF-LB-M32 | |
| 高结构 / High construction | | |
| PG21 | G24B-TBFH-LB-PG21 | |
| PG29 | G24B-TBFH-LB-PG29 | |
| M32 | G24B-TBFH-LB-M32 | |
| M40 | G24B-TBFH-LB-M40 | |



G24B 耐腐蚀外壳 Metal Hoods & Housings For higher environmental requirements



底部外壳安装开孔尺寸/Housing mounting dimensions PAGE/390

表面粉末镀层, RAL 9005 / Powder-coated, RAL 9005

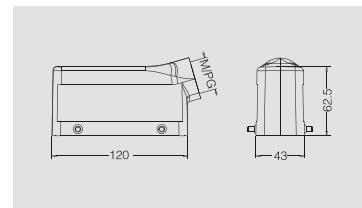
防护等级 Degree of protection : IP65

上壳 / Hoods

侧出线 side entry



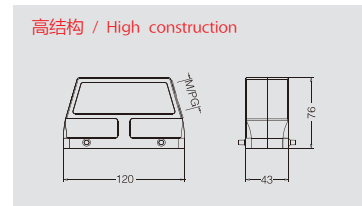
| 螺纹 Thread | 型号/Type | 订货号 /Part Number |
|-----------|----------------|------------------|
| PG21 | G24B-TS-M-PG21 | |
| M25 | G24B-TS-M-M25 | |



侧出线高结构 side entry, high construction



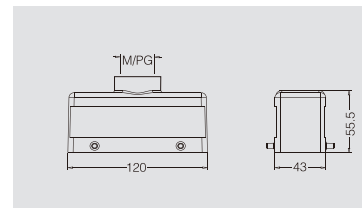
| 螺纹 Thread | 型号/Type | 订货号 /Part Number |
|-------------------------|-----------------|------------------|
| 高结构 / High construction | | |
| PG29 | G24B-TSH-M-PG29 | |
| M32 | G24B-TSH-M-M32 | |
| M40 | G24B-TSH-M-M40 | |



顶出线 top entry



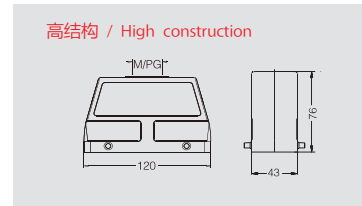
| 螺纹 Thread | 型号/Type | 订货号 /Part Number |
|-----------|----------------|------------------|
| PG21 | G24B-TG-M-PG21 | |
| M25 | G24B-TG-M-M25 | |



顶出线高结构 top entry, high construction



| 螺纹 Thread | 型号/Type | 订货号 /Part Number |
|-------------------------|-----------------|------------------|
| 高结构 / High construction | | |
| PG29 | G24B-TGH-M-PG29 | |
| M32 | G24B-TGH-M-M32 | |

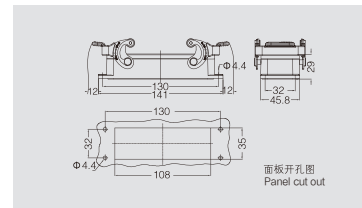


下壳底座 / Housings

不封底下壳 Housings, bulkhead mounting



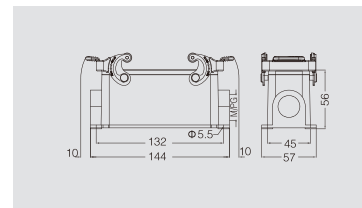
| 螺纹 Thread | 型号/Type | 订货号 /Part Number |
|-----------|-----------|------------------|
| --- | G24B-AG-M | |



封底下壳 Housings, surface mounting



| 螺纹 Thread | 型号/Type | 订货号 /Part Number |
|-----------|-----------------|------------------|
| PG21 | G24B-SGR-M-PG21 | |
| M25 | G24B-SGR-M-M25 | |



G24B耐腐蚀外壳 Metal Hoods & Housings For higher environmental requirements



底部外壳安装开孔尺寸/Housing mounting dimensions PAGE/390

表面粉末镀层, RAL 9005 / Powder-coated, RAL 9005

防护等级 Degree of protection : IP65

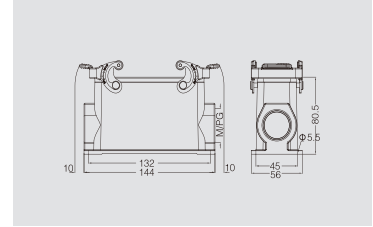
下壳底座 / Housings

封底下壳高结构

Housings, surface mounting, high construction



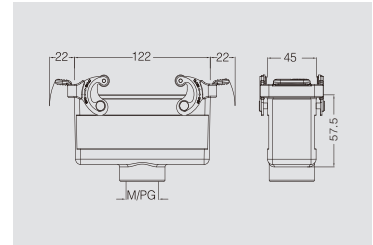
| 螺纹 Thread | 型号/Type | 订货号 /Part Number |
|-----------|-------------------|------------------|
| 2PG29 | G24B-SGRH-M-2PG29 | |
| 2M32 | G24B-SGRH-M-2M32 | |
| 2M40 | G24B-SGRH-M-2M40 | |



电缆对接下壳 Cable-to-cable hood



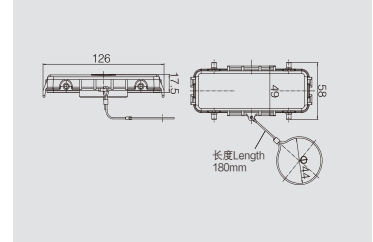
| 螺纹 Thread | 型号/Type | 订货号 /Part Number |
|-----------|-----------------|------------------|
| PG21 | G24B-TBF-M-PG21 | |



底座保护盖 Housing protection cover



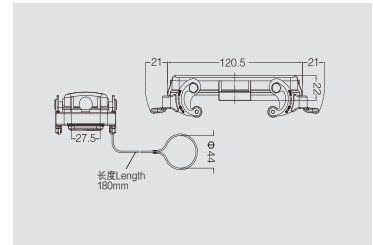
| 螺纹 Thread | 型号/Type | 订货号 /Part Number |
|-----------|-----------------------|------------------|
| | 金属盖/用于上壳 For hoods | |
| | G24B-KDB-LA-M-1 | |
| | 金属盖/用于下壳 For housings | |
| | G24B-KDB-LA-M-2 | |



上壳保护盖 Protection covers for hoods



| 螺纹 Thread | 型号/Type | 订货号 /Part Number |
|-----------|-----------------------|------------------|
| | 金属盖/用于上壳 For hoods | |
| | G24B-KDT-LA-M-1 | |
| | 金属盖/用于下壳 For housings | |
| | G24B-KDT-LA-M-2 | |



G32B带双扣外壳/G32B with 2 lever on the hoods/housings



底部外壳安装开孔尺寸/Housing mounting dimensions PAGE/390

表面粉末镀层, RAL 7037 / Powder-coated, RAL 7037

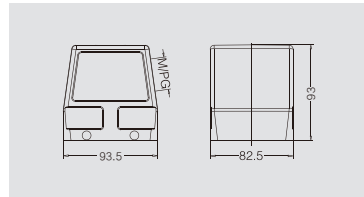
注:上壳高结构和低结构是通用型结构

上壳 / Hoods

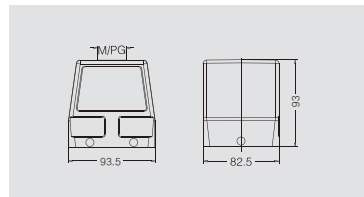
外壳上壳: 侧面进线 Hood: Side entry



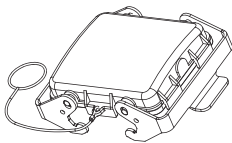
| 螺纹 Thread | 型号/Type | 订货号 /Part Number |
|-----------|--------------|------------------|
| PG29 | G32B-TS-PG29 | |
| PG36 | G32B-TS-PG36 | |
| PG42 | G32B-TS-PG42 | |
| M32 | G32B-TS-M32 | |
| M40 | G32B-TS-M40 | |
| M50 | G32B-TS-M50 | |

外壳上壳: 顶部进线
Hood: Top entry

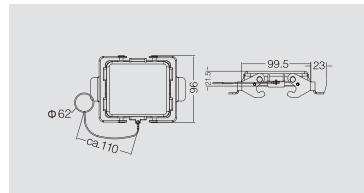
| 螺纹 Thread | 型号/Type | 订货号 /Part Number |
|-----------|--------------|------------------|
| PG29 | G32B-TG-PG29 | |
| PG36 | G32B-TG-PG36 | |
| PG42 | G32B-TG-PG42 | |
| M32 | G32B-TG-M32 | |
| M40 | G32B-TG-M40 | |
| M50 | G32B-TG-M50 | |



上壳保护盖 Protection covers for hoods



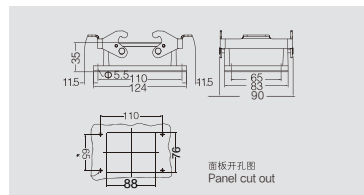
| 螺纹 Thread | 型号/Type | 订货号 /Part Number |
|-----------|---------------|------------------|
| | G32B-KDT-LA-1 | |



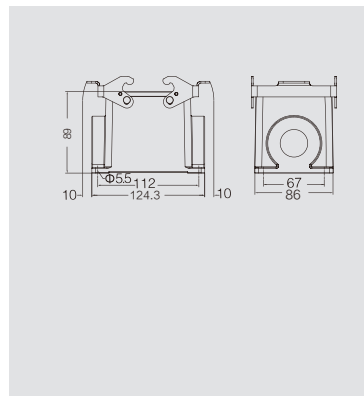
下壳底座 / Housings

外壳底座: 开孔安装
Bulkhead mounted: Bottom entry

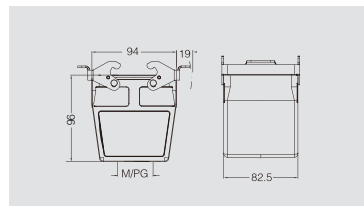
| 螺纹 Thread | 型号/Type | 订货号 /Part Number |
|-----------|---------|------------------|
| | G32B-AG | |

外壳底座: 表面安装
Surface mounted: Side entry

| 螺纹 Thread | 型号/Type | 订货号 /Part Number |
|-------------------|----------------|------------------|
| 1个进线孔1 side entry | | |
| PG29 | G32B-SGR-PG29 | |
| PG36 | G32B-SGR-PG36 | |
| PG42 | G32B-SGR-PG42 | |
| M32 | G32B-SGR-M32 | |
| M40 | G32B-SGR-M40 | |
| 2个进线孔2 side entry | | |
| PG29 | G32B-SGR-2PG29 | |
| PG36 | G32B-SGR-2PG36 | |
| PG42 | G32B-SGR-2PG42 | |
| M32 | G32B-SGR-2M32 | |
| M40 | G32B-SGR-2M40 | |

电缆对接下壳
Cable-to-cable hood

| 螺纹 Thread | 型号/Type | 订货号 /Part Number |
|-----------|---------------|------------------|
| PG29 | G32B-TBF-PG29 | |
| PG36 | G32B-TBF-PG36 | |
| PG42 | G32B-TBF-PG42 | |
| M32 | G32B-TBF-M32 | |
| M40 | G32B-TBF-M40 | |
| M50 | G32B-TBF-M50 | |



G32B带双扣外壳/G32B with 2 lever on the hoods/housings



底部外壳安装开孔尺寸/Housing mounting dimensions PAGE/390

表面粉末镀层, RAL 7037 / Powder-coated, RAL 7037

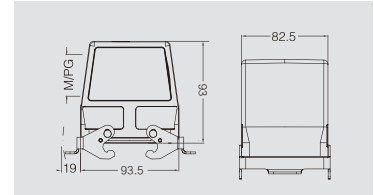
注:上壳高结构和低结构是通用型结构

上壳 / Hoods

外壳上壳: 侧面进线 Hood: Side entry



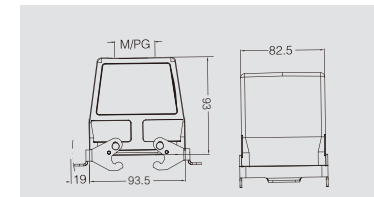
| 螺纹 Thread | 型号/Type | 订货号 /Part Number |
|-----------|---------------|------------------|
| PG29 | G32B-TSB-PG29 | |
| M32 | G32B-TSB-M32 | |



开孔安装 Bulkhead mounted



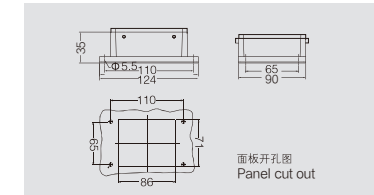
| 螺纹 Thread | 型号/Type | 订货号 /Part Number |
|-----------|---------------|------------------|
| PG29 | G32B-TGB-PG29 | |
| PG36 | G32B-TGB-PG36 | |
| PG42 | G32B-TGB-PG42 | |
| M32 | G32B-TGB-M32 | |
| M40 | G32B-TGB-M40 | |
| M50 | G32B-TGB-M50 | |



开孔安装 Bulkhead mounted



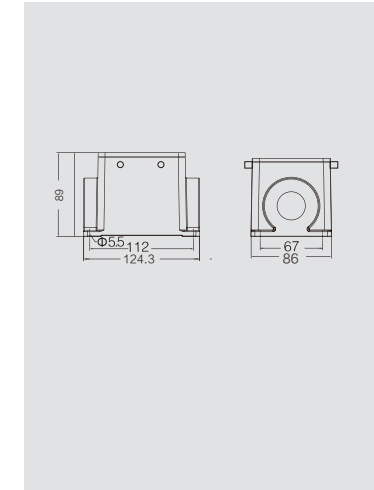
| 螺纹 Thread | 型号/Type | 订货号 /Part Number |
|-----------|------------|------------------|
| | G32B-AG-BO | |



开孔安装 Bulkhead mounted



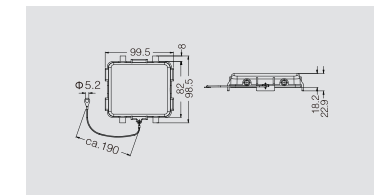
| 螺纹 Thread | 型号/Type | 订货号 /Part Number |
|-------------------|-------------------|------------------|
| 1个进线孔1 side entry | | |
| PG29 | G32B-SGR-BO-PG29 | |
| PG36 | G32B-SGR-BO-PG36 | |
| PG42 | G32B-SGR-BO-PG42 | |
| M32 | G32B-SGR-BO-M32 | |
| M40 | G32B-SGR-BO-M40 | |
| 2个进线孔2 side entry | | |
| PG29 | G32B-SGR-BO-2PG29 | |
| PG36 | G32B-SGR-BO-2PG36 | |
| PG42 | G32B-SGR-BO-2PG42 | |
| M32 | G32B-SGR-BO-2M32 | |
| M40 | G32B-SGR-BO-2M40 | |



底座保护盖



| 螺纹 Thread | 型号/Type | 订货号 /Part Number |
|-----------|---------------|------------------|
| | G32B-KDB-LA-2 | |



G32B带单扣外壳 / G32B with 1 lever on the hoods/housings



底部外壳安装开孔尺寸/Housing mounting dimensions PAGE/390

表面粉末镀层, RAL 7037 / Powder-coated, RAL 7037

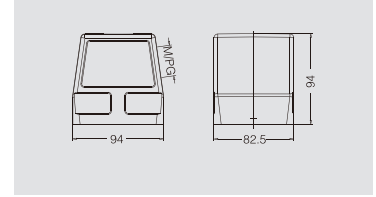
注:上壳高结构和低结构是通用型结构

上壳 / Hoods

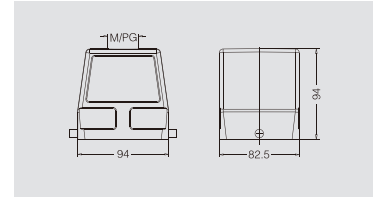
外壳上壳: 侧面进线 Hood: Side entry



| 螺纹 Thread | 型号/Type | 订货号 /Part Number |
|-----------|-----------------|------------------|
| PG29 | G32B-TS-RO-PG29 | |
| PG36 | G32B-TS-RO-PG36 | |
| PG42 | G32B-TS-RO-PG42 | |
| M32 | G32B-TS-RO-M32 | |
| M40 | G32B-TS-RO-M40 | |
| M50 | G32B-TS-RO-M50 | |

外壳上壳: 顶部进线
Hood: Top entry

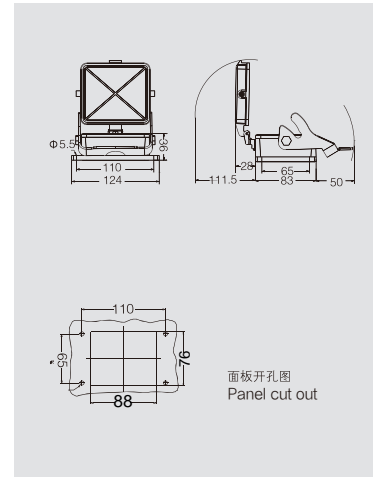
| 螺纹 Thread | 型号/Type | 订货号 /Part Number |
|-----------|-----------------|------------------|
| PG29 | G32B-TG-RO-PG29 | |
| PG36 | G32B-TG-RO-PG36 | |
| PG42 | G32B-TG-RO-PG42 | |
| M32 | G32B-TG-RO-M32 | |
| M40 | G32B-TG-RO-M40 | |
| M50 | G32B-TG-RO-M50 | |



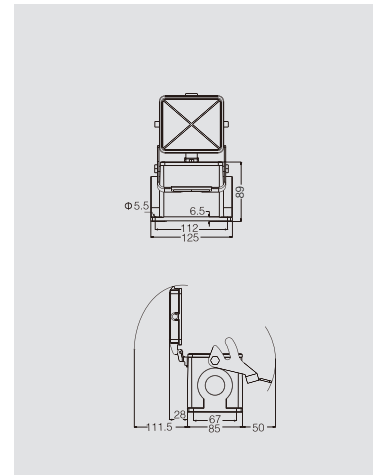
下壳底座 / Housings

外壳底座: 开孔安装
Bulkhead mounted: Bottom entry

| 螺纹 Thread | 型号/Type | 订货号 /Part Number |
|-----------|----------------------------|------------------|
| | G32B-AG-LB | |
| | 带保护盖/With protection cover | |
| | G32B-AD-LB | |

外壳底座: 表面安装
Surface mounted: Side entry

| 螺纹 Thread | 型号/Type | 订货号 /Part Number |
|-----------|----------------------------|------------------|
| | 1个进线孔1 side entry | |
| PG29 | G32B-SGR-LB-PG29 | |
| M32 | G32B-SGR-LB-M32 | |
| | 2个进线孔2 side entry | |
| PG29 | G32B-SGR-LB-2PG29 | |
| M32 | G32B-SGR-LB-2M32 | |
| | 带保护盖/With protection cover | |
| | 1个进线孔1 side entry | |
| PG29 | G32B-SDR-LB-PG29 | |
| M32 | G32B-SDR-LB-M32 | |
| | 2个进线孔2 side entry | |
| PG29 | G32B-SDR-LB-2PG29 | |
| M32 | G32B-SDR-LB-2M32 | |



GE-092接插体 / GE-092 inserts



芯件适配用G48B外壳
inserts suit for G48B hoods/housing

500V max.16A(46x2)

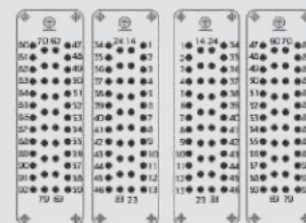
92+ (46X2)

冷压针压接/Crimp terminal



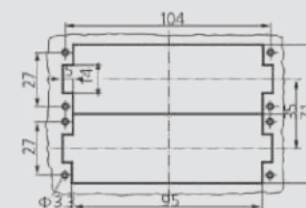
| 插芯/Inserts | 型号/Type | 订货号/Part Number |
|------------|-------------------|-----------------|
| 公 Male | GE-046-MBZ(1-46) | |
| 母 Female | GE-046-FBZ(1-46) | |
| 公 Male | GE-046-MBZ(47-92) | |
| 母 Female | GE-046-FBZ(47-92) | |

接插体尺寸见 GEE-46
Dimensions for inserts see GEE-46



M F

接插针排序
Contacts arrangement view from termination side

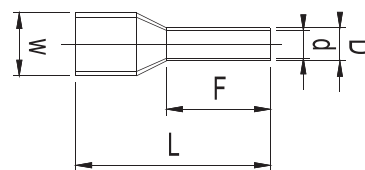


板面安装开孔图
Panel cut out for use without hoods/housings

管形预绝缘端头



EV___
极限工作温度:105°C, Ui: 300V
端头材质: 紫铜管
绝缘材料: 乙烯基



| 型号 | 订货号 | 包装数 | 导线截面 (mm ²) | 预绝缘端头色标 | 尺寸(mm) | | | | |
|-----------|---------|------|-------------------------|---------|--------|------|-----|-----|-----|
| | | | | | F | L | D | d | W |
| EV0.5-10 | 5570103 | 1000 | 0.5 | (WH) | 10.0 | 16.0 | 1.3 | 1.0 | 2.6 |
| EV0.75-10 | 5570107 | 1000 | 0.75 | (BU) | 10.0 | 16.4 | 1.5 | 1.2 | 2.8 |
| EV1-10 | 5570111 | 1000 | 1.0 | (RD) | 10.0 | 16.4 | 1.7 | 1.4 | 3 |
| EV1.5-10 | 5570114 | 1000 | 1.5 | (BK) | 10.0 | 16.4 | 2.0 | 1.7 | 3.5 |
| EV2.5-10 | 5570118 | 1000 | 2.5 | (GY) | 10.0 | 17.4 | 2.6 | 2.2 | 4 |



| 型号 | 压接范围 | 订货号 |
|--------|--------------------------------------|-----------|
| CE-501 | 0.08~6.0mm ² (可调节压接范围) | 3 954 100 |



| 型号 | 压接范围 | 订货号 |
|--------|------------------------|-----------|
| CE-502 | 0.5~6.0mm ² | 3 954 101 |

G48B外壳 / G48B hoods/housings



底部外壳安装开孔尺寸/Housing mounting dimensions PAGE/390

表面粉末镀层, RAL 7037 / Powder-coated, RAL 7037

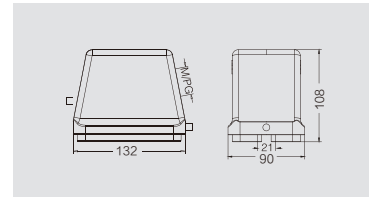
防护等级 Degree of protection : IP65

上壳 / Hoods

侧面进线 Hood: Side entry



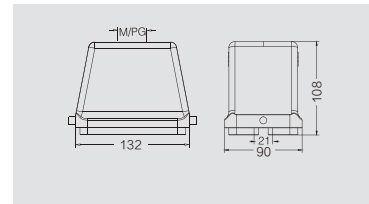
| 螺纹 Thread | 型号/Type | 订货号 /Part Number |
|-----------|-----------------|------------------|
| PG29 | G48B-TS-RO-PG29 | |
| PG36 | G48B-TS-RO-PG36 | |
| PG42 | G48B-TS-RO-PG42 | |
| M32 | G48B-TS-RO-M32 | |
| M40 | G48B-TS-RO-M40 | |
| M50 | G48B-TS-RO-M50 | |



外壳上壳: 顶部进线 Hood: Top entry



| 螺纹 Thread | 型号/Type | 订货号 /Part Number |
|-----------|-----------------|------------------|
| PG29 | G48B-TG-RO-PG29 | |
| PG36 | G48B-TG-RO-PG36 | |
| PG42 | G48B-TG-RO-PG42 | |
| M32 | G48B-TG-RO-M32 | |
| M40 | G48B-TG-RO-M40 | |
| M50 | G48B-TG-RO-M50 | |



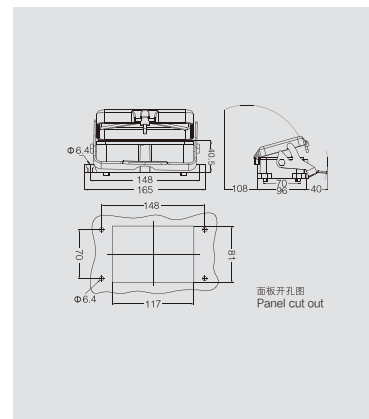
下壳底座 / Housings

外壳底座: 开孔安装

Bulkhead mounted: Bottom entry



| 螺纹 Thread | 型号/Type | 订货号 /Part Number |
|-----------|----------------------------|------------------|
| | G48B-AG-LB | |
| | 带保护盖/With protection cover | |
| | G48B-AD-LB | |



外壳底座: 表面安装

Surface mounted: Side entry



| 螺纹 Thread | 型号/Type | 订货号 /Part Number |
|-----------|----------------------------|------------------|
| | 1个进线孔1 side entry | |
| PG29 | G48B-SGR-LB-PG29 | |
| PG36 | G48B-SGR-LB-PG36 | |
| M32 | G48B-SGR-LB-M32 | |
| M40 | G48B-SGR-LB-M40 | |
| | 2个进线孔2 side entry | |
| PG29 | G48B-SGR-LB-2PG29 | |
| PG36 | G48B-SGR-LB-2PG36 | |
| M32 | G48B-SGR-LB-2M32 | |
| M40 | G48B-SGR-LB-2M40 | |
| | 带保护盖/With protection cover | |
| | 1个进线孔1 side entry | |
| PG29 | G48B-SDR-LB-PG29 | |
| PG36 | G48B-SDR-LB-PG36 | |
| M32 | G48B-SDR-LB-M32 | |
| M40 | G48B-SDR-LB-M40 | |
| | 2个进线孔2 side entry | |
| PG29 | G48B-SDR-LB-2PG29 | |
| PG36 | G48B-SDR-LB-2PG36 | |
| M32 | G48B-SDR-LB-2M32 | |
| M40 | G48B-SDR-LB-2M40 | |

