



GD系列接插件技术特性 / GD technical characteristics

电流负载能力 / Current carrying capacity

电流负载能力所受的限制主要来自包含接插针的接插体可承受的最大温度。

测试和控制过程依据DINIEC 60512-3。

The current carrying is limited by maximum temperature of materials for inserts and contacts including terminals.

Control and test procedures according to DIN IEC 60512-3.

规范 / Specifications

	DIN VDE 0627 DIN VDE 0110
接插件针数/Number of contacts	7,8,15,25,40,50(2X25),64, 80(2X40),128(2X64)+PE

插接体 / Inserts

工作电流/Working current (见负载图/See current carrying capacity)	10 A max.
工作电压/Working voltage	250V, insulation group C
测试电压/Test voltage Urms	2KV
污染等级/Pollution degree	3(C)
当污染等级为2(C)时参数为/Pollution degree 2 also	10A 250/400V
隔离电阻/Insulation resistance	$\geq 10^{10} \Omega$
材料/Material	Polyamide
工作温度范围/Temperature range	-40°C...+100°C/125°C
阻燃等级(UL94)Flammability acc.to (UI94)	V0
据UL/CSA工作电压Working voltage acc.to UL/CSA	600V
可拔插次数/Mechanical working life(mating cycles)	≥ 500

接插针 / Contacts

材料/Material	铜/Copper alloy
表面处理/Surface	镀银/Hard silver-plated 镀金/Hard gold-plated
接触电阻/Contact resistance	$\leq 3m\Omega$
接线形式/Terminal	冷压针压接/Crimp terminal
-mm ²	0.15-2.5mm ²
-AWG	26-14
拧紧力矩/测试力矩 Tightening / test torque	0.5Nm

金属上壳/底座 Hoods/Housings

材料/Material	铸铝合金/Die cast aluminium
表面处理/Surface	高温粉末镀层.灰色 Powder-coated, RAL 7037
锁定装置/Locking element	不锈钢或铁镀锌 Stainless steel, steel-zinc plated
防护等级/Degree of protection acc.to DIN40 050	IP65

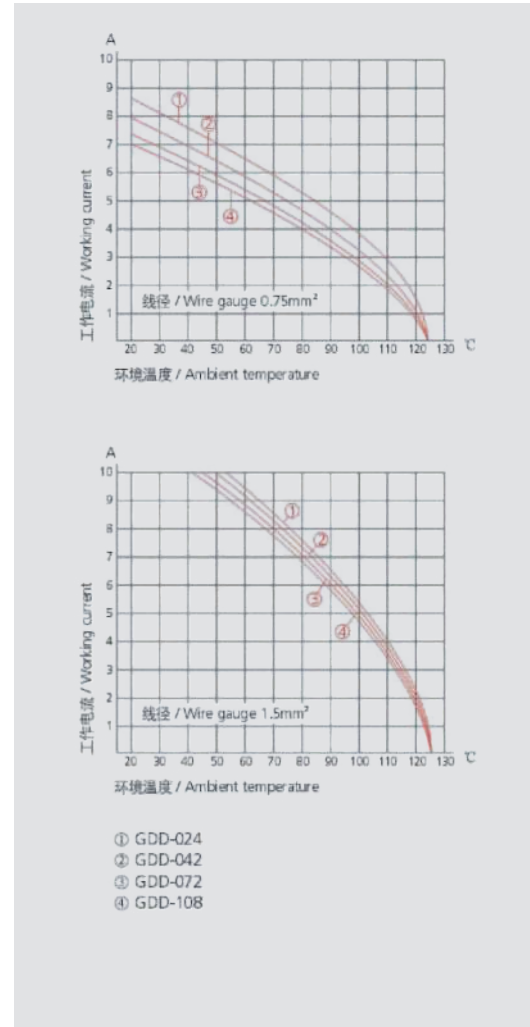
调整后的插针分布 Modified contact arrangement

GD接插体在装满插针时，在绝缘等级3(C)时，其工作电压可达250V，但其插针分布经过调整，同样在绝缘等级3(C)时，其工作电压允许值可达500V。

The connector series GD equipped with all contacts may be used for voltage up to 250V at insulation group C, but modified contact loading arrangement permits use up to 500V at insulation group C.

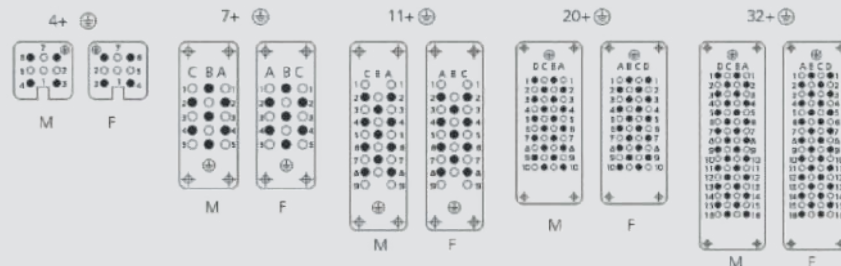
GD系列插针分布图

Contact arrangement view from termination side.



GD系列/GD Series

10A 500V 6KV 3



说明: ●装有插针的插孔

○不装插针的插孔

M-公接插体

F-母接插体

Note: ●Working contact

○Without contact

M-Male insert

F-Female insert

GD-007/008接插体 / GD-007/008 inserts



芯件适配用G3A外壳

Inserts suit for G3A hoods/housing

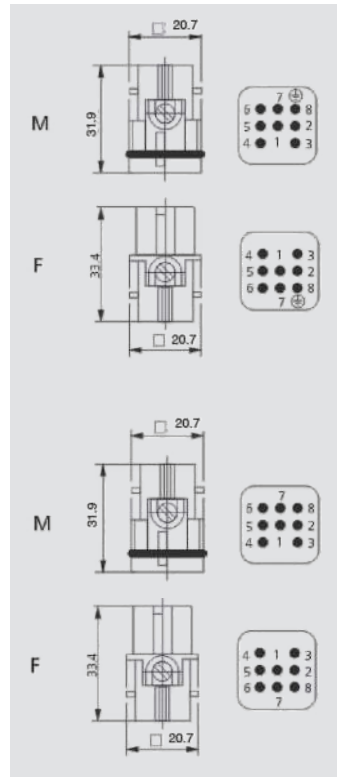
7+ \oplus 250V max.10A

7/8+ \oplus

冷压针压接/Crimp terminal



插芯/Inserts	型号/Type	订货号/Part Number
公 Male	GD-007-MC	
母 Female	GD-007-FC	

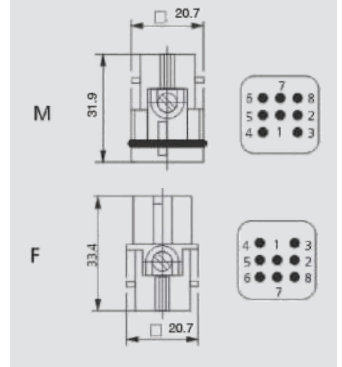


-120V/~50V max.10A

8 \oplus



插芯/Inserts	型号/Type	订货号/Part Number
公 Male	GD-008-MC	
母 Female	GD-008-FC	



冷压接插针 Crimp contacts

技术参数/Technical data

材料: 铜

Material: copper

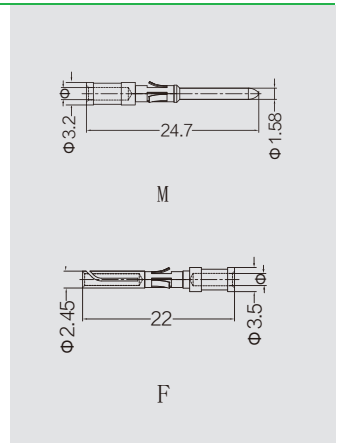
接触电阻/Contact resistance: $\leq 3m\Omega$

接线形式: 冷压工具压接

Terminal: crimp connection

(镀银)冷压接插针/Crimp contacts.silver-plate

标识 Identification	线规 Wire gauge	剥线长度 Stripping length	公插针 Male	订货号 Part Number	母插针 Female	订货号 Part Number	内孔直径
no groove	0.5 mm ²	AWG 20	8.0m	CDM-0.5	CDF-0.5		1.15
1 groove	0.75 mm ²	AWG 18	8.0m	CDM-0.75	CDF-0.75		1.3
1 groove	1.0 mm ²	AWG 18	8.0m	CDM-1.0	CDF-1.0		1.45
2 groove	1.5 mm ²	AWG 16	8.0m	CDM-1.5	CDF-1.5		1.75
3 groove	2.5 mm ²	AWG 14	8.0m	CDM-2.5	CDF-2.5		2.25



(镀金)冷压接插针/Crimp contacts.Gold-plated

标识 Identification	线规 Wire gauge	剥线长度 Stripping length	公插针 Male	订货号 Part Number	母插针 Female	订货号 Part Number	内孔直径
no groove	0.5 mm ²	AWG 20	8.0m	DDM-0.5	DDF-0.5		1.15
1 groove	0.75 mm ²	AWG 18	8.0m	DDM-0.75	DDF-0.75		1.3
1 groove	1.0 mm ²	AWG 18	8.0m	DDM-1.0	DDF-1.0		1.45
2 groove	1.5 mm ²	AWG 16	8.0m	DDM-1.5	DDF-1.5		1.75
3 groove	2.5 mm ²	AWG 14	8.0m	DDM-2.5	DDF-2.5		2.25



工具 Tools

冷压钳 Manual hydraulic clamp



压接线径 Wire gauge	型号/Type	订货号/Part Number
0.5-4mm ²	CRIMPBOX-0.5/4	

退针器 Removal tool



适用类型 For	型号/Type	订货号/Part Number
10A 冷压针 Crimp contacts	REMOV-GD	

G3A金属外壳 / G3A metal hoods/housings



底部外壳安装开孔尺寸/Housing mounting dimensions PAGE/390

表面粉末镀层,RAL7037 / Powder-coated,RAL 7037

防护等级 Degree of protection : IP65

上壳 / Hoods

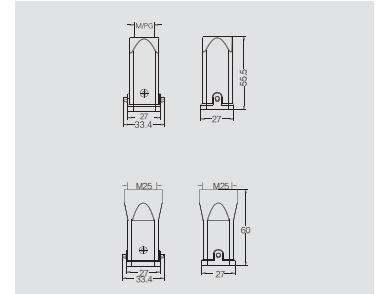
顶部进线 Top entry



螺纹 Thread	型号/Type	订货号 /Part Number
PG11	G3A-MTG-PG11	
M20	G3A-MTG-M20	



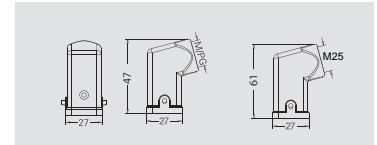
螺纹 Thread	型号 /Type	订货号 /Part Number
M25	G3A-MTG-M25	



侧面进线 Side entry



螺纹 Thread	型号/Type	订货号 /Part Number
PG11	G3A-MTS-PG11	
M20	G3A-MTS-M20	
M25	G3A-MTS-M25	



下壳底座 / Housings

开孔安装
Bulkhead mounting: Bottom entry



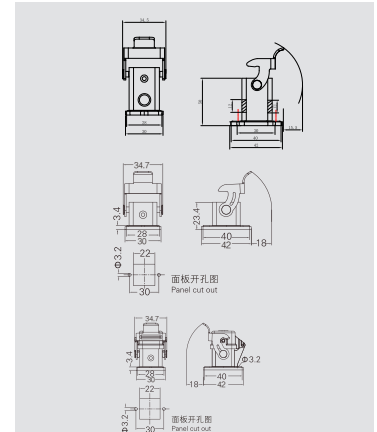
螺纹 Thread	型号/Type	订货号 /Part Number
	G3A-MAG-12/2	



螺纹 Thread	型号/Type	订货号 /Part Number
---	G3A-MAG	



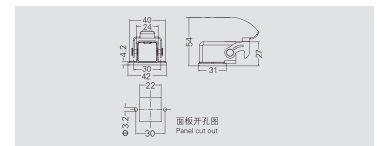
螺纹 Thread	型号/Type	订货号 /Part Number
---	G3A-MAG-AD	



开孔安装(侧出形式)
Bulkhead mounting: Bottom entry



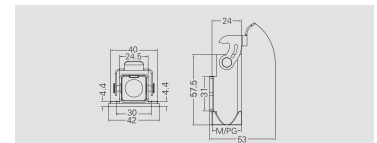
螺纹 Thread	型号/Type	订货号 /Part Number
---	G3A-MAGS	



表面安装(侧面形式)
Surface mounting: Side entry



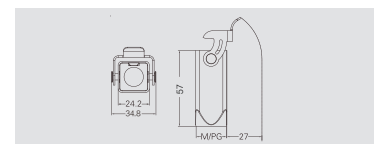
螺纹 Thread	型号/Type	订货号 /Part Number
PG11	G3A-MAGSV-PG11	
M20	G3A-MAGSV-M20	



电缆对接下壳 Cable-to-cable hood:



螺纹 Thread	型号/Type	订货号 /Part Number
PG11	G3A-MTGVB-PG11	
M20	G3A-MTGVB-M20	



G3A金属外壳 EMC / G3A metal hoods/housings



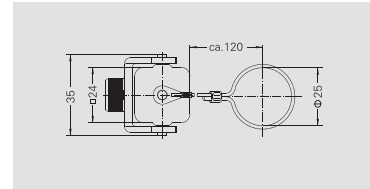
底部外壳安装开孔尺寸/Housing mounting dimensions PAGE/390

表面粉末镀层,RAL7037 / Powder-coated,RAL 7037

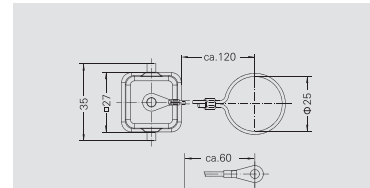
保护盖

上壳保护盖
Protection covers for housings

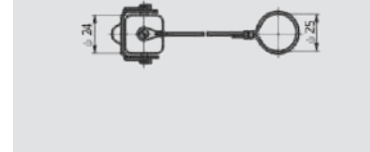
螺纹 Thread	型号/Type	订货号 /Part Number
	配公芯 G3A-KDT-LA/1M	
	配母芯 G3A-KDT-LA/1F	

底座保护盖
Protection covers for housings

螺纹 Thread	型号/Type	订货号 /Part Number
	配公芯 G3A-KDB-LA/1M	
	配公芯 G3A-KDB-LA/2M	
	配母芯 G3A-KDB-LA/1F	
	配母芯 G3A-KDB-LA/2F	



螺纹 Thread	型号/Type	订货号 /Part Number
---	G3A-KDB	



G3A高防护金属外壳 / G3A metal hoods/housings

防护等级Degree of protection: IP68 H version

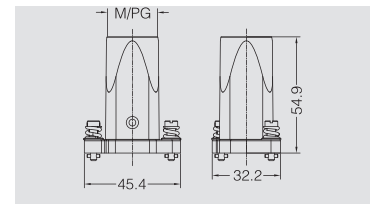
喷涂/镀铬 Epoxy power paint/Chromated

上壳 / Hoods

顶部进线 Top entry



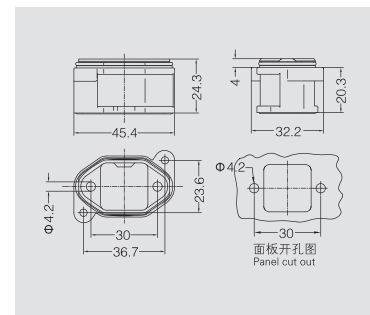
螺纹 Thread	型号/Type	订货号 /Part Number
PG13.5	G3A-MTGH-HP-PG13.5	
M20	G3A-MTGH-HP-M20	



下壳底座 / Housings

开孔安装
Bulkhead mounting: Bottom entry

螺纹 Thread	型号/Type	订货号 /Part Number
	G3A-MAGH-HP	



GD-015接插体 / GD-015 inserts



芯件适配用G10A外壳

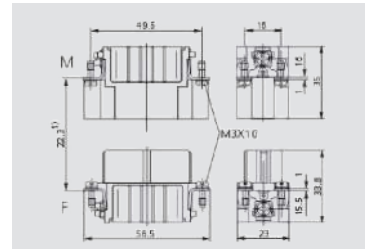
Inserts suit for G10A hoods/housing **15+** 250V max.10A

15+

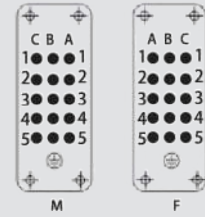
冷压针压接/Crimp terminal



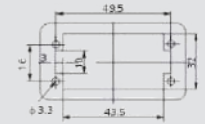
插芯/Inserts	型号/Type	订货号/Part Number
公 Male	GD-015-MC	
母 Female	GD-015-FC	



1)接插体之间最大距离24mm
Distance for contact max.24mm



接插针排序
Contacts arrangement view from termination side



板面安装开孔图
Panel cut out for use without hoods/housings

冷压接插针 Crimp contacts

技术参数/Technical data

材料: 铜

Material: copper

接触电阻/Contact resistance: $\leq 3m\Omega$

接线形式: 冷压工具压接

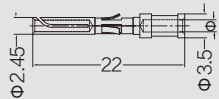
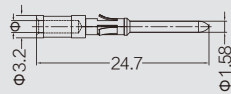
Terminal: crimp connection

(镀银)冷压接插针/Crimp contacts.silver-platea

标识 Identification	线规 Wire gauge	剥线长度 Stripping length	公插针 Male	订货号 Part Number	母插针 Female	订货号 Part Number	内孔 直径
no groove	0.5 mm ²	AWG 20	8.0m	CDM-0.5		CDF-0.5	1.15
1 groove	0.75 mm ²	AWG 18	8.0m	CDM-0.75		CDF-0.75	1.3
1 groove	1.0 mm ²	AWG 18	8.0m	CDM-1.0		CDF-1.0	1.45
2 groove	1.5 mm ²	AWG 16	8.0m	CDM-1.5		CDF-1.5	1.75
3 groove	2.5 mm ²	AWG 14	8.0m	CDM-2.5		CDF-2.5	2.25

(镀金)冷压接插针/Crimp contacts.Gold-plated

标识 Identification	线规 Wire gauge	剥线长度 Stripping length	公插针 Male	订货号 Part Number	母插针 Female	订货号 Part Number	内孔 直径
no groove	0.5 mm ²	AWG 20	8.0m	DDM-0.5		DDF-0.5	1.15
1 groove	0.75 mm ²	AWG 18	8.0m	DDM-0.75		DDF-0.75	1.3
1 groove	1.0 mm ²	AWG 18	8.0m	DDM-1.0		DDF-1.0	1.45
2 groove	1.5 mm ²	AWG 16	8.0m	DDM-1.5		DDF-1.5	1.75
3 groove	2.5 mm ²	AWG 14	8.0m	DDM-2.5		DDF-2.5	2.25



工具 Tools

冷压钳 Manual hydraulic clamp



退针器 Removal tool



压接线径 Wire gauge	型号/Type	订货号/Part Number
0.5-4mm ²	CRIMPBOX-0.5/4	

适用类型 For	型号/Type	订货号/Part Number
10A 冷压针 Crimp contacts	REMOV-GD	

G10A外壳/ G10A with 1 lever on the hoods/housings



底部外壳安装开孔尺寸/Housing mounting dimensions PAGE/390

表面粉末镀层, RAL 7037 / Powder-coated, RAL 7037

防护等级Degree of protection: IP65

上壳 / Hoods

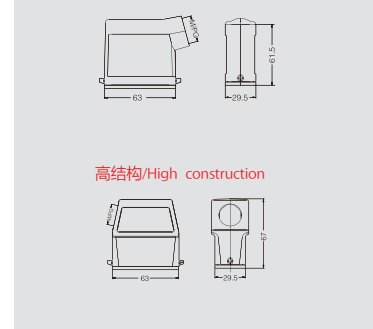
侧面进线 Side entry



螺纹 Thread	型号/Type	订货号 /Part Number
PG16	G10A-TS-RO-PG16	
M20	G10A-TS-RO-M20	



高结构/High construction		
PG21	G10A-TSH-RO-PG21	
M25	G10A-TSH-RO-M25	



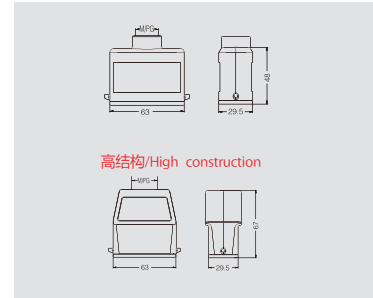
顶部进线: Top entry



螺纹 Thread	型号/Type	订货号 /Part Number
PG16	G10A-TG-RO-PG16	
M20	G10A-TG-RO-M20	



高结构/High construction		
PG21	G10A-TGH-RO-PG21	
M25	G10A-TGH-RO-M25	

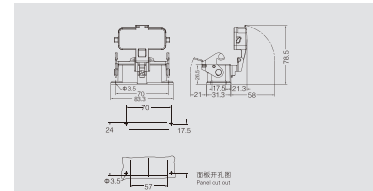


下壳底座 / Housings

外壳底座: 开孔安装 Bulkhead mounted housing



螺纹 Thread	型号/Type	订货号 /Part Number
	G10A-AG-LB	
	带保护盖 With protection cover	
	G10A-AD-LB	

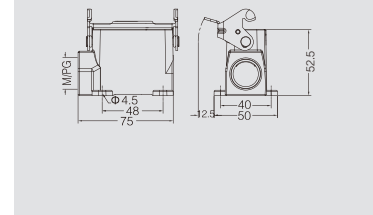


外壳底座: 表面安装 Surface mounting: Side entry



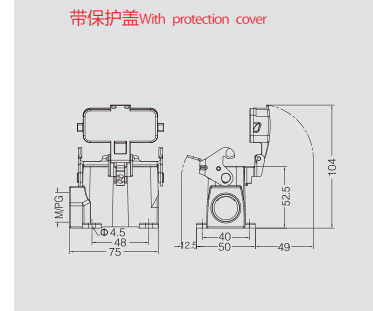
螺纹 Thread	型号/Type	订货号 /Part Number
1个进线孔1 Side entry		
PG16	G10A-SGR-LB-PG16	
M20	G10A-SGR-LB-M20	
PG21	G10A-SGR-LB-PG21	

2个进线孔2 Side entry		
PG16	G10A-SGR-LB-2PG16	
M20	G10A-SGR-LB-2M20	
PG21	G10A-SGR-LB-2PG21	



带保护盖 With protection cover		
1个进线孔1 Side entry		
PG16	G10A-SDR-LB-PG16	
PG21	G10A-SDR-LB-PG21	
M20	G10A-SDR-LB-M20	
M25	G10A-SDR-LB-M25	

2个进线孔2 Side entry		
PG16	G10A-SDR-LB-2PG16	
PG21	G10A-SDR-LB-2PG21	
M20	G10A-SDR-LB-2M20	
M25	G10A-SDR-LB-2M25	



GD-025接插体 / GD-025 inserts



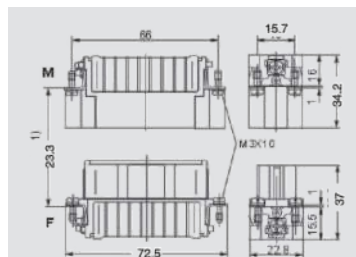
芯件适配用G16A外壳
 Inserts suit for G16A hoods/housing **25+** 250V max.10A

25+

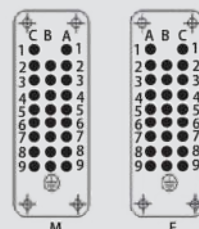
冷压针压接/Crimp terminal



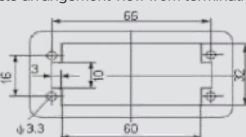
插芯/Inserts	型号/Type	订货号/Part Number
公 Male	GD-025-MC	
母 Female	GD-025-FC	



1)接插体之间最大距离24mm
 Distance for contact max.24mm



接插针排序
 Contacts arrangement view from termination side



板面安装开孔图
 Panel cut out for use without hoods/housings

冷压接插针 Crimp contacts

技术参数/Technical data

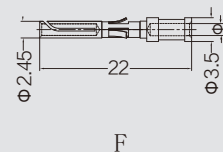
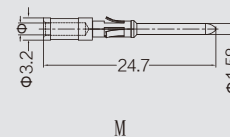
材料: 铜
 Material: copper
 接触电阻/Contact resistance: $\leq 3m\Omega$
 接线形式: 冷压工具压接
 Terminal: crimp connection

(镀银)冷压接插针/Crimp contacts.silver-platea

标识 Identification	线规 Wire gauge	剥线长度 Stripping length	公插针 Male	订货号 Part Number	母插针 Female	订货号 Part Number	内孔 直径
no groove	0.5 mm ²	AWG 20	8.0m	CDM-0.5	CDF-0.5		1.15
1 groove	0.75 mm ²	AWG 18	8.0m	CDM-0.75	CDF-0.75		1.3
1 groove	1.0 mm ²	AWG 18	8.0m	CDM-1.0	CDF-1.0		1.45
2 groove	1.5 mm ²	AWG 16	8.0m	CDM-1.5	CDF-1.5		1.75
3 groove	2.5 mm ²	AWG 14	8.0m	CDM-2.5	CDF-2.5		2.25

(镀金)冷压接插针/Crimp contacts.Gold-plated

标识 Identification	线规 Wire gauge	剥线长度 Stripping length	公插针 Male	订货号 Part Number	母插针 Female	订货号 Part Number	内孔 直径
no groove	0.5 mm ²	AWG 20	8.0m	DDM-0.5	DDF-0.5		1.15
1 groove	0.75 mm ²	AWG 18	8.0m	DDM-0.75	DDF-0.75		1.3
1 groove	1.0 mm ²	AWG 18	8.0m	DDM-1.0	DDF-1.0		1.45
2 groove	1.5 mm ²	AWG 16	8.0m	DDM-1.5	DDF-1.5		1.75
3 groove	2.5 mm ²	AWG 14	8.0m	DDM-2.5	DDF-2.5		2.25



工具 Tools

冷压钳 Manual hydraulic clamp



退针器 Removal tool



压接线径 Wire gauge	型号/Type	订货号/Part Number
0.5-4mm ²	CRIMPBOX-0.5/4	

适用类型 For	型号/Type	订货号/Part Number
10A 冷压针 Crimp contacts	REMOV-GD	

G16A外壳 / G16A with 1 lever on the hoods/housings

底部外壳安装开孔尺寸/Housing mounting dimensions PAGE/390

表面粉末镀层, RAL 7037 / Powder-coated, RAL 7037

防护等级Degree of protection:IP65

上壳 / Hoods

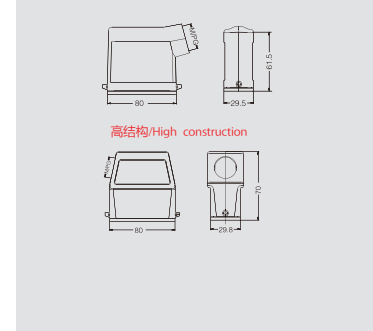
侧面进线 Side entry



螺纹 Thread	型号/Type	订货号 /Part Number
PG16	G16A-TS-RO-PG16	
M20	G16A-TS-RO-M20	



高结构/High construction		
PG21	G16A-TSH-RO-PG21	
M25	G16A-TSH-RO-M25	
M32	G16A-TSH-RO-M32	



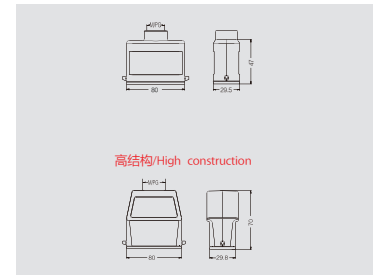
顶部进线: Top entry



螺纹 Thread	型号/Type	订货号 /Part Number
PG16	G16A-TG-RO-PG16	
M20	G16A-TG-RO-M20	



高结构/High construction		
PG21	G16A-TGH-RO-PG21	
M25	G16A-TGH-RO-M25	

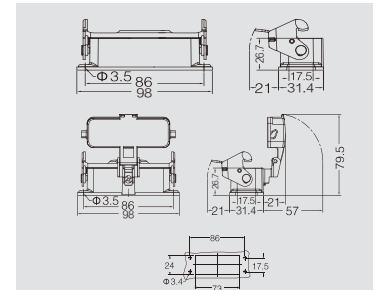


下壳底座 / Housings

外壳底座: 开孔安装 Bulkhead mounted housing



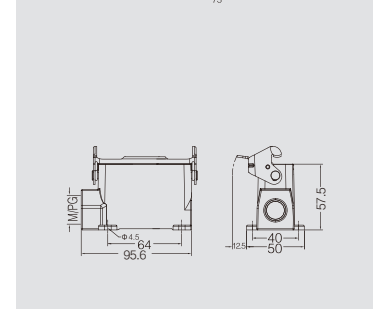
螺纹 Thread	型号/Type	订货号 /Part Number
	G16A-AG-LB	
	带保护盖 With protection cover	
	G16A-AD-LB	



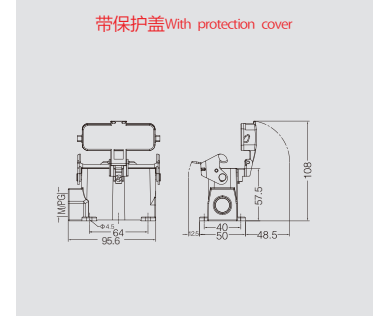
外壳底座: 表面安装 Surface mounting: Side entry



螺纹 Thread	型号/Type	订货号 /Part Number
1个进线孔1 Side entry		
PG16	G16A-SGR-LB-PG16	
M20	G16A-SGR-LB-M20	
M25	G16A-SGR-LB-M25	
PG21	G16A-SGR-LB-PG21	
2个进线孔2 Side entry		
PG16	G16A-SGR-LB-2PG16	
M20	G16A-SGR-LB-2M20	
M25	G16A-SGR-LB-2M25	
PG21	G16A-SGR-LB-2PG21	



带保护盖 With protection cover		
1个进线孔1 Side entry		
PG16	G16A-SDR-LB-PG16	
M20	G16A-SDR-LB-M20	
M25	G16A-SDR-LB-M25	
PG21	G16A-SDR-LB-PG21	
2个进线孔2 Side entry		
PG16	G16A-SDR-LB-2PG16	
PG21	G16A-SDR-LB-2PG21	
M20	G16A-SDR-LB-2M20	
M25	G16A-SDR-LB-2M25	



GD-040接插体 / GD-040 inserts



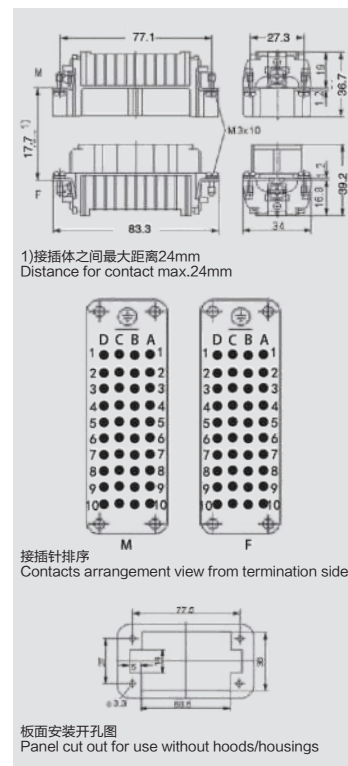
芯件适配用G16B外壳
 Inserts suit for G16B hoods/housing **40+** 250V max.10A

40+

冷压针压接/Crimp terminal



插芯/Inserts	型号/Type	订货号/Part Number
公 Male	GD-040-MC	
母 Female	GD-040-FC	



冷压接插针 Crimp contacts

技术参数/Technical data

材料: 铜

Material: copper

接触电阻/Contact resistance: $\leq 3m\Omega$

接线形式: 冷压工具压接

Terminal: crimp connection

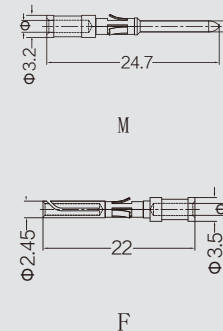


(镀银)冷压接插针/Crimp contacts.silver-platea

标识 Identification	线规 Wire gauge	剥线长度 Stripping length	公插针 Male	订货号 Part Number	母插针 Female	订货号 Part Number	内孔 直径
no groove	0.5 mm ²	AWG 20	8.0mm	CDM-0.5	CDF-0.5		1.15
1 groove	0.75 mm ²	AWG 18	8.0mm	CDM-0.75	CDF-0.75		1.3
1 groove	1.0 mm ²	AWG 18	8.0mm	CDM-1.0	CDF-1.0		1.45
2 groove	1.5 mm ²	AWG 16	8.0mm	CDM-1.5	CDF-1.5		1.75
3 groove	2.5 mm ²	AWG 14	8.0mm	CDM-2.5	CDF-2.5		2.25

(镀金)冷压接插针/Crimp contacts.Gold-plated

标识 Identification	线规 Wire gauge	剥线长度 Stripping length	公插针 Male	订货号 Part Number	母插针 Female	订货号 Part Number	内孔 直径
no groove	0.5 mm ²	AWG 20	8.0mm	DDM-0.5	DDF-0.5		1.15
1 groove	0.75 mm ²	AWG 18	8.0mm	DDM-0.75	DDF-0.75		1.3
1 groove	1.0 mm ²	AWG 18	8.0mm	DDM-1.0	DDF-1.0		1.45
2 groove	1.5 mm ²	AWG 16	8.0mm	DDM-1.5	DDF-1.5		1.75
3 groove	2.5 mm ²	AWG 14	8.0mm	DDM-2.5	DDF-2.5		2.25



工具 Tools

冷压钳 Manual hydraulic clamp



退针器 Removal tool



压接线径 Wire gauge	型号/Type	订货号/Part Number
0.5-4mm ²	CRIMPBOX-0.5/4	

适用类型 For	型号/Type	订货号/Part Number
10A 冷压针 Crimp contacts	REMOV-GD	

G16B 双扣外壳 /G16B with 2 lever on the hoods/housings



底部外壳安装开孔尺寸/Housing mounting dimensions PAGE/390

表面粉末镀层, RAL 7037 / Powder-coated, RAL 7037

防护等级 Degree of protection : IP65

上壳 / Hoods

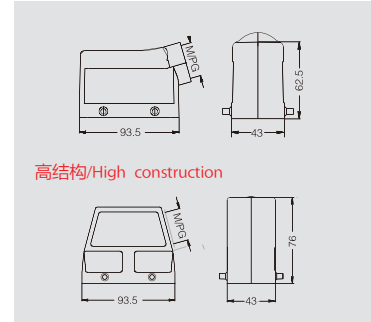
侧面进线 Side entry



螺纹 Thread	型号/Type	订货号 /Part Number
PG21	G16B-TS-PG21	
M25	G16B-TS-M25	
M32	G16B-TS-M32	



高结构/High construction		
PG21	G16B-TSH-PG21	
PG29	G16B-TSH-PG29	
M25	G16B-TSH-M25	
M32	G16B-TSH-M32	
M40	G16B-TSH-M40	



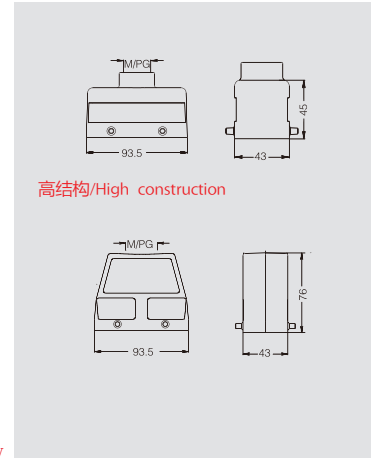
顶部进线 Top entry



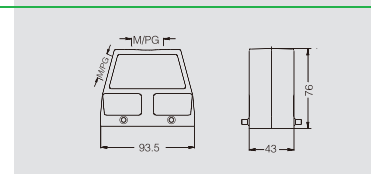
螺纹 Thread	型号/Type	订货号 /Part Number
PG21	G16B-TG-PG21	
M25	G16B-TG-M25	
M32	G16B-TG-M32	



高结构/High construction		
PG21	G16B-TGH-PG21	
PG29	G16B-TGH-PG29	
M25	G16B-TGH-M25	
M32	G16B-TGH-M32	
M40	G16B-TGH-M40	
2个进线孔 2 side entry		
PG16	G16B-TGH-2PG16	
PG21	G16B-TGH-2PG21	
M25	G16B-TGH-2M25	

上壳侧出线/顶出线
Hoods, side & top entry, high construction我司可提供顶部、侧面同时出线的非标品
We can provide non-standard products with both top & side entry

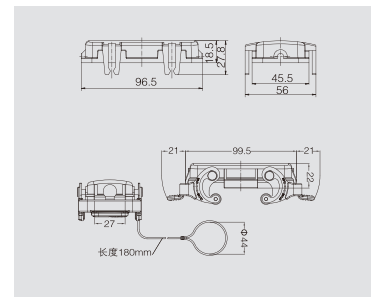
型号为:G16B-TSH/TGH-PG/M 如有需要请与我司联系



上壳保护盖 Protection covers for hoods



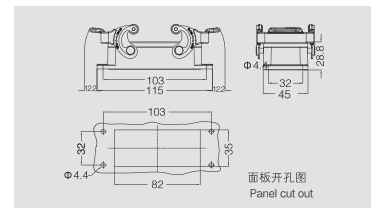
螺纹 Thread	型号/Type	订货号 /Part Number
	G16B-KDT	
带金属保护盖/With protection cover		
	金属盖/用于上壳 For hoods	
	G16B-KD T-LA-1	
	金属盖/用于下壳 For housings	
	G16B-KD T-LA-2	



下壳底座 / Housings

外壳底座:开孔安装
Bulkhead mounted

螺纹 Thread	型号/Type	订货号 /Part Number
	G16B-AG	



G16B 双扣外壳 /G16B with 2 lever on the hoods/housings



底部外壳安装开孔尺寸/Housing mounting dimensions PAGE/390

表面粉末镀层, RAL 7037 / Powder-coated, RAL 7037

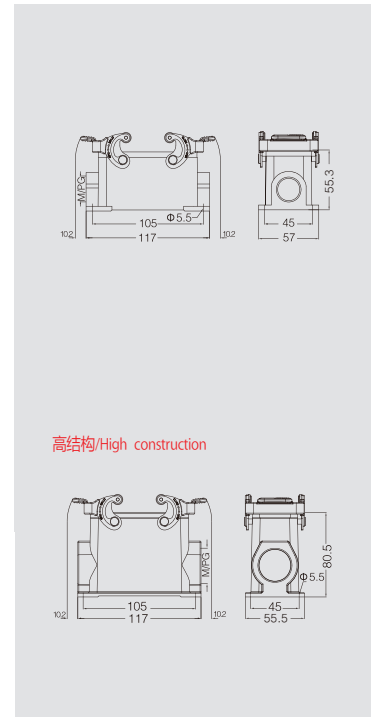
防护等级 Degree of protection : IP65

下壳底座 / Housings

外壳底座: 表面安装
Surface mounted: Side entry



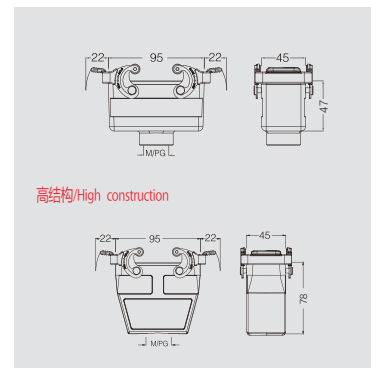
螺纹 Thread	型号/Type	订货号 /Part Number
1个进线孔 1 side entry		
PG21	G16B-SGR-PG21	
M25	G16B-SGR-M25	
2个进线孔 2 side entry		
PG21	G16B-SGR-2PG21	
M25	G16B-SGR-2M25	
高结构/High construction		
PG29	G16B-SGRH-PG29	
M32	G16B-SGRH-M32	
M40	G16B-SGRH-M40	
2个进线孔 2 side entry		
PG29	G16B-SGRH-2PG29	
M32	G16B-SGRH-2M32	
M40	G16B-SGRH-2M40	



电缆对接下壳 Cable-to-cable hood



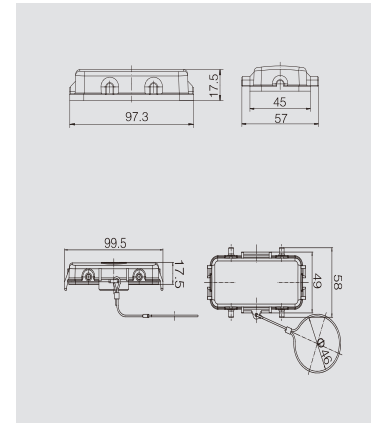
螺纹 Thread	型号/Type	订货号 /Part Number
PG21	G16B-TBF-PG21	
M25	G16B-TBF-M25	
M32	G16B-TBF-M32	
高结构/High construction		
PG21	G16B-TBFH-PG21	
PG29	G16B-TBFH-PG29	
M25	G16B-TBFH-M25	
M32	G16B-TBFH-M32	



底座保护盖 Housing protection cover



螺纹 Thread	型号/Type	订货号 /Part Number
	G16B-KDB	
金属保护盖 /With protection cover		
金属盖/用于上壳 For hoods		
	G16B-KDB-LA-1	
金属盖/用于下壳 For housings		
	G16B-KDB-LA-2	



G16B 双扣外壳 / G16B with 2 lever on the hoods/housings



底部外壳安装开孔尺寸/Housing mounting dimensions PAGE/390

表面粉末镀层, RAL 7037 / Powder-coated, RAL 7037

防护等级 Degree of protection : IP65

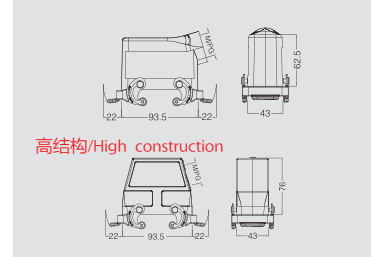
上壳 / Hoods

侧出带双扣下壳

Side entry housing with two levers



螺纹 Thread	型号/Type	订货号 /Part Number
PG21	G16B-TSB-PG21	
M25	G16B-TSB-M25	
M32	G16B-TSB-M32	
高结构/High construction		
PG21	G16B-TSBH-PG21	
PG29	G16B-TSBH-PG29	
M25	G16B-TSBH-M25	
M32	G16B-TSBH-M32	

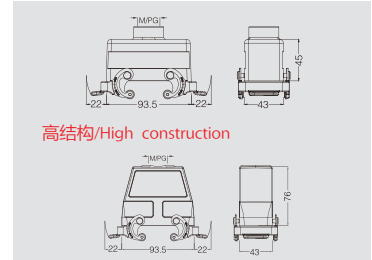


顶出带双扣下壳

Top entry housing with two levers



螺纹 Thread	型号/Type	订货号 /Part Number
PG21	G16B-TGB-PG21	
M25	G16B-TGB-M25	
M32	G16B-TGB-M32	
高结构/High construction		
PG21	G16B-TGBH-PG21	
PG29	G16B-TGBH-PG29	
M25	G16B-TGBH-M25	
M32	G16B-TGBH-M32	

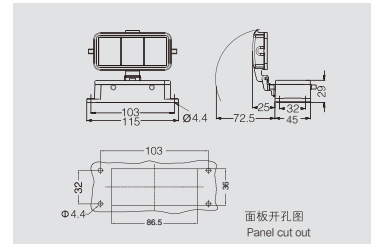


双扣带盖开孔底座

Bulkhead mounting with hoods



螺纹 Thread	型号/Type	订货号 /Part Number
	G16B-AG-BO	
带保护盖/with protection cover		
	G16B-AD-BO	
带金属保护盖/with protection cover		
	G16B-AD-AL-BO	



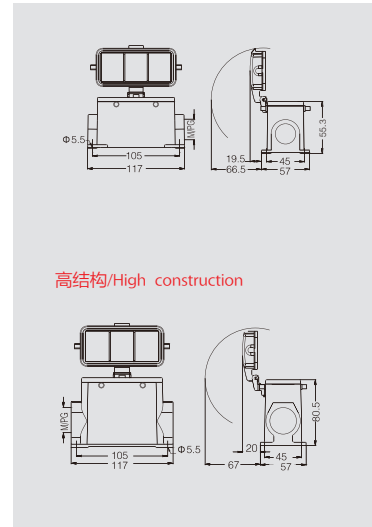
下壳底座 / Housings

双扣带盖表面安装底座

Surface mounting with hoods



螺纹 Thread	型号/Type	订货号 /Part Number
1个进线孔 1 side entry		
PG21	G16B-SDR-BO-PG21	
M25	G16B-SDR-BO-M25	
2个进线孔 2 side entry		
PG21	G16B-SDR-BO-2PG21	
M25	G16B-SDR-BO-2M25	
高结构/High construction		
1个进线孔 1 side entry		
PG21	G16B-SDRH-BO-PG21	
PG29	G16B-SDRH-BO-PG29	
M32	G16B-SDRH-BO-M32	
2个进线孔 2 side entry		
PG21	G16B-SDRH-BO-2PG21	
PG29	G16B-SDRH-BO-2PG29	
M32	G16B-SDRH-BO-2M32	



G16B单扣外壳 /G16B with 1 lever on the hoods/housings



底部外壳安装开孔尺寸/Housing mounting dimensions PAGE/390

表面粉末镀层, RAL 7037 / Powder-coated, RAL 7037

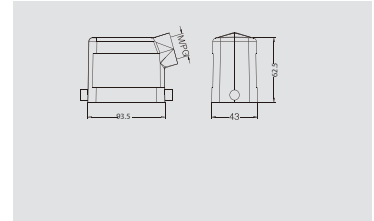
防护等级 Degree of protection : IP65

上壳 / Hoods

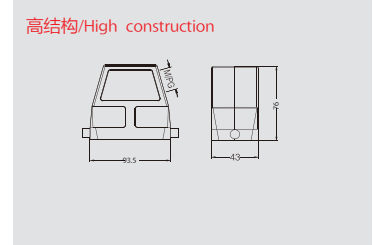
侧面进线 Side entry



螺纹 Thread	型号/Type	订货号 /Part Number
PG21	G16B-TS-RO-PG21	
M25	G16B-TS-RO-M25	
M32	G16B-TS-RO-M32	



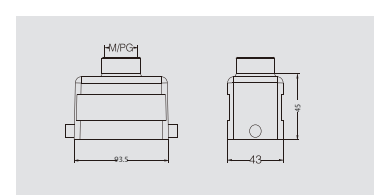
高结构/High construction		
PG21	G16B-TSH-RO-PG21	
PG29	G16B-TSH-RO-PG29	
M25	G16B-TSH-RO-M25	
M32	G16B-TSH-RO-M32	
M40	G16B-TSH-RO-M40	



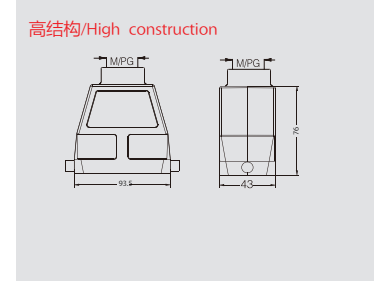
顶部进线 Top entry



螺纹 Thread	型号/Type	订货号 /Part Number
PG21	G16B-TG-RO-PG21	
M25	G16B-TG-RO-M25	
M32	G16B-TG-RO-M32	



高结构/High construction		
PG21	G16B-TGH-RO-PG21	
PG29	G16B-TGH-RO-PG29	
M25	G16B-TGH-RO-M25	
M32	G16B-TGH-RO-M32	
M40	G16B-TGH-RO-M40	

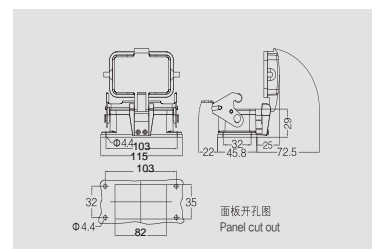


下壳底座 / Housings

外壳底座: 开孔安装 Bulkhead mounted



螺纹 Thread	型号/Type	订货号 /Part Number
	G16B-AG-LB	
	带保护盖/with protection cover	
	G16B-AD-LB	
	上壳保护盖/protection cover	
	G16B-KDT-LB	



G16B单扣外壳 / G16B with 1 lever on the hoods/housings

底部外壳安装开孔尺寸/Housing mounting dimensions PAGE/390

表面粉末镀层, RAL 7037 / Powder-coated, RAL 7037

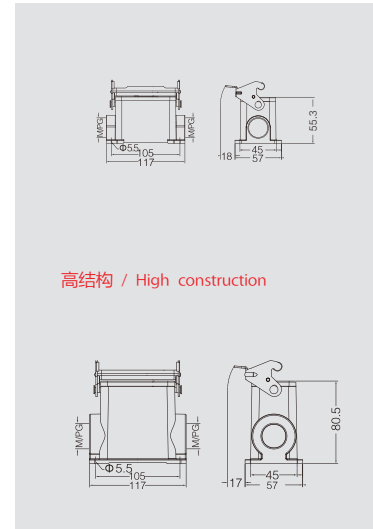
防护等级 Degree of protection : IP65

下壳底座 / Housings

外壳底座: 表面安装
Surface mounted: Side entry



螺纹 Thread	型号/Type	订货号 /Part Number
1个进线孔1 side entry		
PG21	G16B-SGR-LB-PG21	
M25	G16B-SGR-LB-M25	
2个进线孔2 side entry		
2PG21	G16B-SGR-LB-2PG21	
2M25	G16B-SGR-LB-2M25	
高结构 / High construction		
1个进线孔1 side entry		
PG21	G16B-SGRH-LB-PG21	
PG29	G16B-SGRH-LB-PG29	
M32	G16B-SGRH-LB-M32	
2个进线孔2 side entry		
PG21	G16B-SGRH-LB-2PG21	
PG29	G16B-SGRH-LB-2PG29	
M32	G16B-SGRH-LB-2M32	

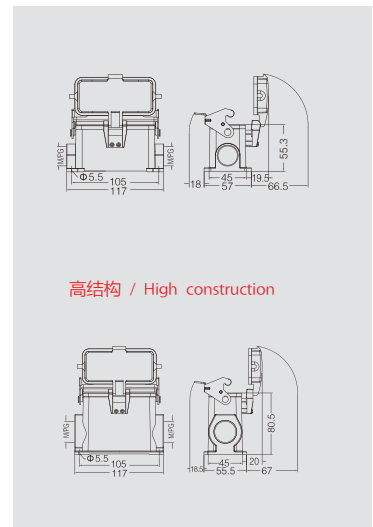


下壳底座 / Housings

带盖表面安装底座 Surface mounting



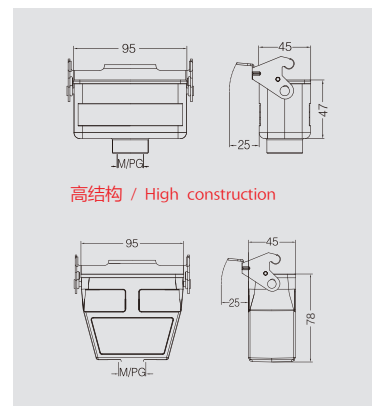
螺纹 Thread	型号/Type	订货号 /Part Number
1个进线孔1 side entry		
PG21	G16B-SDR-LB-PG21	
M25	G16B-SDR-LB-M25	
2个进线孔2 side entry		
2PG21	G16B-SDR-LB-2PG21	
2M25	G16B-SDR-LB-2M25	
高结构 / High construction		
1个进线孔1 side entry		
PG21	G16B-SDRH-LB-PG21	
PG29	G16B-SDRH-LB-PG29	
M32	G16B-SDRH-LB-M32	
2个进线孔2 side entry		
PG21	G16B-SDRH-LB-2PG21	
PG29	G16B-SDRH-LB-2PG29	
M32	G16B-SDRH-LB-2M32	



电缆对接下壳 Cable-to-cable hood



螺纹 Thread	型号/Type	订货号 /Part Number
PG21	G16B-TBF-LB-PG21	
M25	G16B-TBF-LB-M25	
M32	G16B-TBF-LB-M32	
高结构 / High construction		
PG21	G16B-TBFH-LB-PG21	
PG29	G16B-TBFH-LB-PG29	
M32	G16B-TBFH-LB-M32	
M40	G16B-TBFH-LB-M40	



G16B 耐腐蚀外壳 Metal Hoods & Housings For higher environmental requirements



底部外壳安装开孔尺寸/Housing mounting dimensions PAGE/390

表面粉末镀层, RAL 9005 / Powder-coated, RAL 9005

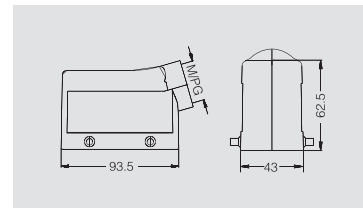
防护等级 Degree of protection : IP65

上壳 / Hoods

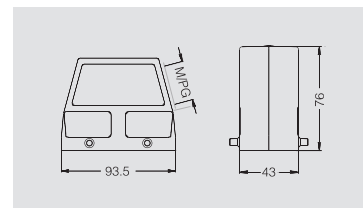
侧面进线 Side entry



螺纹 Thread	型号/Type	订货号 /Part Number
PG21	G16B-TS-M-PG21	
M25	G16B-TS-M-M25	

侧出线高结构
side entry, high construction

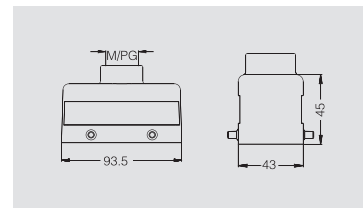
螺纹 Thread	型号/Type	订货号 /Part Number
PG29	G16B-TSH-M-PG29	
M32	G16B-TSH-M-M32	
M40	G16B-TSH-M-M40	



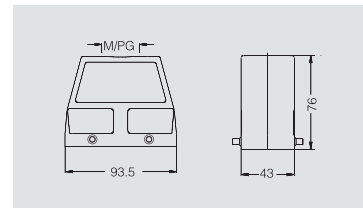
顶部进线 Top entry



螺纹 Thread	型号/Type	订货号 /Part Number
PG21	G16B-TG-M-PG21	
M25	G16B-TG-M-M25	

顶出线高结构
top entry, high construction

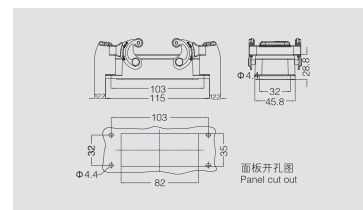
螺纹 Thread	型号/Type	订货号 /Part Number
PG29	G16B-TGH-M-PG29	
M32	G16B-TGH-M-M32	



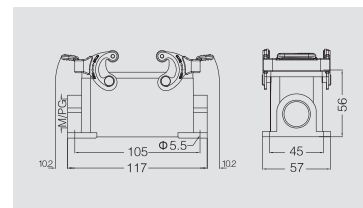
下壳底座 / Housings

外壳底座: 开孔安装
Bulkhead mounted

螺纹 Thread	型号/Type	订货号 /Part Number
---	G16B-AG-M	

外壳底座: 表面安装
Surface mounted: Side entry

螺纹 Thread	型号/Type	订货号 /Part Number
PG21	G16B-SGR-M-PG21	
M25	G16B-SGR-M-M25	



G16B耐腐蚀外壳 Metal Hoods & Housings For higher environmental requirements

底部外壳安装开孔尺寸/Housing mounting dimensions PAGE/390

表面粉末镀层, RAL 9005 / Powder-coated, RAL 9005

防护等级 Degree of protection : IP65

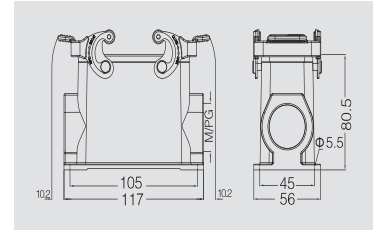
下壳底座 / Housings

封底下壳高结构

Housings, surface mounting, high construction



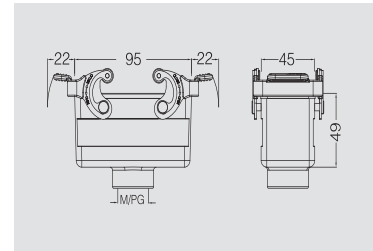
螺纹 Thread	型号/Type	订货号 /Part Number
2PG29	G16B-SGRH-M-2PG29	
2M32	G16B-SGRH-M-2M32	
2M40	G16B-SGRH-M-2M40	



电缆对接下壳 Cable-to-cable hood



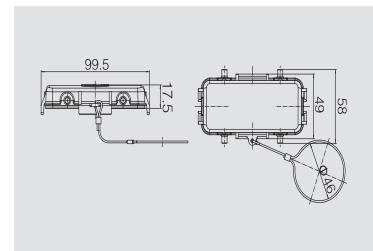
螺纹 Thread	型号/Type	订货号 /Part Number
PG21	G16B-TBF-M-PG21	



底座保护盖 Housing protection cover



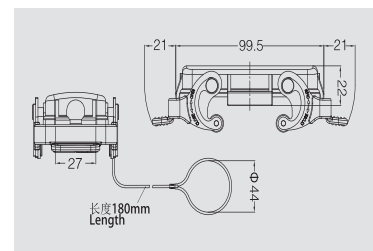
螺纹 Thread	型号/Type	订货号 /Part Number
	金属盖/用于上壳 For hoods	
	G16B-KDB-LA-M-1	
	金属盖/用于下壳 For housings	
	G16B-KDB-LA-M-2	



上壳保护盖 Protection covers for hoods



螺纹 Thread	型号/Type	订货号 /Part Number
	金属盖/用于上壳 For hoods	
	G16B-KDT-LA-M-1	
	金属盖/用于下壳 For housings	
	G16B-KDT-LA-M-2	



GD-050接插体 / GD-050 inserts



芯件适配用G32A外壳

Inserts suit for G32A hoods/housing **50+** 250V max.10A (25X2)

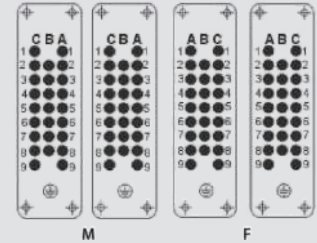
50+

冷压针压接/Crimp terminal

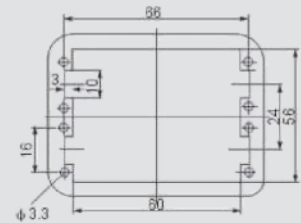


插芯/Inserts	型号/Type	订货号/Part Number
公 Male	GD-025-MC(1-25)	
母 Female	GD-025-FC(1-25)	
公 Male	GD-025-MC(26-50)	
母 Female	GD-025-FC(26-50)	

外形尺寸图见GD-025D
dimensions for inserts see GD-025



接插针排序
Contacts arrangement view from termination side



板面安装开孔图
Panel cut out for use without hoods/housings

冷压接插针 Crimp contacts

技术参数/Technical data

材料: 铜

Material: copper

接触电阻/Contact resistance: $\leq 3m\Omega$

接线形式: 冷压工具压接

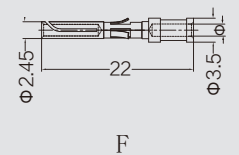
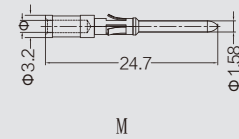
Terminal: crimp connection

(镀银)冷压接插针/Crimp contacts.silver-platea

标识 Identification	线规 Wire gauge	剥线长度 Stripping length	公插针 Male	订货号 Part Number	母插针 Female	订货号 Part Number	内孔直径
no groove	0.5 mm ²	AWG 20	8.0m m	CDM-0.5	CDF-0.5		1.15
1 groove	0.75 mm ²	AWG 18	8.0m m	CDM-0.75	CDF-0.75		1.3
1 groove	1.0 mm ²	AWG 18	8.0m m	CDM-1.0	CDF-1.0		1.45
2 groove	1.5 mm ²	AWG 16	8.0m m	CDM-1.5	CDF-1.5		1.75
3 groove	2.5 mm ²	AWG 14	8.0m m	CDM-2.5	CDF-2.5		2.25

(镀金)冷压接插针/Crimp contacts.Gold-plated

标识 Identification	线规 Wire gauge	剥线长度 Stripping length	公插针 Male	订货号 Part Number	母插针 Female	订货号 Part Number	内孔直径
no groove	0.5 mm ²	AWG 20	8.0m m	DDM-0.5	DDF-0.5		1.15
1 groove	0.75 mm ²	AWG 18	8.0m m	DDM-0.75	DDF-0.75		1.3
1 groove	1.0 mm ²	AWG 18	8.0m m	DDM-1.0	DDF-1.0		1.45
2 groove	1.5 mm ²	AWG 16	8.0m m	DDM-1.5	DDF-1.5		1.75
3 groove	2.5 mm ²	AWG 14	8.0m m	DDM-2.5	DDF-2.5		2.25



工具 Tools

冷压钳 Manual hydraulic clamp



退针器 Removal tool



压接线径 Wire gauge	型号/Type	订货号/Part Number
0.5-4mm ²	CRIMPBOX-0.5/4	

适用类型 For	型号/Type	订货号/Part Number
10A 冷压针 Crimp contacts	REMOV-GD	

G32A外壳 / G32A with 2 lever on the hoods/housings



底部外壳安装开孔尺寸/Housing mounting dimensions PAGE/390

表面粉末镀层, RAL 7037 / Powder-coated, RAL 7037

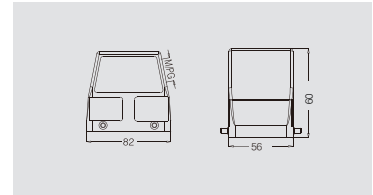
防护等级Degree of protection: IP65

上壳 / Hoods

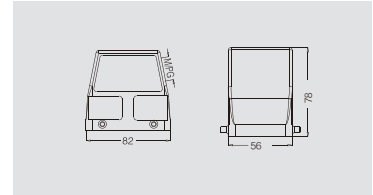
侧面进线 Side entry



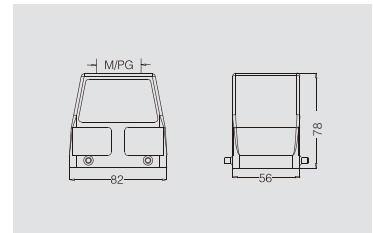
螺纹 Thread	型号/Type	订货号 /Part Number
PG21	G32A-TSS-PG21	
M25	G32A-TSS-M25	



螺纹 Thread	型号/Type	订货号 /Part Number
PG21	G32A-TS-PG21	
PG29	G32A-TS-PG29	
M25	G32A-TS-M25	
M32	G32A-TS-M32	

外壳上壳: 顶部进线
Hood: Top entry

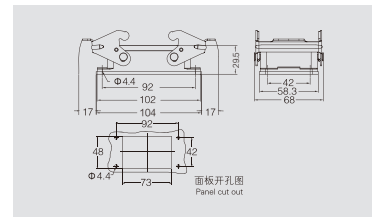
螺纹 Thread	型号/Type	订货号 /Part Number
PG21	G32A-TG-PG21	
PG29	G32A-TG-PG29	
M25	G32A-TG-M25	
M32	G32A-TG-M32	
M40	G32A-TG-M40	



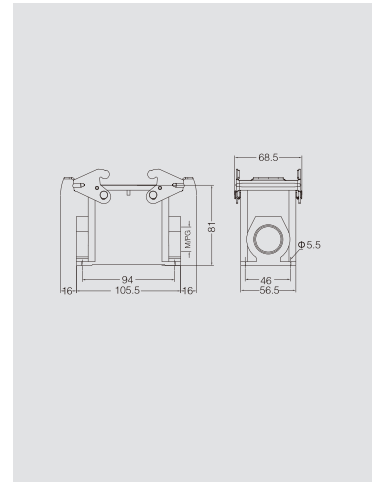
下壳底座 / Housings

外壳底座: 开孔安装
Bulkhead mounted housing

螺纹 Thread	型号/Type	订货号 /Part Number
	G32A-AG	

外壳底座: 表面安装
Surface mounting: Side entry

螺纹 Thread	型号/Type	订货号 /Part Number
1个进线孔1 Side entry		
PG21	G32A-SGR-PG21	
PG29	G32A-SGR-PG29	
M25	G32A-SGR-M25	
M32	G32A-SGR-M32	
2个进线孔2 Side entry		
PG21	G32A-SGR-2PG21	
PG29	G32A-SGR-2PG29	
M25	G32A-SGR-2M25	
M32	G32A-SGR-2M32	



G32A外壳 / G32A with 2 lever on the hoods/housings



底部外壳安装开孔尺寸/Housing mounting dimensions PAGE/390

表面粉末镀层, RAL 7037 / Powder-coated, RAL 7037

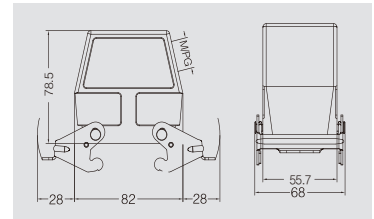
防护等级Degree of protection: IP65

上壳 / Hoods

侧面进线 Side entry



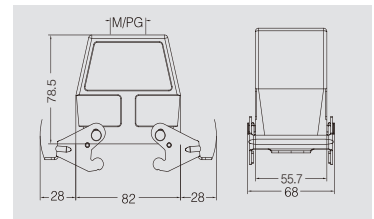
螺纹 Thread	型号/Type	订货号 /Part Number
PG21	G32A-TSB-PG21	
PG29	G32A-TSB-PG29	
M25	G32A-TSB-M25	
M32	G32A-TSB-M32	



外壳上壳: 顶部进线
Hood: Top entry



螺纹 Thread	型号/Type	订货号 /Part Number
PG21	G32A-TGB-PG21	
PG29	G32A-TGB-PG29	
M25	G32A-TGB-M25	
M32	G32A-TGB-M32	
M40	G32A-TGB-M40	

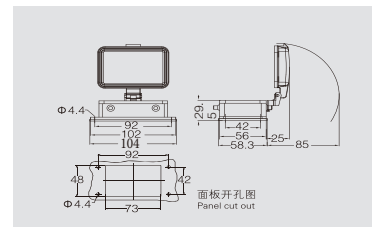


下壳底座 / Housings

外壳底座: 开孔安装
Bulkhead mounted housing



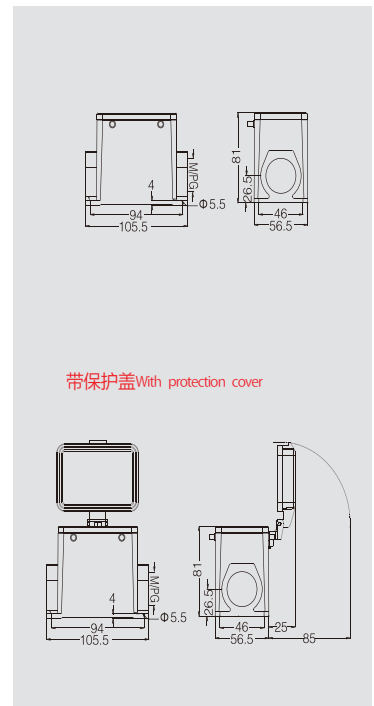
螺纹 Thread	型号/Type	订货号 /Part Number
	G32A-AG-BO	
	带保护盖 With protection cover	
	G32A-AD-BO	



外壳底座: 表面安装
Surface mounting: Side entry



螺纹 Thread	型号/Type	订货号 /Part Number
1个进线孔 1 Side entry		
PG21	G32A-SGR-BO-PG21	
PG29	G32A-SGR-BO-PG29	
M25	G32A-SGR-BO-M25	
M32	G32A-SGR-BO-M32	
2个进线孔 2 Side entry		
PG21	G32A-SGR-BO-2PG21	
PG29	G32A-SGR-BO-2PG29	
M25	G32A-SGR-BO-2M25	
M32	G32A-SGR-BO-2M32	
带保护盖 With protection cover		
1个进线孔 1 Side entry		
PG21	G32A-SDR-BO-PG21	
PG29	G32A-SDR-BO-PG29	
M25	G32A-SDR-BO-M25	
M32	G32A-SDR-BO-M32	
2个进线孔 2 Side entry		
PG21	G32A-SDR-BO-2PG21	
PG29	G32A-SDR-BO-2PG29	
M25	G32A-SDR-BO-2M25	
M32	G32A-SDR-BO-2M32	



GD-064接插体 /GD-064 inserts



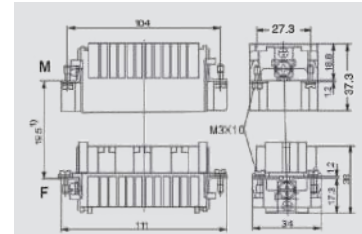
芯件适配用G24B外壳
 Inserts suit for G24B hoods/housing **64+** 250V max.10A

64+

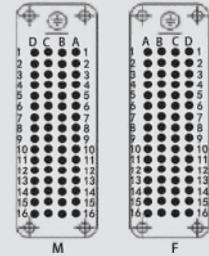
冷压针压接/Crimp terminal



插芯/Inserts	型号/Type	订货号/Part Number
公 Male	GD-064-MC	
母 Female	GD-064-FC	



1)接插体之间最大距离21mm
 Distance for contact max.21mm



接插针排序
 Contacts arrangement view from termination side



板面安装开孔图
 Panel cut out for use without hoods/housings

冷压接插针 Crimp contacts

技术参数/Technical data

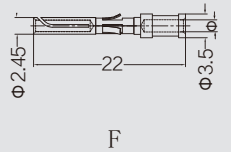
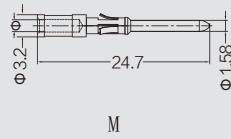
材料: 铜
 Material: copper
 接触电阻/Contact resistance: $\leq 3m\Omega$
 接线形式: 冷压工具压接
 Terminal: crimp connection

(镀银)冷压接插针/Crimp contacts.silver-platea

标识 Identification	线规 Wire gauge	剥线长度 Stripping length	公插针 Male	订货号 Part Number	母插针 Female	订货号 Part Number	内孔直径
no groove	0.5 mm ²	AWG 20	8.0m m	CDM-0.5	CDF-0.5		1.15
1 groove	0.75 mm ²	AWG 18	8.0m m	CDM-0.75	CDF-0.75		1.3
1 groove	1.0 mm ²	AWG 18	8.0m m	CDM-1.0	CDF-1.0		1.45
2 groove	1.5 mm ²	AWG 16	8.0m m	CDM-1.5	CDF-1.5		1.75
3 groove	2.5 mm ²	AWG 14	8.0m m	CDM-2.5	CDF-2.5		2.25

(镀金)冷压接插针/Crimp contacts.Gold-plated

标识 Identification	线规 Wire gauge	剥线长度 Stripping length	公插针 Male	订货号 Part Number	母插针 Female	订货号 Part Number	内孔直径
no groove	0.5 mm ²	AWG 20	8.0m m	DDM-0.5	DDF-0.5		1.15
1 groove	0.75 mm ²	AWG 18	8.0m m	DDM-0.75	DDF-0.75		1.3
1 groove	1.0 mm ²	AWG 18	8.0m m	DDM-1.0	DDF-1.0		1.45
2 groove	1.5 mm ²	AWG 16	8.0m m	DDM-1.5	DDF-1.5		1.75
3 groove	2.5 mm ²	AWG 14	8.0m m	DDM-2.5	DDF-2.5		2.25



工具 Tools

冷压钳 Manual hydraulic clamp



压接线经 Wire gauge	型号/Type	订货号/Part Number
0.5-4mm ²	CRIMPBOX-0.5/4	

退针器 Removal tool



适用类型 For	型号/Type	订货号/Part Number
10A 冷压针 Crimp contacts	REMOV-GD	

G24B 双扣外壳 /G24B with 2 lever on the hoods/housings



底部外壳安装开孔尺寸/Housing mounting dimensions PAGE/390

表面粉末镀层, RAL 7037 / Powder-coated, RAL 7037

防护等级 Degree of protection : IP65

上壳 / Hoods

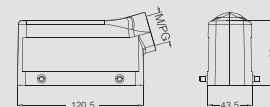
侧面进线 Side entry



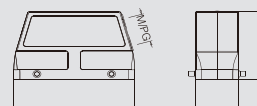
螺纹 Thread	型号/Type	订货号 /Part Number
PG21	G24B-TS-PG21	
M25	G24B-TS-M25	
M32	G24B-TS-M32	

高结构/High construction

PG21	G24B-TSH-PG21	
PG29	G24B-TSH-PG29	
M25	G24B-TSH-M25	
M32	G24B-TSH-M32	
M40	G24B-TSH-M40	



高结构/High construction



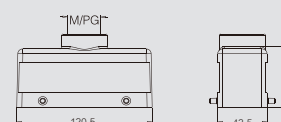
顶部进线 Top entry



螺纹 Thread	型号/Type	订货号 /Part Number
PG21	G24B-TG-PG21	
M25	G24B-TG-M25	
M32	G24B-TG-M32	

高结构/High construction

PG21	G24B-TGH-PG21	
PG29	G24B-TGH-PG29	
M25	G24B-TGH-M25	
M32	G24B-TGH-M32	
M40	G24B-TGH-M40	



高结构/High construction



2个进线孔 2 side entry



PG16	G24B-TGH-2PG16	
PG21	G24B-TGH-2PG21	
M25	G24B-TGH-2M25	

上壳侧出线/顶出线
Hoods,side&top entry,high construction

我司可提供顶部、侧面同时出线的非标品
We can provide non-standard products with both top&side entry

型号为:G24B-TSH/TGH-PG/M 如有需要请与我司联系



上壳保护盖 Protection covers for hoods



螺纹 Thread	型号/Type	订货号 /Part Number
	G24B-KDT	

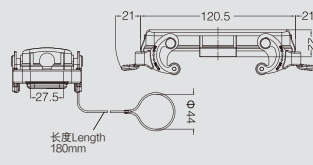
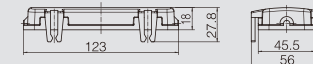
带金属保护盖/With protection cover

金属盖/用于上壳 For hoods

	G24B-KDT-LA-1	
--	---------------	--

金属盖/用于下壳 For housings

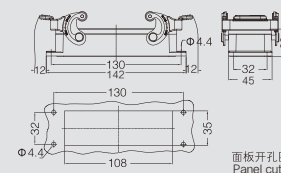
	G24B-KDT-LA-2	
--	---------------	--



下壳底座 / Housings

外壳底座开孔安装
Bulkhead mounted

螺纹 Thread	型号/Type	订货号 /Part Number
	G24B-AG	



G24B 双扣外壳 /G24B with 2 lever on the hoods/housings



底部外壳安装开孔尺寸/Housing mounting dimensions PAGE/390

表面粉末镀层, RAL 7037 / Powder-coated, RAL 7037

防护等级 Degree of protection : IP65

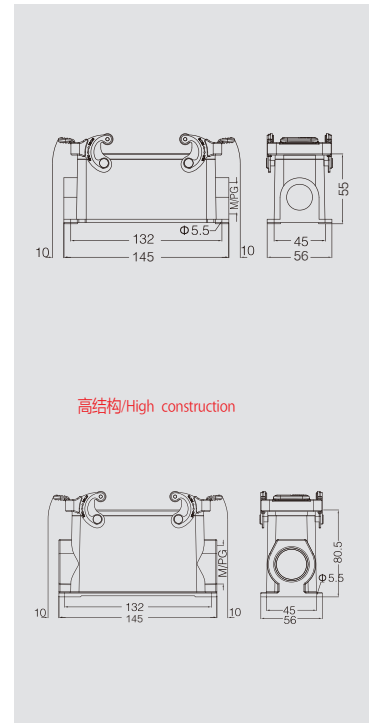
下壳底座 / Housings

外壳底座: 表面安装

Surface mounted: Side entry



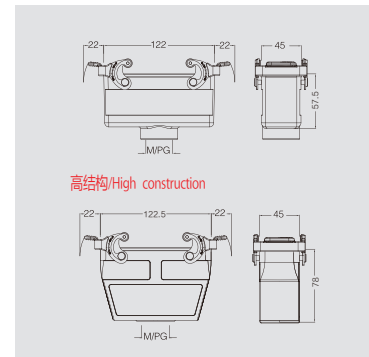
螺纹 Thread	型号/Type	订货号 /Part Number
1个进线孔 1 side entry		
PG21	G24B-SGR-PG21	
M25	G24B-SGR-M25	
2个进线孔 2 side entry		
PG21	G24B-SGR-2PG21	
M25	G24B-SGR-2M25	
高结构/High construction		
PG21	G24B-SGRH-PG21	
PG29	G24B-SGRH-PG29	
M32	G24B-SGRH-M32	
M40	G24B-SGRH-M40	
2个进线孔 2 side entry		
PG21	G24B-SGRH-2PG21	
PG29	G24B-SGRH-2PG29	
M32	G24B-SGRH-2M32	
M40	G24B-SGRH-2M40	



电缆对接外壳 Cable-to-cable hood



螺纹 Thread	型号/Type	订货号 /Part Number
PG21	G24B-TBF-PG21	
M25	G24B-TBF-M25	
M32	G24B-TBF-M32	
高结构/High construction		
PG21	G24B-TBFH-PG21	
PG29	G24B-TBFH-PG29	
M32	G24B-TBFH-M32	
M40	G24B-TBFH-M40	

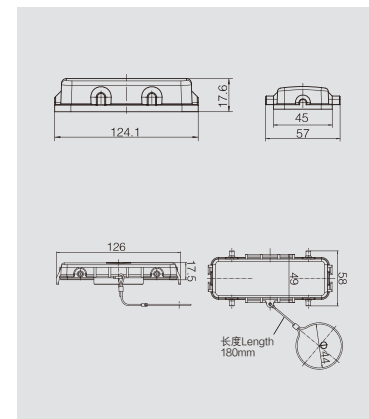


底座保护盖

Housing protection cover



螺纹 Thread	型号/Type	订货号 /Part Number
	G24B-KDB	
金属保护盖 /With protection cover		
---	金属盖/用于上壳 For hoods	
	G24B-KDB-LA-1	
金属盖/用于下壳 For housings		
	G24B-KDB-LA-2	



G24B 双扣外壳 /G24B with 2 lever on the hoods/housings



底部外壳安装开孔尺寸/Housing mounting dimensions PAGE/390

表面粉末镀层, RAL 7037 / Powder-coated, RAL 7037

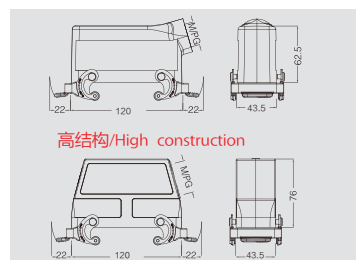
防护等级 Degree of protection : IP65

上壳 / Hoods

侧出带双扣下壳
Side entry housing with two levers



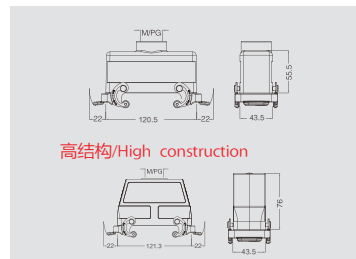
螺纹 Thread	型号/Type	订货号 /Part Number
PG21	G24B-TSB-PG21	
M25	G24B-TSB-M25	
M32	G24B-TSB-M32	
高结构/High construction		
PG21	G24B-TSBH-PG21	
PG29	G24B-TSBH-PG29	
M25	G24B-TSBH-M25	
M32	G24B-TSBH-M32	
M40	G24B-TSBH-M40	



顶出带双扣下壳
Top entry housing with two levers



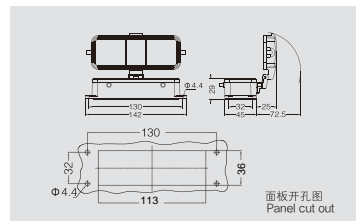
螺纹 Thread	型号/Type	订货号 /Part Number
PG21	G24B-TGB-PG21	
M25	G24B-TGB-M25	
M32	G24B-TGB-M32	
高结构/High construction		
PG21	G24B-TGBH-PG21	
PG29	G24B-TGBH-PG29	
M25	G24B-TGBH-M25	
M32	G24B-TGBH-M32	
M40	G24B-TGBH-M40	



双扣带盖开孔底座
Bulkhead mounting with hoods



螺纹 Thread	型号/Type	订货号 /Part Number
	G24B-AG-BO	
带保护盖/with protection cover		
	G24B-AD-BO	
带金属保护盖/with protection cover		
	G24B-AD-LA-BO	

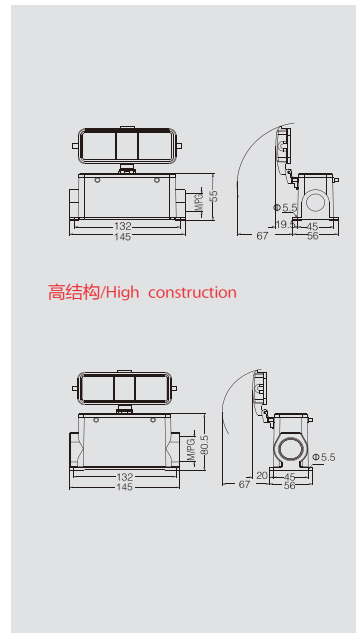


下壳底座 / Housings

双扣带盖表面安装底座
Surface mounting with hoods



螺纹 Thread	型号/Type	订货号 /Part Number
带保护盖/with protection cover		
1个进线孔 1 side entry		
PG21	G24B-SDR-BO-PG21	
M25	G24B-SDR-BO-M25	
2个进线孔 2 side entry		
PG21	G24B-SDR-BO-2PG21	
M25	G24B-SDR-BO-2M25	
高结构/High construction		
1个进线孔 1 side entry		
PG21	G24B-SDRH-BO-PG21	
PG29	G24B-SDRH-BO-PG29	
M32	G24B-SDRH-BO-M32	
M40	G24B-SDRH-BO-M40	
2个进线孔 2 side entry		
PG21	G24B-SDRH-BO-2PG21	
PG29	G24B-SDRH-BO-2PG29	
M32	G24B-SDRH-BO-2M32	
M40	G24B-SDRH-BO-2M40	



G24B单扣外壳 /G24B with 1 lever on the hoods/housings



底部外壳安装开孔尺寸/Housing mounting dimensions PAGE/390

表面粉末镀层, RAL 7037 / Powder-coated, RAL 7037

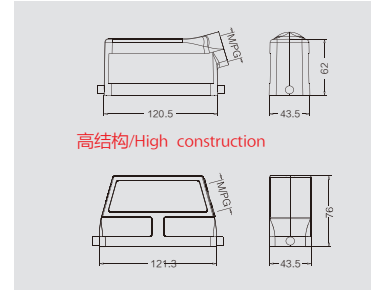
防护等级 Degree of protection : IP65

上壳 / Hoods

侧面进线 Side entry



螺纹 Thread	型号/Type	订货号 /Part Number
PG21	G24B-TS-RO-PG21	
M25	G24B-TS-RO-M25	
M32	G24B-TS-RO-M32	
高结构/High construction		
PG21	G24B-TSH-RO-PG21	
PG29	G24B-TSH-RO-PG29	
M25	G24B-TSH-RO-M25	
M32	G24B-TSH-RO-M32	
M40	G24B-TSH-RO-M40	

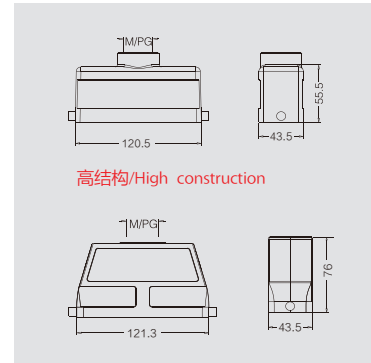


高结构/High construction

顶部进线 Top entry



螺纹 Thread	型号/Type	订货号 /Part Number
PG21	G24B-TG-RO-PG21	
PG29	G24B-TG-RO-PG29	
M25	G24B-TG-RO-M25	
M32	G24B-TG-RO-M32	
高结构/High construction		
PG21	G24B-TGH-RO-PG21	
PG29	G24B-TGH-RO-PG29	
PG36	G24B-TGH-RO-PG36	
M25	G24B-TGH-RO-M25	
M32	G24B-TGH-RO-M32	
M40	G24B-TGH-RO-M40	



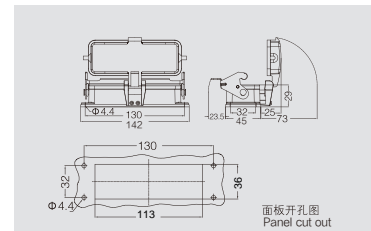
高结构/High construction

下壳底座 / Housings

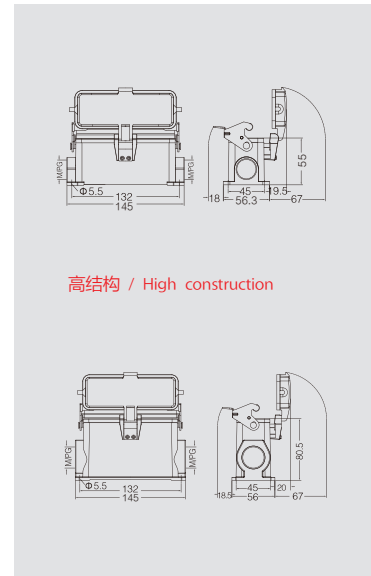
外壳底座: 开孔安装 Bulkhead mounted



螺纹 Thread	型号/Type	订货号 /Part Number
	G24B-AG-LB	
带保护盖/ith protection cover		
	G24B-AD-LB	
上壳保护盖/protection cover		
	G24B-KDT-LB	

面板开孔图
Panel cut out外壳底座: 表面安装
Surface mounted: Side entry

螺纹 Thread	型号/Type	订货号 /Part Number
1个进线孔1 side entry		
PG21	G24B-SGR-LB-PG21	
M25	G24B-SGR-LB-M25	
2个进线孔2 side entry		
2PG21	G24B-SGR-LB-2PG21	
2M25	G24B-SGR-LB-2M25	
高结构 / High construction		
1个进线孔1 side entry		
PG21	G24B-SGRH-LB-PG21	
PG29	G24B-SGRH-LB-PG29	
M32	G24B-SGRH-LB-M32	
M40	G24B-SGRH-LB-M40	
2个进线孔2 side entry		
PG21	G24B-SGRH-LB-2PG21	
PG29	G24B-SGRH-LB-2PG29	
M32	G24B-SGRH-LB-2M32	
M40	G24B-SGRH-LB-2M40	



高结构 / High construction

G24B单扣外壳 /G24B with 1 lever on the hoods/housings



底部外壳安装开孔尺寸/Housing mounting dimensions PAGE/390

表面粉末镀层, RAL 7037 / Powder-coated, RAL 7037

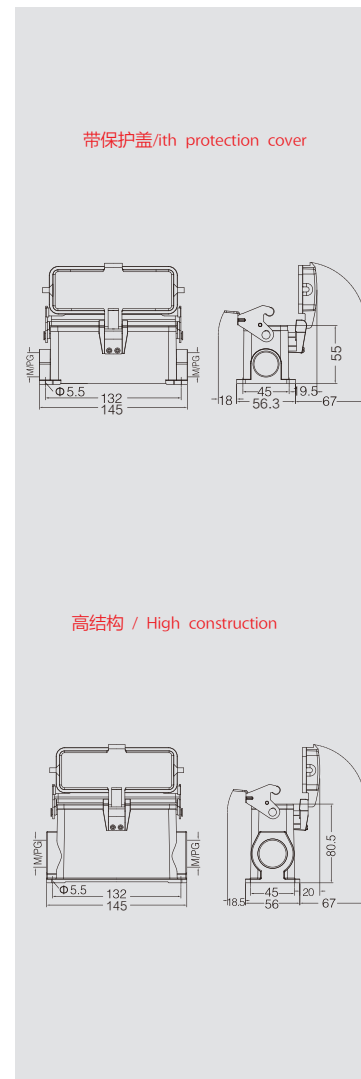
防护等级 Degree of protection : IP65

上壳 / Hoods

带盖表面安装底座 Surface mounting



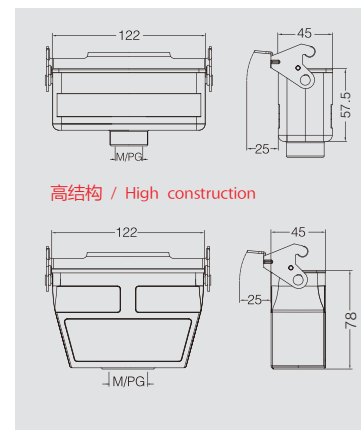
螺纹 Thread	型号/Type	订货号 /Part Number
带保护盖/With protection cover		
1个进线孔1 side entry		
PG21	G24B-SDR-LB-PG21	
M25	G24B-SDR-LB-M25	
2个进线孔2 side entry		
2PG21	G24B-SDR-LB-2PG21	
2M25	G24B-SDR-LB-2M25	
高结构 / High construction		
1个进线孔1 side entry		
PG21	G24B-SDRH-LB-PG21	
PG29	G24B-SDRH-LB-PG29	
M32	G24B-SDRH-LB-M32	
2个进线孔2 side entry		
PG21	G24B-SDRH-LB-2PG21	
PG29	G24B-SDRH-LB-2PG29	
M32	G24B-SDRH-LB-2M32	
带金属保护盖/With metal protective cover		
1个进线孔1 side entry		
PG21	G24B-SDR-LB-LA-PG21	
M25	G24B-SDR-LB-LA-M25	
2个进线孔2 side entry		
2PG21	G24B-SDR-LB-LA-2PG21	
2M25	G24B-SDR-LB-LA-2M25	
高结构 / High construction		
1个进线孔1 side entry		
PG21	G24B-SDRH-LB-LA-PG21	
PG29	G24B-SDRH-LB-LA-PG29	
M32	G24B-SDRH-LB-LA-M32	
2个进线孔2 side entry		
PG21	G24B-SDRH-LB-LA-2PG21	
PG29	G24B-SDRH-LB-LA-2PG29	
M32	G24B-SDRH-LB-LA-2M32	



电缆对接下壳 Cable-to-cable hood



螺纹 Thread	型号/Type	订货号 /Part Number
PG21	G24B-TBF-LB-PG21	
PG29	G24B-TBF-LB-PG29	
M25	G24B-TBF-LB-M25	
M32	G24B-TBF-LB-M32	
高结构 / High construction		
PG21	G24B-TBFH-LB-PG21	
PG29	G24B-TBFH-LB-PG29	
M32	G24B-TBFH-LB-M32	
M40	G24B-TBFH-LB-M40	



G24B 耐腐蚀外壳 Metal Hoods & Housings For higher environmental requirements



底部外壳安装开孔尺寸/Housing mounting dimensions PAGE/390

表面粉末镀层, RAL 9005 / Powder-coated, RAL 9005

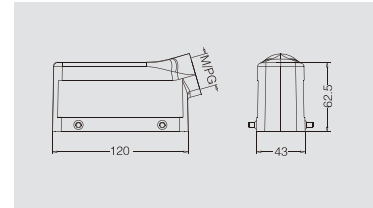
防护等级 Degree of protection : IP65

上壳 / Hoods

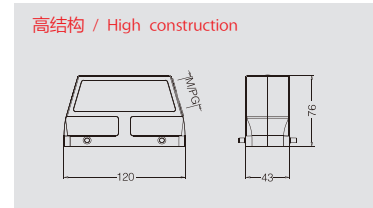
侧出线 side entry



螺纹 Thread	型号/Type	订货号 /Part Number
PG21	G24B-TS-M-PG21	
M25	G24B-TS-M-M25	

侧出线高结构
side entry, high construction

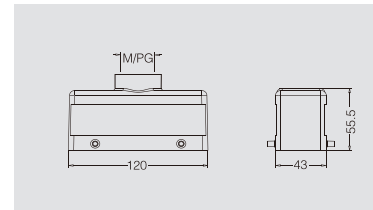
螺纹 Thread	型号/Type	订货号 /Part Number
高结构 / High construction		
PG29	G24B-TSH-M-PG29	
M32	G24B-TSH-M-M32	
M40	G24B-TSH-M-M40	



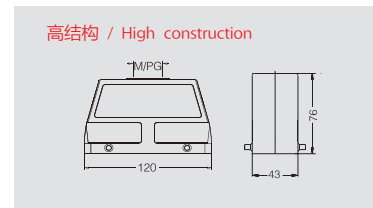
顶出线 top entry



螺纹 Thread	型号/Type	订货号 /Part Number
PG21	G24B-TG-M-PG21	
M25	G24B-TG-M-M25	

顶出线高结构
top entry, high construction

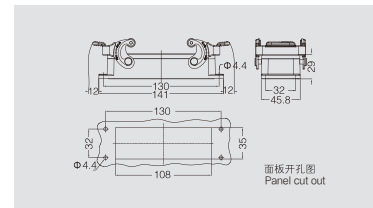
螺纹 Thread	型号/Type	订货号 /Part Number
高结构 / High construction		
PG29	G24B-TGH-M-PG29	
M32	G24B-TGH-M-M32	



下壳底座 / Housings

不封底下壳
Housings, bulkhead mounting

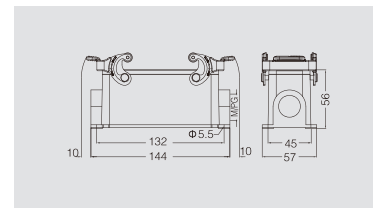
螺纹 Thread	型号/Type	订货号 /Part Number
---	G24B-AG-M	



封底下壳 Housings, surface mounting



螺纹 Thread	型号/Type	订货号 /Part Number
PG21	G24B-SGR-M-PG21	
M25	G24B-SGR-M-M25	



G24B耐腐蚀外壳 Metal Hoods & Housings For higher environmental requirements



底部外壳安装开孔尺寸/Housing mounting dimensions PAGE/390

表面粉末镀层, RAL 9005 / Powder-coated, RAL 9005

防护等级 Degree of protection : IP65

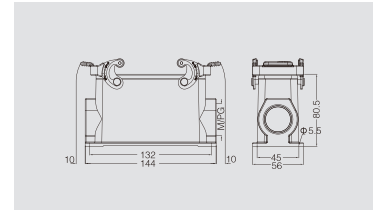
下壳底座 / Housings

封底下壳高结构

Housings, surface mounting, high construction



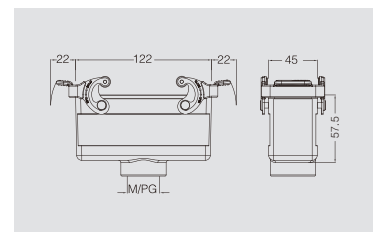
螺纹 Thread	型号/Type	订货号 /Part Number
2PG29	G24B-SGRH-M-2PG29	
2M32	G24B-SGRH-M-2M32	
2M40	G24B-SGRH-M-2M40	



电缆对接下壳 Cable-to-cable hood



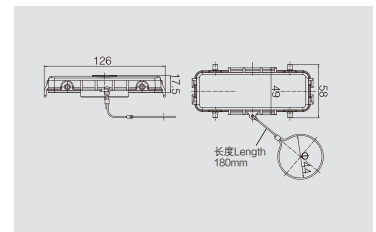
螺纹 Thread	型号/Type	订货号 /Part Number
PG21	G24B-TBF-M-PG21	



底座保护盖 Housing protection cover



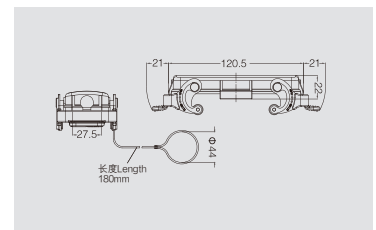
螺纹 Thread	型号/Type	订货号 /Part Number
	金属盖/用于上壳 For hoods	
	G24B-KDB-LA-M-1	
	金属盖/用于下壳 For housings	
	G24B-KDB-LA-M-2	



上壳保护盖 Protection covers for hoods



螺纹 Thread	型号/Type	订货号 /Part Number
	金属盖/用于上壳 For hoods	
	G24B-KDT-LA-M-1	
	金属盖/用于下壳 For housings	
	G24B-KDT-LA-M-2	



GD-080接插体 / GD-080 inserts



芯件适配用G32B外壳

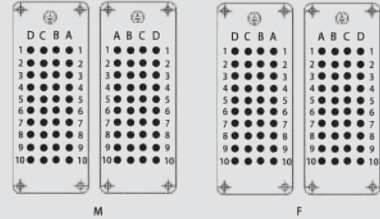
Inserts suit for G32B hoods/housing **80+** 250V max.10A (40X2)

80+

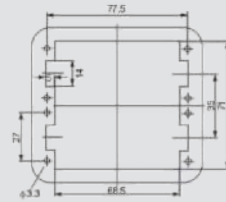
冷压针压接/Crimp terminal



插芯/Inserts	型号/Type	订货号/Part Number
公 Male	GD-040-MC(1-40)	
母 Female	GD-040-FC(1-40)	
公 Male	GD-040-MC(41-80)	
母 Female	GD-040-FC(41-80)	



接插针排序
Contacts arrangement view from termination side



板面安装开孔图
Panel cut out for use without hoods/housings

E

冷压接插针 Crimp contacts

技术参数/Technical data

材料: 铜

Material: copper

接触电阻/Contact resistance: $\leq 3m\Omega$

接线形式: 冷压工具压接

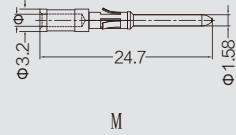
Terminal: crimp connection

(镀银)冷压接插针/Crimp contacts.silver-platea

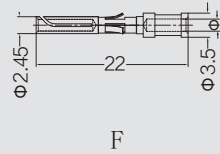
标识 Identification	线规 Wire gauge	剥线长度 Stripping length	公插针 Male	订货号 Part Number	母插针 Female	订货号 Part Number	内孔 直径
no groove	0.5 mm ²	AWG 20	8.0m m	CDM-0.5		CDF-0.5	1.15
1 groove	0.75 mm ²	AWG 18	8.0m m	CDM-0.75		CDF-0.75	1.3
1 groove	1.0 mm ²	AWG 18	8.0m m	CDM-1.0		CDF-1.0	1.45
2 groove	1.5 mm ²	AWG 16	8.0m m	CDM-1.5		CDF-1.5	1.75
3 groove	2.5 mm ²	AWG 14	8.0m m	CDM-2.5		CDF-2.5	2.25

(镀金)冷压接插针/Crimp contacts.Gold-plated

标识 Identification	线规 Wire gauge	剥线长度 Stripping length	公插针 Male	订货号 Part Number	母插针 Female	订货号 Part Number	内孔 直径
no groove	0.5 mm ²	AWG 20	8.0m m	DDM-0.5		DDF-0.5	1.15
1 groove	0.75 mm ²	AWG 18	8.0m m	DDM-0.75		DDF-0.75	1.3
1 groove	1.0 mm ²	AWG 18	8.0m m	DDM-1.0		DDF-1.0	1.45
2 groove	1.5 mm ²	AWG 16	8.0m m	DDM-1.5		DDF-1.5	1.75
3 groove	2.5 mm ²	AWG 14	8.0m m	DDM-2.5		DDF-2.5	2.25



M



F



工具 Tools

冷压钳 Manual hydraulic clamp



退针器 Removal tool



压接线径 Wire gauge	型号/Type	订货号/Part Number
0.5-4mm ²	CRIMBOX-0.5/4	

适用类型 For	型号/Type	订货号/Part Number
10A 冷压针 Crimp contacts	REMOV-GD	

G32B带双扣外壳/G32B with 2 lever on the hoods/housings



底部外壳安装开孔尺寸/Housing mounting dimensions PAGE/390

表面粉末镀层, RAL 7037 / Powder-coated, RAL 7037

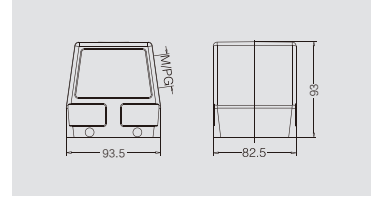
注:上壳高结构和低结构是通用型结构

上壳 / Hoods

外壳上壳: 侧面进线 Hood: Side entry



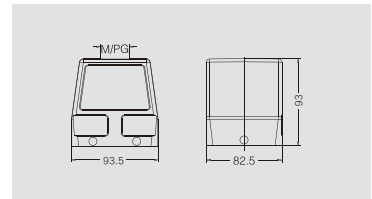
螺纹 Thread	型号/Type	订货号 /Part Number
PG29	G32B-TS-PG29	
PG36	G32B-TS-PG36	
PG42	G32B-TS-PG42	
M32	G32B-TS-M32	
M40	G32B-TS-M40	
M50	G32B-TS-M50	



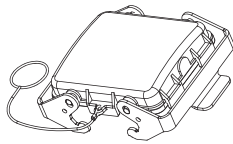
外壳上壳: 顶部进线 Hood: Top entry



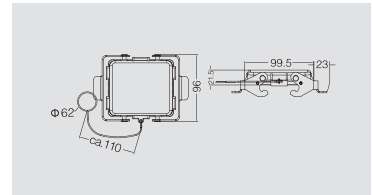
螺纹 Thread	型号/Type	订货号 /Part Number
PG29	G32B-TG-PG29	
PG36	G32B-TG-PG36	
PG42	G32B-TG-PG42	
M32	G32B-TG-M32	
M40	G32B-TG-M40	
M50	G32B-TG-M50	



上壳保护盖 Protection covers for hoods



螺纹 Thread	型号/Type	订货号 /Part Number
	G32B-KDT-LA-1	

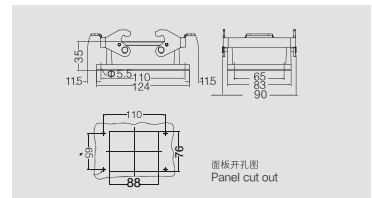


下壳底座 / Housings

外壳底座: 开孔安装 Bulkhead mounted: Bottom entry



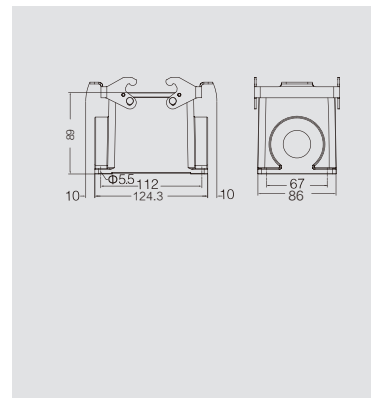
螺纹 Thread	型号/Type	订货号 /Part Number
	G32B-AG	



外壳底座: 表面安装 Surface mounted: Side entry



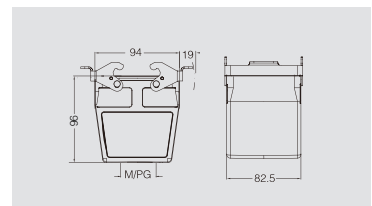
螺纹 Thread	型号/Type	订货号 /Part Number
1个进线孔1 side entry		
PG29	G32B-SGR-PG29	
PG36	G32B-SGR-PG36	
PG42	G32B-SGR-PG42	
M32	G32B-SGR-M32	
M40	G32B-SGR-M40	
2个进线孔2 side entry		
PG29	G32B-SGR-2PG29	
PG36	G32B-SGR-2PG36	
PG42	G32B-SGR-2PG42	
M32	G32B-SGR-2M32	
M40	G32B-SGR-2M40	



电缆对接下壳 Cable-to-cable hood



螺纹 Thread	型号/Type	订货号 /Part Number
PG29	G32B-TBF-PG29	
PG36	G32B-TBF-PG36	
PG42	G32B-TBF-PG42	
M32	G32B-TBF-M32	
M40	G32B-TBF-M40	
M50	G32B-TBF-M50	



G32B带双扣外壳/G32B with 2 lever on the hoods/housings



底部外壳安装开孔尺寸/Housing mounting dimensions PAGE/390

表面粉末镀层, RAL 7037 / Powder-coated, RAL 7037

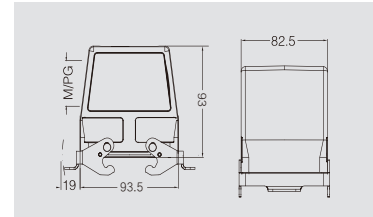
注:上壳高结构和低结构是通用型结构

上壳 / Hoods

外壳上壳: 侧面进线 Hood: Side entry



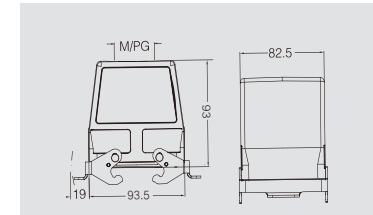
螺纹 Thread	型号/Type	订货号 /Part Number
PG29	G32B-TSB-PG29	
M32	G32B-TSB-M32	



开孔安装 Bulkhead mounted



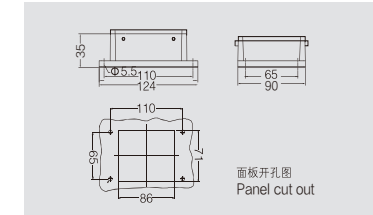
螺纹 Thread	型号/Type	订货号 /Part Number
PG29	G32B-TGB-PG29	
PG36	G32B-TGB-PG36	
PG42	G32B-TGB-PG42	
M32	G32B-TGB-M32	
M40	G32B-TGB-M40	
M50	G32B-TGB-M50	



开孔安装 Bulkhead mounted



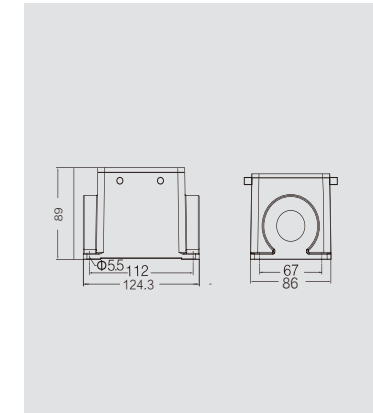
螺纹 Thread	型号/Type	订货号 /Part Number
	G32B-AG-BO	



开孔安装 Bulkhead mounted



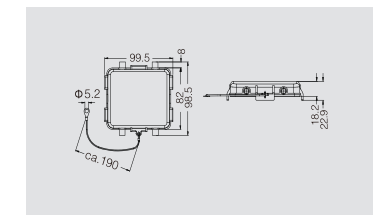
螺纹 Thread	型号/Type	订货号 /Part Number
1个进线孔1 side entry		
PG29	G32B-SGR-BO-PG29	
PG36	G32B-SGR-BO-PG36	
PG42	G32B-SGR-BO-PG42	
M32	G32B-SGR-BO-M32	
M40	G32B-SGR-BO-M40	
2个进线孔2 side entry		
PG29	G32B-SGR-BO-2PG29	
PG36	G32B-SGR-BO-2PG36	
PG42	G32B-SGR-BO-2PG42	
M32	G32B-SGR-BO-2M32	
M40	G32B-SGR-BO-2M40	



底座保护盖



螺纹 Thread	型号/Type	订货号 /Part Number
	G32B-KDB-LA-2	



G32B带单扣外壳 / G32B with 1 lever on the hoods/housings



底部外壳安装开孔尺寸/Housing mounting dimensions PAGE/390

表面粉末镀层, RAL 7037 / Powder-coated, RAL 7037

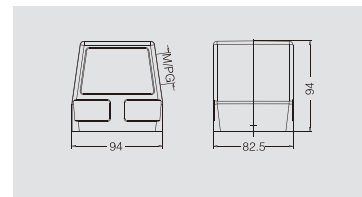
注:上壳高结构和低结构是通用型结构

上壳 / Hoods

外壳上壳: 侧面进线 Hood: Side entry



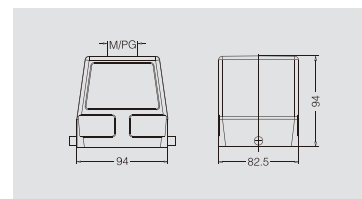
螺纹 Thread	型号/Type	订货号 /Part Number
PG29	G32B-TS-RO-PG29	
PG36	G32B-TS-RO-PG36	
PG42	G32B-TS-RO-PG42	
M32	G32B-TS-RO-M32	
M40	G32B-TS-RO-M40	
M50	G32B-TS-RO-M50	



外壳上壳: 顶部进线 Hood: Top entry



螺纹 Thread	型号/Type	订货号 /Part Number
PG29	G32B-TG-RO-PG29	
PG36	G32B-TG-RO-PG36	
PG42	G32B-TG-RO-PG42	
M32	G32B-TG-RO-M32	
M40	G32B-TG-RO-M40	
M50	G32B-TG-RO-M50	

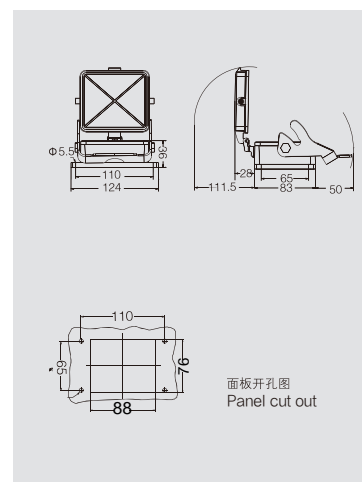


下壳底座 / Housings

外壳底座: 开孔安装 Bulkhead mounted: Bottom entry



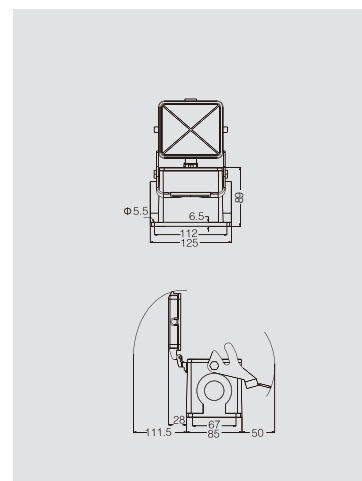
螺纹 Thread	型号/Type	订货号 /Part Number
	G32B-AG-LB	
	带保护盖/With protection cover	
	G32B-AD-LB	



外壳底座: 表面安装 Surface mounted: Side entry



螺纹 Thread	型号/Type	订货号 /Part Number
	1个进线孔1 side entry	
	PG29 G32B-SGR-LB-PG29	
	M32 G32B-SGR-LB-M32	
	2个进线孔2 side entry	
	PG29 G32B-SGR-LB-2PG29	
	M32 G32B-SGR-LB-2M32	
	带保护盖/With protection cover	
	1个进线孔1 side entry	
	PG29 G32B-SDR-LB-PG29	
	M32 G32B-SDR-LB-M32	
	2个进线孔2 side entry	
	PG29 G32B-SDR-LB-2PG29	
	M32 G32B-SDR-LB-2M32	



GD-128接插体 / GD-128 inserts



芯件适用G48B外壳

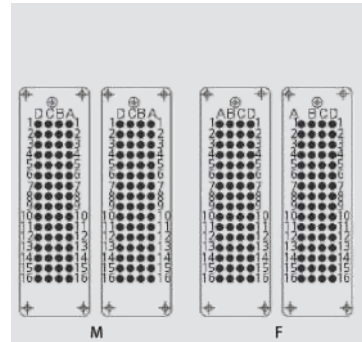
Inserts suit for G48B hoods/housing **128+** 250V max.10A (64X2)

128+

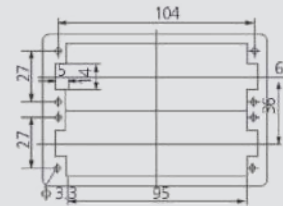
冷压针压接/Crimp terminal



插芯/Inserts	型号/Type	订货号/Part Number
公 Male	GD-064-MC(1-64)	
母 Female	GD-064-FC(1-64)	
公 Male	GD-064-MC(64-128)	
母 Female	GD-040-FC(64-128)	



接插针排序
Contacts arrangement view from termination side



板面安装开孔图
Panel cut out for use without hoods/housings

E

冷压接插针 Crimp contacts

技术参数/Technical data

材料: 铜

Material: copper

接触电阻/Contact resistance: $\leq 3m\Omega$

接线形式: 冷压工具压接

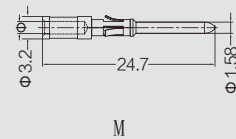
Terminal: crimp connection

(镀银)冷压接插针/Crimp contacts.silver-platea

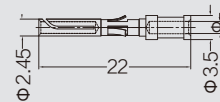
标识 Identification	线规 Wire gauge	剥线长度 Stripping length	公插针 Male	订货号 Part Number	母插针 Female	订货号 Part Number	内孔直径
no groove	0.5 mm ²	AWG 20	8.0m m	CDM-0.5		CDF-0.5	1.15
1 groove	0.75 mm ²	AWG 18	8.0m m	CDM-0.75		CDF-0.75	1.3
1 groove	1.0 mm ²	AWG 18	8.0m m	CDM-1.0		CDF-1.0	1.45
2 groove	1.5 mm ²	AWG 16	8.0m m	CDM-1.5		CDF-1.5	1.75
3 groove	2.5 mm ²	AWG 14	8.0m m	CDM-2.5		CDF-2.5	2.25

(镀金)冷压接插针/Crimp contacts.Gold-plated

标识 Identification	线规 Wire gauge	剥线长度 Stripping length	公插针 Male	订货号 Part Number	母插针 Female	订货号 Part Number	内孔直径
no groove	0.5 mm ²	AWG 20	8.0m m	DDM-0.5		DDF-0.5	1.15
1 groove	0.75 mm ²	AWG 18	8.0m m	DDM-0.75		DDF-0.75	1.3
1 groove	1.0 mm ²	AWG 18	8.0m m	DDM-1.0		DDF-1.0	1.45
2 groove	1.5 mm ²	AWG 16	8.0m m	DDM-1.5		DDF-1.5	1.75
3 groove	2.5 mm ²	AWG 14	8.0m m	DDM-2.5		DDF-2.5	2.25



M



F



工具 Tools

冷压钳 Manual hydraulic clamp



压接线径 Wire gauge	型号/Type	订货号/Part Number
0.5-4mm ²	CRIMPBOX-0.5/4	

退针器 Removal tool



适用类型 For	型号/Type	订货号/Part Number
10A 冷压针 Crimp contacts	REMOV-GD	

G48B外壳 / G48B hoods/housings



底部外壳安装开孔尺寸/Housing mounting dimensions PAGE/390

表面粉末镀层, RAL 7037 / Powder-coated, RAL 7037

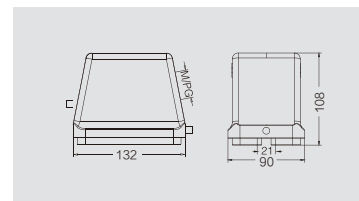
防护等级 Degree of protection : IP65

上壳 / Hoods

侧面进线 Hood: Side entry



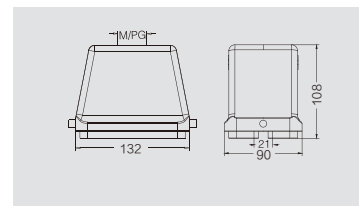
螺纹 Thread	型号/Type	订货号 /Part Number
PG29	G48B-TS-RO-PG29	
PG36	G48B-TS-RO-PG36	
PG42	G48B-TS-RO-PG42	
M32	G48B-TS-RO-M32	
M40	G48B-TS-RO-M40	
M50	G48B-TS-RO-M50	



外壳上壳: 顶部进线 Hood: Top entry



螺纹 Thread	型号/Type	订货号 /Part Number
PG29	G48B-TG-RO-PG29	
PG36	G48B-TG-RO-PG36	
PG42	G48B-TG-RO-PG42	
M32	G48B-TG-RO-M32	
M40	G48B-TG-RO-M40	
M50	G48B-TG-RO-M50	

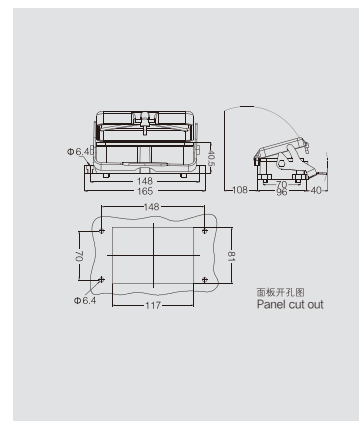


下壳底座 / Housings

外壳底座: 开孔安装
Bulkhead mounted: Bottom entry



螺纹 Thread	型号/Type	订货号 /Part Number
	G48B-AG-LB	1234567890
	带保护盖/With protection cover	
	G48B-AD-LB	1234567890



外壳底座: 表面安装
Surface mounted: Side entry



螺纹 Thread	型号/Type	订货号 /Part Number
	1个进线孔1 side entry	
	PG29	G48B-SGR-LB-PG29
	PG36	G48B-SGR-LB-PG36
	M32	G48B-SGR-LB-M32
	M40	G48B-SGR-LB-M40
	2个进线孔2 side entry	
	PG29	G48B-SGR-LB-2PG29
	PG36	G48B-SGR-LB-2PG36
	M32	G48B-SGR-LB-2M32
	M40	G48B-SGR-LB-2M40
	带保护盖/With protection cover	
	1个进线孔1 side entry	
	PG29	G48B-SDR-LB-PG29
	PG36	G48B-SDR-LB-PG36
	M32	G48B-SDR-LB-M32
	M40	G48B-SDR-LB-M40
	2个进线孔2 side entry	
	PG29	G48B-SDR-LB-2PG29
	PG36	G48B-SDR-LB-2PG36
	M32	G48B-SDR-LB-2M32
	M40	G48B-SDR-LB-2M40

